

StcValve®

余姚 司徒气动元件有限公司

气动元件 流体阀 Valves & Pneumatic Components

快速接头
Push-In
Fittings

气源处理器
Filter-
Regulator-
Lubricator

方向电磁阀
气控阀
Solenoid &
Air Pilot Valves

流体电磁阀
Process
Valves

手控阀气阀
Manual Air
Valves

气缸
Air
Cylinders



让流体动力服务于工业自动化
connects fluid power to industrial automation™

网站: www.StcValve.com

<p>A 部分 Section A</p>	<p>快速接头 Push-in Fittings</p>	
<p>B 部分 Section B</p>	<p>气源处理器 Filter-Regulator-Lubricator</p>	
<p>C 部分 Section C</p>	<p>方向电磁阀、气控阀 Directional Solenoid & Air Pilot Valves</p>	
<p>D 部分 Section D</p>	<p>流体电磁阀 Process Solenoid Valves</p>	
<p>E 部分 Section E</p>	<p>手控阀、气阀 Manual Air Valves</p>	
<p>F 部分 Section F</p>	<p>气缸 Air Cylinders</p>	

快速接头 Push-In Fittings

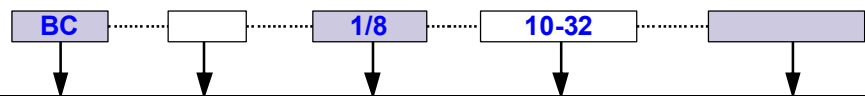
	<p>精密的制作 Precision Engineered</p> <p>先进的品质 Fine Quality</p> <p>称心的价格 Excellent Prices</p> <p>先进的设计 Advanced Design</p>			

目录Contents

STC 接头数字系统 Fittings Numbering System.....	A2
STC 快速接头价格表 Composite Push-In Fittings List Price.....	A3-5
STC 微型快速接头价格表 Miniature Composite Push-In Fittings List Price.....	A6
STC 聚氨酯管价格表 Polyurethane Tubing List Price.....	A6
STC 不锈钢快速接头价格表 Stainless Steel Push-In Fittings List Price.....	A7
STC 镍-镀金铜制快速接头价格表 Nickel-Plated Brass Push-In Fittings List Price.....	A8
STC 复合式、不锈钢、镍-镀金的铜制快速接头规格 Composite, Stainless Steel, & Nickel-Plated Brass Push-In Fittings Specifications.....	A9
STC 快速接头尺寸 Push-In Fittings Dimensions.....	A10-17
STC 控制阀流程表 Composite Angle Flow Control Valves Flow Rate.....	A18

STC接头数字系统 STC Fittings Numbering System

订购码: Ordering Part No. =
(e.g. BC 1/8 10-32)



管件名称 Fitting Name	型号 Mode	材料/类型 Material/Type	管材外径 Tube OD	尺寸/管芯/管材 Thread Size /Stem/Tube	选项 Options
空气内流量控制 AIR INLINE FLOW CONTROL	AS	空白 = 复合式 Blank = Composite B = 镀镍铜 B = Nickel Plated Brass M = 微型复合式管件 M = Miniature Composite Fittings S = 316不锈钢 S = 316 Stainless Steel	英寸(inch)	尺寸 THREAD SIZE: 美制 N = NPT R = PT 英制管螺纹 British Standard Pipe Thread G = PP 英制平行管螺纹 British Standard Parallel Pipe Thread U = 通用螺纹尺寸 Universal threads (fits NPT, R & G)	按钮颜色 Release Button Color 空白 Blank = 紫色金属颜色 Purple/Metal Color B = 蓝色 Blue K = 黑色 Black 特别请求 Special Applications: M = 清洁房, 卫生或用于氧气 For Clean Room, Sanitary, or Oxygen Applications
空气流量控制 (配电盘装配) AIR FLOW CONTROL	ASC				
三通 BRANCH TEE	BT				
铜制消声器 BRASS MUFFLER	BSL				
铜制速度控制消声器 BRASS SPEED CONTROL MUFFLER	BESL				
穿板接头 BULKHEAD CONNECTOR	BC				
穿板活接头 BULKHEAD UNION	BU				
止回阀 CHECK VALVE	KV				
外螺纹管接头 COMPACT MALE CONNECTOR	CC				
管路中的液压调节 CONTROL VALVE (meter-in)	CI				
管路外的液压调节 CONTROL VALVE (meter-out)	CV				
横向活接头 CROSS UNION	CU				
肘形减径管 ELBOW REDUCER	ER				
肘形活接头 ELBOW UNION	EU				
延长弯头 EXTENDED ELBOW	EE				
内螺纹直通 FEMALE CONNECTOR	FC				
L型内螺纹三通 FEMALE ELBOW	FE				
流量控制阀 (内部) FLOW CONTROL VALVE (inline)	FV				
外螺纹弯头 MALE ANGLE	MA				
螺纹直通 MALE CONNECTOR	MC				
L型螺纹三通 MALE ELBOW	ME				
外螺纹分水器 MALE MANIFOLD	MM				
分水器活接头 MANIFOLD UNION	MU				
堵头 PLUG	PG				
插入式弯头 PLUG-IN ELBOW	PE				
快速排气阀 QUICK EXHAUST VALVE	QE				
减径分体 REDUCED BRANCH	RB		毫米(mm)	10-32 N1/8 N1/4 N3/8 N1/2 M5 M6 R1/8 R1/4 R3/8 R1/2 G1/8 G1/4 G3/8 U1/8 U1/4 U3/8 U1/2 管芯尺寸 STEM SIZE: 1/8-1/2" 4-12 mm	
减径弯头 REDUCED ELBOW	RE				
减径活接头 REDUCED UNION	RU				
三通 RUN TEE	RT				
分层弯头 STACK ELBOW	SE				
梭形滑阀 SHUTTLE VALVE	ST				
管芯接头 STEM COUPLING	SC				
管芯减径管 STEM REDUCER	SR				
直线活接头 STRAIGHT UNION	SU				
三通活接头 TEE UNION	TU				
三通活接头减径管 TEE UNION REDUCER	TU				
管子接头 TUBE ADAPTOR	TA				
管子减径管 TUBE REDUCER	TR				
接头阀 UNION VALVE	UV				
通用弯头 UNIVERSAL ELBOW	UE				
Y形接头 Y CONNECTOR	YC				
Y形减径管 Y REDUCER	YR				
Y形活接头 Y UNION	YU				

快速接头价格表

Composite Push-In Fittings List Price





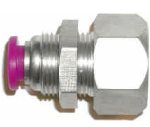



复合式管件 Composite Fittings													
型号 Model		螺纹直通连内六角 Male Connector with Internal Hex		小型螺纹直通连内六角 Compact Male Connector		L型螺纹二通 Male Elbow		三通 Branch Tee		三通 Run Tee		Y型接头 Y Connector	
管材外径 Tube OD	管螺纹 Pipe Size	MC		CC		ME		BT		RT		YC	
1/8	10-32UNF	MC1/8 10-32	\$1.11	CC1/8 10-32	\$1.11	ME1/8 10-32	\$1.61	BT1/8 10-32	\$2.49	RT1/8 10-32	\$2.27	YC 1/8 10-32	\$2.27
1/8	NPT1/8	MC1/8 N1/8	\$1.11	CC1/8 N1/8	\$1.11	ME1/8 N1/8	\$1.61	BT1/8 N1/8	\$2.49	RT1/8 N1/8	\$2.27	YC 1/8 N1/8	\$2.27
1/8	NPT1/4	MC1/8 N1/4	\$1.11	CC1/8 N1/4	\$1.11	ME1/8 N1/4	\$1.61	BT1/8 N1/4					
5/32	10-32UNF	MC5/32 10-32	\$1.11	CC5/32 10-32	\$1.11	ME 5/32 10-32	\$1.61	BT5/32 10-32	\$2.49	RT5/32 10-32	\$2.27	YC 5/32 10-32	\$2.27
5/32	NPT1/8	MC5/32 N1/8	\$1.11	CC5/32 N1/8	\$1.11	ME5/32 N1/8	\$1.61	TBT5/32 N1/8	\$2.49	RT5/32 N1/8	\$2.27	YC 5/32 N1/8	\$2.27
5/32	NPT1/4	MC5/32 N1/4	\$1.11	CC5/32 N1/4	\$1.11	ME5/32 N1/4	\$1.61	BT5/32 N1/4	\$2.49	RT5/32 N1/4	\$2.51	YC 5/32 N1/4	\$2.27
3/16	10-32UNF	MC5/16 10-32	\$1.11			ME3/16 10-32	\$1.61	BT3/16 10-32	\$2.49	RT3/16 10-32	\$2.51	YC 3/16 10-32	\$2.51
3/16	NPT1/8	MC3/16 N1/8	\$1.11			ME3/16 N1/8	\$1.61	BT3/16 N1/8	\$2.49	RT3/16 N1/8	\$2.51	YC 3/16 N1/8	\$2.51
3/16	NPT1/4	MC3/16 N1/4	\$1.11			ME3/16 N1/4	\$1.61	BT3/16 N1/4	\$2.49	RT3/16 N1/4	\$2.51	YC 3/16 N1/4	\$2.51
3/16	NPT3/8	MC3/16 N3/8	\$1.11			ME3/16 N3/8	\$1.61	BT3/16 N3/8	\$2.49	RT3/16 N3/8	\$2.51	YC 3/16 N3/8	\$2.51
1/4	10-32UNF	MC1/4 10-32	\$1.11	CC1/4 10-32	\$1.11	ME1/4 10-32	\$1.61	BT 1/4 10-32	\$2.51	RT1/4 10-32	\$3.00	YC 1/4 10-32	\$2.51
1/4	NPT1/8	MC1/4 N1/8	\$1.11	CC1/4 N1/8	\$1.11	ME1/4 N1/8	\$1.61	BT1/4 N1/8	\$2.51	RT1/4 N1/8	\$3.00	YC 1/4 N1/8	\$2.51
1/4	NPT1/4	MC1/4 N1/4	\$1.11	CC1/4 N1/4	\$1.11	ME1/4 N1/4	\$1.61	BT1/4 N1/4	\$2.71	RT1/4 N1/4	\$3.42	YC 1/4 N1/4	\$2.71
1/4	NPT3/8	MC1/4 N3/8	\$1.61	CC1/4 N3/8	\$1.61	ME1/4 N3/8	\$1.91	BT1/4 N3/8	\$3.00	RT1/4 N3/8	\$3.73	YC 1/4 N3/8	\$3.00
5/16	NPT1/8	MC5/16 N1/8	\$1.11	CC5/16 N1/8	\$1.11	ME5/16 N1/8	\$1.78	BT5/16 N1/8	\$2.82	RT5/16 N1/8	\$3.12	YC 5/16 N1/8	\$2.82
5/16	NPT1/4	MC5/16 N1/4	\$1.11	CC5/16 N1/4	\$1.11	ME5/16 N1/4	\$1.78	BT5/16 N1/4	\$2.82	RT5/16 N1/4	\$3.42	YC 5/16 N1/4	\$2.82
5/16	NPT3/8	MC5/16 N3/8	\$1.61	CC5/16 N3/8	\$1.61	ME5/16 N3/8	\$2.02	BT5/16 N3/8	\$3.12	RT5/16 N3/8	\$3.73	YC 5/16 N3/8	\$3.12
3/8	NPT1/8	MC3/8 N1/8	\$1.66	CC3/8 N1/8	\$1.66	ME3/8 N1/8	\$2.02	BT3/8 N1/8	\$3.00	RT 3/8 N1/8	\$3.73	YC 3/8 N1/8	\$3.12
3/8	NPT1/4	MC3/8 N1/4	\$1.66	CC3/8 N1/4	\$1.66	ME3/8 N1/4	\$2.02	BT3/8 N1/4	\$3.12	RT3/8 N1/4	\$3.73	YC 3/8 N1/4	\$3.12
3/8	NPT3/8	MC3/8 N3/8	\$2.38	CC3/8 N3/8	\$2.38	ME3/8 N3/8	\$2.54	BT3/8 N3/8	\$3.36	RT3/8 N3/8	\$4.03	YC 3/8 N3/8	\$3.31
3/8	NPT1/2	MC3/8 N1/2	\$2.38			ME3/8 N1/2	\$3.70	BT3/8 N1/2	\$4.36	RT3/8 N1/2	\$4.36	YC 3/8 N1/2	\$4.03
1/2	NPT1/4	MC1/2 N1/4	\$2.38	CC1/2 N1/4	\$3.22	ME1/2 N1/4	\$3.70	BT1/2 N1/4	\$4.03	RT1/2 N1/4	\$4.03	YC 1/2 N1/4	\$4.03
1/2	NPT3/8	MC1/2 N3/8	\$2.38	CC1/2 N3/8	\$2.38	ME1/2 N3/8	\$3.70	BT1/2 N3/8	\$4.03	RT1/2 N3/8	\$4.36	YC 1/2 N3/8	\$4.03
1/2	NPT1/2	MC1/2 N1/2	\$2.38	CC1/2 N1/2	\$2.38	ME1/2 N1/2	\$3.70	BT1/2 N1/2	\$4.36	RT1/2 N1/2	\$4.65	YC 1/2 N1/2	\$4.36

4 mm	M5X0.8	MC4 M5	\$1.11			ME 4 M5	\$1.61	BT 4 M5	\$2.27	RT4 M5	\$2.27	YC 4 M5	\$2.27
4 mm	M6X1	MC4 M6	\$1.11			ME 4 M6	\$1.61	BT 4 M6	\$2.27	RT4 M6	\$2.27	YC 4 M6	\$2.27
4 mm	R1/8	MC4 R1/8	\$1.11			ME 4 R1/8	\$1.61	BT4 R1/8	\$2.49	RT4 R1/8	\$2.27	YC 4 R1/8	\$2.27
4 mm	R1/4	MC4 R1/4	\$1.11			M 4 R1/4	\$1.61	BT4 R1/4	\$2.49	RT4 R1/4	\$2.49	YC 4 R1/4	\$2.49
6 mm	M5X0.8	MC6 M5	\$1.11			ME 6 M5	\$1.61	BT6 M5	\$2.51	RT6 M5	\$3.00	YC 6 M5	\$2.51
6 mm	M6X1	MC6 M6	\$1.11			ME 6 M6	\$1.61	BT6 M6	\$2.51	RT6 M6	\$3.00	YC 6 M6	\$2.51
6 mm	R1/8	MC6 R1/8	\$1.11			ME 6 R1/8	\$1.61	BT6 R1/8	\$2.49	RT6 R1/8	\$3.00	YC 6 R1/8	\$2.51
6 mm	R1/4	MC6 R1/4	\$1.11			ME 6 R1/4	\$1.61	BT6 R1/4	\$2.71	RT6 R1/4	\$3.42	YC 6 R1/4	\$2.71
6 mm	R3/8	MC6 R3/8	\$1.61			ME 6 R3/8	\$1.91	BT6 R3/8	\$3.00	RT6 R3/8	\$3.73	YC 6 R3/8	\$3.00
6 mm	R1/2	MC6 R1/2	\$2.21			ME 6 R1/2	\$3.15	BT6 R1/2	\$4.03	RT6 R1/2	\$4.36	YC 6 R1/2	\$4.03
8 mm	R1/8	MC8 R1/8	\$1.11			ME 8 R1/8	\$1.78	BT8 R1/8	\$2.82	RT8 R1/8	\$3.12	YC 8 R1/8	\$2.82
8 mm	R1/4	MC8 R1/4	\$1.11			ME 8 R1/4	\$1.78	BT8 R1/4	\$2.82	RT8 R1/4	\$3.42	YC 8 R1/4	\$2.82
8 mm	R3/8	MC8 R3/8	\$1.11			ME 8 R3/8	\$1.78	BT8 R3/8	\$3.12	RT8 R3/8	\$3.73	YC 8 R3/8	\$3.12
8 mm	R1/2	MC8 R1/2	\$1.61			ME 8 R1/2	\$2.02	BT8 R1/2	\$3.12	RT8 R1/2	\$4.36	YC 8 R1/2	\$3.99
10 mm	R1/8	MC10 R1/8	\$1.66			ME10 R1/8	\$2.02	BT10 R1/8	\$3.00	RT10 R1/8	\$3.73	YC 10 R1/8	\$3.12
10 mm	R1/4	MC10 R1/4	\$1.66			ME10 R1/4	\$2.02	BT10 R1/4	\$3.12	RT10 R1/4	\$3.73	YC 10 R1/4	\$3.12
10 mm	R3/8	MC10 R3/8	\$2.38			ME10 R3/8	\$2.26	BT10 R3/8	\$3.36	RT10 R3/8	\$3.99	YC 10 R3/8	\$3.31
10 mm	R1/2	MC10 R1/2	\$2.38			ME10 R1/2	\$3.70	BT10 R1/2	\$4.36	RT10 R1/2	\$4.36	YC 10 R1/2	\$4.03
12 mm	R1/4	MC12 R1/4	\$2.38			ME12 R1/4	\$3.70	BT12 R1/4	\$4.03	RT12 R1/4	\$4.03	YC 12 R1/4	\$4.03
12 mm	R3/8	MC12 R3/8	\$2.38			ME12 R3/8	\$3.70	BT12 R3/8	\$4.03	RT12 R3/8	\$4.36	YC 12 R3/8	\$4.03
12 mm	R1/2	MC12 R1/2	\$2.38			ME12 R1/2	\$3.70	BT12 R1/2	\$4.36	RT12 R1/2	\$4.65	YC 12 R1/2	\$4.36

各类快速接头价格表

Composite Push-In Fittings List Price

复合式管件 Composite Fittings													
型号 Model		通用弯头 Universal Elbow		延长弯头 Extended Elbow		内螺纹直通 Female Connector		L型内螺纹二通 Female Elbow		穿板接头 Bulkhead Connector		调节阀 Control Valve 管路外的液压调节 CV=meter-out; 管路内的液压调节 Cl= meter-in	
管材外径 Tube OD	管螺纹 Pipe Size	UE		EE		FC		FE		BC		CV	
1/8	10-32UNF	UE 1/8 10-32	\$2.51			FC1/8 10-32	\$1.41	FE1/8 10-32	\$2.00			CV 1/8 10-32	\$6.17
1/8	NPT1/8	UE1/8 N1/8	\$2.51			FC1/8 N1/8	\$1.41	FE1/8 N1/8	\$2.00	BC1/8 N1/8	\$2.65	CV 1/8 N1/8	\$6.17
5/32	10-32UNF	UE5/32 10-32	\$2.51	EE5/32 10-32	\$2.00	FC5/32 10-32	\$1.41	FE5/32 10-32	\$2.00			CV 5/32 10-32	\$6.17
5/32	NPT1/8	UE5/32 N1/8	\$2.51	EE5/32 N1/8	\$2.00	FC5/32 N1/8	\$1.41	FE5/32 N1/8	\$2.00	BC5/32 N1/8	\$2.65	CV 5/32 N1/8	\$6.17
5/32	NPT1/4					FC5/32 N1/4	\$1.41	FE5/32 N1/4	\$2.00	BC5/32 N1/4	\$2.65	CV 5/32 N1/4	\$6.17
3/16	10-32UNF	UE3/16 10-32	\$3.00					FE3/16 10-32	\$2.00				
3/16	NPT1/8	UE3/16 N1/8	\$3.00	EE3/16 N1/8	\$2.00			FE3/16 N1/8	\$2.00	BC3/16 N1/8	\$2.65	CV 3/16 N1/8	\$6.17
3/16	NPT1/4	UE3/16 N1/4	\$3.00	EE3/16 N1/4	\$2.00			FE3/16 N1/4	\$2.00	BC3/16 N1/4	\$2.65		
3/16	NPT3/8			EE3/16 N3/8	\$2.53								
1/4	10-32UNF	UE1/4 10-32	\$3.00					FE1/4 10-32	\$2.00			CV 1/4 10-32	\$6.17
1/4	NPT1/8	UE1/4 N1/8	\$3.00	EE1/4 N1/8	\$2.00	FC1/4 N1/8	\$1.41	FE1/4 N1/8	\$2.00	BC1/4 N1/8	\$3.17	CV 1/4 N1/8	\$6.67
1/4	NPT1/4	UE1/4 N1/4	\$3.42	EE1/4 N1/4	\$2.00	FC1/4 N1/4	\$1.60	FE1/4 N1/4	\$2.00	BC1/4 N1/4	\$3.62	CV 1/4 N1/4	\$6.67
1/4	NPT3/8			EE1/4 N3/8	\$2.53			FE1/4 N3/8	\$2.53			CV 1/4 N3/8	\$8.50
5/16	NPT1/8	UE5/16 N1/8	\$3.12	EE5/16 N1/8	\$2.16	FC5/16 N1/8	\$1.61	FE5/16 N1/8	\$2.16	BC5/16 N1/8	\$3.30	CV 5/16 N1/8	\$6.67
5/16	NPT1/4	UE5/16 N1/4	\$3.12	EE5/16 N1/4	\$2.16	FC5/16 N1/4	\$1.61	FE5/16 N1/4	\$2.16	BC5/16 N1/4	\$3.62	CV 5/16 N1/4	\$6.67
5/16	NPT3/8	UE5/16 N3/8	\$3.73	EE5/16 N3/8	\$2.38	FC5/16 N3/8	\$1.90	FE5/16 N3/8	\$2.38			CV 5/16 N3/8	\$8.50
3/8	NPT1/8	UE3/8 N1/8	\$3.73										
3/8	NPT1/4	UE3/8 N1/4	\$3.73	EE3/8 N1/4	\$2.98	FC3/8 N1/4	\$2.15	FE3/8 N1/4	\$2.98	BC3/8 N1/4	\$3.62	CV 3/8 N1/4	\$7.28
3/8	NPT3/8	UE3/8 N3/8	\$4.03	EE3/8 N3/8	\$2.98	FC3/8 N3/8	\$2.15	FE3/8 N3/8	\$2.98	BC3/8 N3/8	\$4.27	CV 3/8 N3/8	\$8.50
3/8	NPT1/2			EE3/8 N1/2	\$4.47	FC3/8 N1/2	\$3.25	FE3/8 N1/2	\$4.47			CV 3/8 N1/2	\$10.15
1/2	NPT1/4			EE1/2 N1/4	\$4.47	FC1/2 N1/4	\$3.25						
1/2	NPT3/8	UE1/2 N3/8	\$4.36	EE1/2 N3/8	\$4.47	FC1/2 N3/8	\$3.25			BC1/2 N3/8	\$4.58	CV 1/2 N3/8	\$9.72
1/2	NPT1/2	UE 1/2 N1/2	\$4.65	EE1/2 N1/2	\$4.47					BC1/2 N1/2	\$4.91	CV 1/2 N1/2	\$10.15
4 mm	M5X0.8	UE4 M5	\$2.51	EE4 M5	\$2.00			FE4 M5	\$2.00			CV 4 M5	\$6.17
4 mm	M6X1	UE4 M6	\$2.51	EE4 M6	\$2.00			FE4 M6	\$2.00			CV 4 M6	\$6.17
4 mm	R1/8	UE4 R1/8	\$2.51	EE4 R1/8	\$2.00	FC4 R1/8	\$1.41	FE4 R1/8	\$2.00	BC4 R1/8	\$2.65	CV 4 R1/8	\$6.17
4 mm	R1/4	UE4 R1/4	\$3.00	EE4 R1/4	\$2.00	FC4 R1/4	\$1.41	FE4 R1/4	\$2.00	BC4 R1/4	\$2.65	CV 4 R1/4	\$6.67
6 mm	M5X0.8	UE6 M5	\$3.00	EE6 M5	\$2.00			FE6 M5	\$2.00			CV 6 M5	\$6.17
6 mm	M6X1	UE6 M6	\$3.00	EE6 M6	\$2.00			FE6 M6	\$2.00			CV 6 M6	\$6.17
6 mm	R1/8	UE6 R1/8	\$3.00	EE6 R1/8	\$2.00	FC6 R1/8	\$1.41	FE6 R1/8	\$2.00	BC6 R1/8	\$3.17	CV 6 R1/8	\$6.67
6 mm	R1/4	UE6 R1/4	\$3.42	EE6 R1/4	\$2.00	FC6 R1/4	\$1.60	FE6 R1/4	\$2.00	BC6 R1/4	\$3.62	CV 6 R1/4	\$6.67
6 mm	R3/8	UE6 R3/8	\$3.73	EE6 R3/8	\$2.53	FC6 R3/8	\$1.90	FE6 R3/8	\$2.53	BC6 R3/8	\$3.95	CV 6 R3/8	\$8.50
6 mm	R1/2			EE6 R1/2	\$3.95								
8 mm	R1/8	UE8 R1/8	\$3.12	EE8 R1/8	\$2.16	FC8 R1/8	\$1.61	FE8 R1/8	\$2.16	BC8 R1/8	\$3.30	CV 8 R1/8	\$6.67
8 mm	R1/4	UE8 R1/4	\$3.12	EE8 R1/4	\$2.16	FC8 R1/4	\$1.61	FE8 R1/4	\$2.16	BC8 R1/4	\$3.62	CV 8 R1/4	\$6.67
8 mm	R3/8	UE8 R3/8	\$3.73	EE8 R3/8	\$2.38	FC8 R3/8	\$1.90	FE8 R3/8	\$2.38	BC8 R3/8	\$3.95	CV 8 R3/8	\$6.67
8 mm	R1/2	UE8 R1/2	\$4.36	EE 8 R1/2	\$3.95	FC8 R1/2	\$3.12			BC8 R1/2	\$4.58	CV 8 R1/2	\$8.50
10 mm	R1/8			EE10 R1/8	\$2.98	FC10 R1/8	\$2.15	FE10 R1/8	\$2.98	BC10 R1/8	\$3.62		
10 mm	R1/4	UE10 R1/4	\$3.73	EE10 R1/4	\$2.98	FC10 R1/4	\$2.15	FE10 R1/4	\$2.98	BC10 R1/4	\$3.95	CV 10 R1/4	\$7.28
10 mm	R3/8	UE10 R3/8	\$4.03	EE10 R3/8	\$2.98	FC10 R3/8	\$2.15	FE10 R3/8	\$2.98	BC10 R3/8	\$4.27	CV 10 R3/8	\$8.50
10 mm	R1/2	UE10 R1/2	\$4.36	EE10 R1/2	\$4.47	FC10 R1/2	\$3.25	FE10 R1/2	\$4.47	BC10 R1/2	\$4.58	CV 10 R1/2	\$10.15
12 mm	R1/4	UE12 R1/4	\$4.36	EE12 R1/4	\$4.47	FC12 R1/4	\$3.25	FE12 R1/4	\$4.47	BC12 R1/4	\$4.27	CV 12 R1/4	\$9.72
12 mm	R3/8	UE12 R3/8	\$4.36	EE12 R3/8	\$4.47	FC12 R3/8	\$3.25	FE12 R3/8	\$4.47	BC12 R3/8	\$4.58	CV 12 R3/8	\$9.72
12 mm	R1/2	UE12 R1/2	\$4.65	EE12 R1/2	\$4.47	FC12 R1/2	\$3.25	FE12 R1/2	\$4.47	BC12 R1/2	\$4.91	CV 12 R1/2	\$10.15

快速接头价格表

Composite Push-In Fittings List Price



复式管件 Composite Fittings								
型号 Model	流量控制阀 Flow Valve	穿板活接头 Bulkhead Union	横向活接头 Cross Union	肘形活接头 Elbow Union	直线活接头 Straight Union	三通活接头异径管 Tee Union	Y型活接头 Y Union	
管材外径 Tube OD	FV	BU	CU	EU	SU	TU	YU	
1/8	FV1/8 \$7.15	BU1/8 \$2.60	CU1/8 \$3.08	EU1/8 \$1.32	SU1/8 \$1.32	TU1/8 \$1.96	YU1/8 \$1.96	
5/32	FV5/32 \$7.15	BU 5/32 \$2.60	CU5/32 \$3.08	EU5/32 \$1.32	SU5/32 \$1.32	TU5/32 \$1.96	YU5/32 \$1.96	
3/16	FV3/16 \$7.15	BU3/16 \$2.60	CU3/16 \$3.08	EU3/16 \$1.32	SU3/16 \$1.32	TU3/16 \$1.96	YU3/16 \$1.96	
1/4	FV1/4 \$7.37	BU1/4 \$2.60	CU1/4 \$3.08	EU1/4 \$1.39	SU1/4 \$1.39	TU1/4 \$1.96	YU1/4 \$1.96	
5/16	FV5/16 \$7.37	BU5/16 \$3.15	CU5/16 \$3.08	EU5/16 \$1.82	SU5/16 \$1.60	TU5/16 \$1.96	YU 5/16 \$1.96	
3/8	FV3/8 \$7.48	BU3/8 \$3.81	CU3/8 \$3.85	EU3/8 \$1.84	SU3/8 \$1.84	TU3/8 \$2.44	YU3/8 \$2.44	
1/2	FV1/2 \$9.68	BU1/2 \$3.92	CU1/2 \$4.76	EU1/2 \$2.15	SU1/2 \$2.15	TU1/2 \$3.06	YU1/2 \$3.06	
4 mm	FV04 \$7.37	BU4 \$2.60	CU4 \$3.08	EU4 \$1.32	SU 4 \$1.32	TU4 \$1.96	YU4 \$1.96	
6 mm	FV06 \$7.37	BU6 \$2.60	CU6 \$3.08	EU6 \$1.39	SU6 \$1.39	TU6 \$1.96	YU 6 \$1.96	
8 mm	FV08 \$7.48	BU8 \$3.15	CU8 \$3.85	EU8 \$1.60	SU 8 \$1.60	TU8 \$1.96	YU8 \$1.96	
10 mm	FV10 \$10.78	BU10 \$3.81	CU10 \$4.54	EU10 \$1.84	SU10 \$1.84	TU10 \$2.44	YU10 \$2.44	
12 mm	FV12 \$11.99	BU12 \$3.92	CU12 \$4.76	EU12 \$2.15	SU12 \$2.15	TU12 \$3.06	YU12 \$3.06	
复式管件 Composite Fittings								
型号 Model	弯头减径管 Elbow Reducer (Tube-Stem)	插入式弯 Plug In Elbow	外螺纹分水器 Male Manifold	分水器活接头 Manifold Union	减径分体 Reduced Branch	减径活接头 Reduced Union	T型减径三通 Tee Union Reducer	
管材外径 Tube OD	ER	PE	MM	MU	RB	RU	TU	
1/8	ER1/8-5/32 \$2.56	PE1/8 \$2.56	MM1/4-5/32-N1/8 \$4.40	MU5/32X1/8 \$3.96	RB5/32-1/8 \$2.56	RU5/32-1/8 \$1.60	TU5/32-1/8 \$2.56	
5/32	ER5/32-1/4 \$2.56	PE5/32 \$2.56	MM5/16-5/32-N1/4 \$4.51	MU1/4X5/32 \$3.96	RB3/16-5/32 \$2.56	RU3/16-5/32 \$1.60		
3/16		PE3/16	MM5/16-1/4-N1/4 \$4.51	MU5/16X5/32 \$3.96	RB1/4-5/32 \$2.56	RU1/4-5/32 \$1.60	TU1/4-5/32 \$2.56	
1/4	ER1/4-5/16 \$2.56	PE1/4 \$2.56		MU5/16X1/4 \$3.96	RB1/4-3/16 \$2.56	RU1/4-3/16 \$1.84	TU1/4-3/16	
5/16	ER5/16-3/8 \$2.56	PE 5/16 \$2.56		MU3/8X1/4 \$5.50	RB5/16-1/4 \$2.56	RU5/16-1/4 \$1.84	TU5/16-1/4 \$2.56	
3/8	ER3/8-1/2 \$3.66	PE3/8 \$3.06			RB3/8-1/4 \$3.06	RU3/8-1/4 \$2.15	TU3/8-1/4 \$3.06	
1/2		PE1/2 \$3.06			RB3/8-5/16 \$3.06	RU3/8-5/16 \$2.15	TU3/8-5/16 \$3.06	
4 mm			MM06-04-R1/8 \$4.51	MU6-4 \$3.96	RB1/2-3/8 \$3.66	RU1/2-3/8 \$2.44	TU1/2-3/8 \$3.66	
6 mm	ER4-6 \$2.56	PE 4	MM08-04-R1/4 \$4.51	MU8-4 \$3.96	RB6-4 \$2.56	RU6-4 \$1.60	TU6-4 \$2.56	
8 mm	ER6-8 \$2.56	PE6	MM08-06-R3/8 \$5.83	MU8-6 \$4.51	RB 8-6 \$2.56	RU8-6 \$1.84	TU 8-6 \$2.56	
10 mm	ER8-10 \$3.06	PE8	MM10-08-R3/8 \$6.16	MU10-6 \$5.17	RB10-8 \$3.06	RU10-8 \$2.15	TU10-8 \$3.06	
12 mm	ER10-12 \$3.66	PE10		MU10-8 \$5.17	RB12-10 \$3.66	RU12-10 \$2.44	TU12-10 \$3.66	
复式管件 Composite Fittings					型号 Model			
型号 Model	堵头 Plug	管芯减径接头 Stem Coupler	管径减径管 Stem Reducer	管子减径管 Tube Reducer (Tube-Stem)	型号 Model	分层弯头 Stack Elbow	外螺纹弯头 Male Angle	
管材外径 Tube OD	PG	SC	SR	TR	管材外径 Tube OD	管子尺寸 Pipe Size	SE	MA
1/8	PG1/8 \$0.55	SC1/8 \$0.66			5/32	10-32	SE5/32 10-32 \$2.51	MA 5/32 10-32 \$2.51
5/32	PG5/32 \$0.55	SC5/32 \$0.66	SR 1/8-5/32 \$0.88	TR1/8-5/32 \$1.68	5/32	NPT1/8	SE5/32 N1/8 \$2.51	MA 5/32 N1/8 \$2.51
3/16					1/4	10-32	SE1/4 10-32 \$3.00	MA1/4 10-32 \$3.00
1/4	PG1/4 \$0.55	SC1/4 \$0.66	SR5/32-1/4 \$0.88	TR5/32-1/4 \$1.68	1/4	NPT1/8	SE 1/4 N1/8 \$3.00	MA1/4 N1/8 \$3.00
5/16	PG5/16 \$0.66	SC 5/16 \$0.88	SR 1/4-5/16 \$1.10	TR1/4-5/16 \$1.98	1/4	NPT1/4	SE 1/4 N1/4 \$3.42	MA1/4 N1/4 \$3.42
3/8	PG3/8 \$0.66	SC 3/8 \$0.88	SR 1/4-3/8 \$1.10	TR1/4-3/8 \$1.98	5/16	NPT1/4	SE5/16 N1/4 \$3.12	MA5/16 N1/4 \$3.12
1/2	PG 1/2 \$0.66	SC1/2 \$0.88	SR 3/8-1/2 \$1.10	TR3/8-1/2 \$2.68	5/16	NPT3/8	SE5/16 N3/8 \$3.73	MA 5/16 N3/8 \$3.73
4 mm	PG4 \$0.55	SC4 \$0.66			3/8	NPT1/4	SE3/8 N1/4 \$3.73	MA 3/8 N1/4 \$3.73
6 mm	PG6 \$0.55	SC6 \$0.66	SR 4-6 \$0.88	TR4-6 \$1.68	3/8	NPT3/8	SE3/8 N3/8 \$4.03	MA3/8 N3/8 \$4.03
8 mm	PG8 \$0.66	SC8 \$0.88	SR 6-8 \$0.88	TR 6-8 \$1.98				
10 mm	PG10 \$0.66	SC10 \$0.88	SR 8-10 \$1.10	TR8-10 \$1.98	1/2	NPT3/8	SE1/2 N3/8 \$4.36	MA 1/2 N3/8 \$4.36
12 mm	PG12 \$0.66	SC12 \$0.88	SR 10-12 \$1.10	TR10-12 \$2.68	1/2	NPT1/2	SE 1/2 N1/2 \$4.65	MA 1/2 N1/2 \$4.65



微型快速接头价格表 | 聚氨酯管价格表

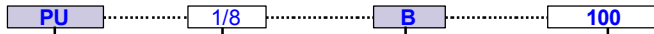
Miniature Composite Push-In Fittings & Polyurethane Tubing List Price

微型管件 Miniature Composite Fittings													
型号 Model		螺纹直通 Male Connector	外螺纹管接头 Compact Connector	L型螺纹二通 Male Elbow	T型螺纹三通 Branch Tee	T型分支螺纹三通 Run Tee	内螺纹直通 Female Connector						
管径 Tube OD	管螺纹 Pipe Size	MCM		CCM		MEM		BTM		RTM		FCM	
1/8	10-32UNF	MCM 1/8 10-32	\$1.70	CCM 1/8 10-32	\$1.85	MEM 1/8 10-32	\$2.50	BTM 1/8 10-32	\$4.00	RTM 1/8 10-32	\$2.27	FCM 1/8 10-32	\$2.20
1/8	NPT1/8	MCM 1/8 N1/8	\$1.70	CCM 1/8 N1/8	\$1.85	MEM 1/8 N1/8	\$2.50	BTM1/8 N1/8	\$4.00	RTM 1/8 N1/8	\$2.27	FCM 1/8 N1/8	\$2.20
5/32	10-32UNF	MCM 5/32 10-32	\$1.70	CCM 5/32 10-32	\$1.85	MEM5/32 10-32	\$2.50	BTM 5/32 10-32	\$4.00	RTM5/32 10-32	\$2.27	FCM5/32 10-32	\$2.20
5/32	NPT1/8	MCM 5/32 N1/8	\$1.70	CCM5/32 N1/8	\$1.85	MEM 5/32 N1/8	\$2.50	BTM 5/32 N1/8	\$4.00	RTM 5/32 N1/8	\$2.27	FCM5/32 N1/8	\$2.20
1/4	10-32UNF	MCM 1/4 10-32	\$1.70	CCM 1/4 10-32	\$1.85	MEM 1/4 10-32	\$2.50	BTM 1/4 10-32	\$4.00	RTM 1/4 10-32	\$3.00	FCM 1/4 10-32	\$2.20
1/4	NPT1/8	MCM 1/4 N1/8	\$1.70	CCM 1/4 N1/8	\$1.85	MEM 1/4 N1/8	\$2.50	BTM 1/4 N1/8	\$4.00	RTM 1/4 N1/8	\$3.00	FCM 1/4 N1/8	\$2.20

微型管件 Miniature Composite Fittings									
型号 Model		十字四通 Cross Union	L型二通 Elbow Union	直通 Straight Union	T型三通 Straight Union				
管径 Tube OD		CUM		EUM		SUM		TUM	
1/8		CUM 1/8	\$4.00	EUM 1/8	\$2.30	SUM 1/8	\$2.30	TUM1/8	\$3.20
5/32		CUM 5/32	\$4.00	EUM 5/32	\$2.30	SUM 5/32	\$2.30	TUM 5/32	\$3.20
1/4		CUM 1/4	\$4.00	EUM 1/4	\$2.30	SUM 1/4	\$2.30	TUM 1/4	\$3.20

STC聚氨酯管数字系统 Polyurethane Tubing Numbering System

订购码 Ordering Part No.
= (e.g. PU 1/8 B 100)



管径类型 Tubing Type	尺寸 (inch) 毫米 (mm)	颜色 Color	长度 Length
PU = 聚氨酯管 Polyurethane Tubing	1/8	B = 蓝色 Blue	100 = 100英尺 ft 500 = 500英尺 ft
	5/32	BK = 黑色 Black	
	1/4	G = 绿色 Green	
	5/16	O = 橙色 Orange	
	3/8	R = 红色 Red	
	1/2	T = 透明色 Transparent	
		Y = 黄色 Yellow	

规格 Specifications	
温度 Temperature	-40 to 176°F, (-40 to 80°C)
硬度 Durometer	Shore A: 90
公差 Size Tolerance	+/- 0.004" (+/- 0.1mm)

Tubing Size		Part No.									
外径 OD	内径 ID	最大压力 Max Pressure PSI @ 75° F	透明色	黑色	蓝色	绿色	橙色	红色	黄色	颜色管径的价格 Color Tubing Price	
1/8"	0.078"	200	PU 1/8 T-100	PU 1/8 BK-100	PU 1/8 B-100	PU 1/8 G-100	PU 1/8 O-100	PU 1/8 R-100	PU 1/8 Y-100	\$12.80/100 ft	
5/32"	0.098"	200	PU 5/32 T-100	PU 5/32 BK-100	PU 5/32 B-100	PU 5/32 G-100	PU 5/32 O-100	PU 5/32 R-100	PU 5/32 Y-100	\$15.30/100 ft	
1/4"	0.16"	180	PU 1/4 T-100	PU 1/4 BK-100	PU 1/4 B-100	PU 1/4 G-100	PU 1/4 O-100	PU 1/4 R-100	PU 1/4 Y-100	\$24.00/100 ft	
5/16"	0.20"	180	PU 5/16 T-100	PU 5/16 BK-100	PU 5/16 B-100	PU 5/16 G-100	PU 5/16 O-100	PU 5/16 R-100	PU 5/16 Y-100	\$33.00/100 ft	
3/8"	0.26"	150	PU 3/8 T-100	PU 3/8 BK-100	PU 3/8 B-100	PU 3/8 G-100	PU 3/8 O-100	PU 3/8 R-100	PU 3/8 Y-100	\$45.80/100 ft	
1/2"	3/8"	150	PU 1/2 T-100	PU 1/2 BK-100	PU 1/2 B-100	PU 1/2 G-100	PU 1/2 O-100	PU 1/2 R-100	PU 1/2 Y-100	\$73.42/100 ft	
4mm	2mm	200	PU 4 T-100	PU 4 BK-100	PU 4 B-100	PU 4 G-100	PU 4 O-100	PU 4 R-100	PU 4 Y-100	\$15.30/100 ft	
6mm	4mm	180	PU 6 T-100	PU 6 BK-100	PU 6 B-100	PU 6 G-100	PU 6 O-100	PU 6 R-100	PU 6 Y-100	\$22.00/100 ft	
8mm	5mm	180	PU 8 T-100	PU 8 BK-100	PU 8 B-100	PU 8 G-100	PU 8 O-100	PU 8 R-100	PU 8 Y-100	\$35.00/100 ft	
10mm	6.5mm	150	PU 10 T-100	PU 10 BK-100	PU 10 B-100	PU 10 G-100	PU 10 O-100	PU 10 R-100	PU 10 Y-100	\$55.00/100 ft	
12mm	8mm	150	PU 12 T-100	PU 12 BK-100	PU 12 B-100	PU 12 G-100	PU 12 O-100	PU 12 R-100	PU 12 Y-100	\$73.00/100 ft	
1/8"	0.078"	200	PU 1/8 T-500	PU 1/8 BK-500	PU 1/8 B-500	PU 1/8 G-500	PU 1/8 O-500	PU 1/8 R-500	PU 1/8 Y-500	\$64.00/500 ft	
5/32"	0.098"	200	PU 5/32 T-500	PU 5/32 BK-500	PU 5/32 B-500	PU 5/32 G-500	PU 5/32 O-500	PU 5/32 R-500	PU 5/32 Y-500	\$76.50/500 ft	
1/4"	0.16"	180	PU 1/4 T-500	PU 1/4 BK-500	PU 1/4 B-500	PU 1/4 G-500	PU 1/4 O-500	PU 1/4 R-500	PU 1/4 Y-500	\$120.00/500 ft	
5/16"	0.20"	180	PU 5/16 T-500	PU 5/16 BK-500	PU 5/16 B-500	PU 5/16 G-500	PU 5/16 O-500	PU 5/16 R-500	PU 5/16 Y-500	\$165.00/500 ft	
3/8"	0.26"	150	PU 3/8 T-500	PU 3/8 BK-500	PU 3/8 B-500	PU 3/8 G-500	PU 3/8 O-500	PU 3/8 R-500	PU 3/8 Y-500	\$229.00/500 ft	
1/2"	3/8"	150	PU 1/2 T-500	PU 1/2 BK-500	PU 1/2 B-500	PU 1/2 G-500	PU 1/2 O-500	PU 1/2 R-500	PU 1/2 Y-500	\$367.10/500 ft	
5/32"	2mm	200	PU 4 T-500	PU 4 BK-500	PU 4 B-500	PU 4 G-500	PU 4 O-500	PU 4 R-500	PU 4 Y-500	\$76.00/500 ft	
6mm	4mm	180	PU 6 T-500	PU 6 BK-500	PU 6 B-500	PU 6 G-500	PU 6 O-500	PU 6 R-500	PU 6 Y-500	\$110.00/500 ft	
8mm	5mm	180	PU 8 T-500	PU 8 BK-500	PU 8 B-500	PU 8 G-500	PU 8 O-500	PU 8 R-500	PU 8 Y-500	\$175.00/500 ft	
10mm	6.5mm	150	PU 10 T-500	PU 10 BK-500	PU 10 B-500	PU 10 G-500	PU 10 O-500	PU 10 R-500	PU 10 Y-500	\$275.00/500 ft	
12mm	8mm	150	PU 12 T-500	PU 12 BK-500	PU 12 B-500	PU 12 G-500	PU 12 O-500	PU 12 R-500	PU 12 Y-500	\$365.00/500 ft	
1/4"	0.16"	180	PUC 1/4 B-10	10英尺聚氨酯管材料线圈 10 ft Polyurethane Tubing Coil						\$2.60/each	
3/8"	0.26"	150	PUC 3/8 B-10	10英尺聚氨酯管材料线圈 10 ft Polyurethane Tubing Coil						\$5.70/each	

不锈钢快速接头价格表

Stainless Steel Push-In Fittings List Price



名称 Name	隔板直通 Bulkhead Union		L型二通 Elbow Union		直通 Straight Union		T型三通 Tee Union		异径管 Tube Reducer	
管径 Tube OD	型号 Part No.	价格 Unit Price	型号 Part No.	价格 Unit Price	型号 Part No.	价格 Unit Price	型号 Part No.	价格 Unit Price	型号 Part No.	价格 Unit Price
1/8"	BUS1/8	\$12.61	EUS1/8	\$15.11	SUS 1/8	\$9.50	TUS 1/8	\$18.55	TRS 1/8	\$9.50
5/32"	BUS 5/32	\$12.61	EUS 5/32	\$15.11	SUS 5/32	\$9.50	TUS 5/32	\$18.55	TRS 5/32	\$9.50
1/4"	BUS1/4	\$14.85	EUS 1/4	\$17.36	SUS 1/4	\$9.50	TUS 1/4	\$21.32	TRS 1/4	\$9.50
5/16"	BUS5/16	\$18.98	EUS 5/16	\$18.15	SUS 5/16	\$10.36	TUS 5/16	\$24.09	TRS 5/16	\$10.36
3/8"	BUS3/8	\$20.20	EUS 3/8	\$19.80	SUS 3/8	\$11.22	TUS 3/8	\$26.80	TRS 3/8	\$11.22
1/2"	BUS 1/2	\$26.07	EUS 1/2	\$22.77	SUS 1/2	\$13.60	TUS 1/2	\$31.35	TRS 1/2	\$13.60

4 mm	BUS 4	\$12.61	EUS 4	\$15.11	SUS 4	\$8.51	TUS 4	\$18.55	TRS 4	\$8.51
6 mm	BUS 6	\$14.85	EUS 6	\$17.36	SUS 6	\$9.50	TUS 6	\$21.32	TRS 6	\$9.50
8 mm	BUS 8	\$18.98	EUS 8	\$18.15	SUS 8	\$10.36	TUS 8	\$24.09	TRS 8	\$10.36
10 mm	BUS 10	\$20.20	EUS 10	\$19.80	SUS 10	\$11.22	TUS 10	\$26.80	TRS 10	\$11.22
12 mm	BUS 12	\$26.07	EUS 12	\$22.77	SUS 12	\$13.60	TUS 12	\$31.35	TRS 12	\$13.60






名称 Name	T型螺纹三通 Branch Tee		内螺纹直通 Female Connector		螺纹直通 Male Connector		L型螺纹二通 Male Elbow, Swivel		T型三通 Y Connector, Swivel		金属快速接头		
管径 Tube OD	尺寸 Thread	型号 Part No.	价格 Unit Price	型号 Part No.	价格 Unit Price	型号 Part No.	价格 Unit Price	型号 Part No.	价格 Unit Price	型号 Part No.	价格 Unit Price	型号 Part No.	价格 Unit Price
1/8"	10-32	BTS 1/8 10-32	\$18.55	FCS1/8 10-32	\$7.70	MCS 1/8 10-32	\$6.60	MES 1/8 10-32	\$13.13	RTS 1/8 10-32	\$18.55	TAS 1/8 10-32	\$4.60
1/8"	1/8" NPT	BTS 1/8 N1/8	\$18.55	FCS1/8 N1/8	\$7.70	MCS 1/8 N1/8	\$6.60	MES 1/8 N1/8	\$13.13	RTS 1/8 N1/8	\$18.55	TAS 1/8 N1/8	\$4.60
5/32"	10-32	BTS 5/32 10-32	\$18.55	FCS5/32 10-32	\$7.70	MCS 5/32 10-32	\$6.60	MES 5/32 10-32	\$13.13	RTS 5/32 10-32	\$18.55	TAS 5/32 10-32	\$4.60
5/32"	1/8" NPT	BTS 5/32 N1/8	\$18.55	FCS5/32 N1/8	\$7.70	MCS 5/32 N1/8	\$6.60	MES 5/32 N1/8	\$13.13	RTS 5/32 N1/8	\$18.55	TAS 5/32 N1/8	\$4.60
1/4"	1/8" NPT	BTS 1/4 N1/8	\$18.55	FCS1/4 N1/8	\$7.70	MCS 1/4 N1/8	\$6.60	MES 1/4 N1/8	\$13.98	RTS 1/4 N1/8	\$18.55	TAS 1/4 N1/8	\$4.60
1/4"	1/4" NPT	BTS 1/4 N1/4	\$21.32	FCS1/4 N1/4	\$7.70	MCS 1/4 N1/4	\$6.60	MES 1/4 N1/4	\$15.11	RTS 1/4 N1/4	\$21.32	TAS 1/4 N1/4	\$4.60
1/4"	3/8" NPT	BTS 1/4 N3/8	\$24.32	FCS1/4 N3/8	\$8.29	MCS 1/4 N3/8	\$7.19	MES 1/4 N3/8	\$15.71	RTS 1/4 N3/8	\$24.32	TAS 1/4 N3/8	\$5.19
5/16"	1/4" NPT	BTS 5/16 N1/4	\$23.32	FCS5/16 N1/4	\$9.88	MCS 5/16 N1/4	\$8.78	MES 5/16 N1/4	\$16.50	RTS 5/16 N1/4	\$23.32	TAS 5/16 N1/4	\$6.78
5/16"	3/8" NPT	BTS 5/16 N3/8	\$25.32	FCS5/16 N3/8	\$10.88	MCS 5/16 N3/8	\$9.28	MES5/16 N3/8	\$16.88	RTS 5/16 N3/8	\$25.32	TAS 3/8 N1/8	\$6.78
3/8"	1/4" NPT	BTS 3/8 N1/4	\$26.80	FCS3/8 N1/4	\$11.88	MCS 3/8 N1/4	\$8.78	MES 3/8 N1/4	\$17.49	RTS 3/8 N1/4	\$26.80	TAS 3/8 N1/4	\$6.78
3/8"	3/8" NPT	BTS 3/8 N3/8	\$26.80	FCS3/8 N3/8	\$12.68	MCS 3/8 N3/8	\$8.91	MES 3/8 N3/8	\$18.15	RTS 3/8 N3/8	\$26.80	TAS 3/8 N3/8	\$6.91
3/8"	1/2" NPT	BTS 3/8 N1/2	\$29.80	FCS3/8 N1/2	\$12.98	MCS 3/8 N1/2	\$10.00	MES 3/8 N1/2	\$20.79	RTS 3/8 N1/2	\$29.80	TAS3/8 N1/2	\$8.00
1/2"	1/4" NPT	BTS 1/2 N1/4	\$28.35	FCS1/2 N1/4	\$12.86	MCS 1/2 N1/4	\$10.76	MES 1/2 N1/4	\$22.31	RTS 1/2 N1/4	\$28.35	TAS 1/2 N1/4	\$8.76
1/2"	3/8" NPT	BTS 1/2 N3/8	\$29.35	FCS1/2 N3/8	\$13.29	MCS 1/2 N3/8	\$10.76	MES 1/2 N3/8	\$22.31	RTS 1/2 N3/8	\$29.35	TAS 1/2 N3/8	\$8.76
1/2"	1/2" NPT	TBTS 1/2 N1/2	\$31.35	FCS1/2 N1/2	\$15.29	MCS 1/2 N1/2	\$14.19	MES 1/2 N1/2	\$25.41	RTS 1/2 N1/2	\$31.35	TAS1/2 N1/2	\$12.19

4 mm	M5	BTS4 M5	\$18.55	FCS 4 M5	\$7.70	MCS 4 M5	\$6.60	MES 4 M5	\$13.13	RTS4 M5	\$18.55		
4 mm	R1/8	BTS 4R1/8	\$18.55	FCS 4 N1/8	\$7.70	MCS 4R1/8	\$6.60	MES 4R1/8	\$13.13	RTS4 R1/8	\$18.55		
4 mm	R1/4	BTS4 R1/4	\$18.55	FCS 4 R1/4	\$7.70	MCS 4 R1/4	\$6.60	MES 4R1/4	\$13.13	RTS 4 R1/4	\$18.55		
6mm	M5	BTS 6 M5	\$18.55	FCS 6 M5	\$7.70	MCS 6 M5	\$6.60	MES 6M5	\$13.13	RTS 6 M5	\$18.55		
6mm	R1/8	BTS 6R1/8	\$18.55	FCS 6 R1/8	\$7.70	MCS 6 R1/8	\$6.60	MES 6R1/8	\$13.13	RTS 6 R1/8	\$18.55		
6mm	R1/4	BTS 6 R1/4	\$21.32	FCS 6 R1/4	\$7.70	MCS 6 R1/4	\$6.60	MES 6R1/4	\$15.11	RTS 6 R1/4	\$21.32		
8 mm	R1/4	BTS8R1/4	\$23.32	FCS 8 N1/4	\$9.88	MCS 8 R1/4	\$8.78	MES 8R1/4	\$16.50	RTS 8 R1/4	\$23.32		
8 mm	R3/8	BTS8 R3/8	\$25.32	FCS 8 N3/8	\$10.88	MCS 8 R3/8	\$9.28	MES 8R3/8	\$16.88	RTS 8 R3/8	\$25.32		
10mm	R1/4	BTS10 R1/4	\$26.80	FCS 10 R1/4	\$11.88	MCS 10 R1/4	\$8.78	MES 10 R1/4	\$17.49	RTS 10 R1/4	\$26.80		
10mm	R3/8	BTS10 R3/8	\$26.80	FCS 10 R3/8	\$12.68	MCS 10 R3/8	\$8.91	MES 10 R3/8	\$18.15	RTS 10 R3/8	\$26.80		
12mm	R3/8	BTS12 R3/8	\$29.35	FCS 12 R3/8	\$13.29	MCS 12 R3/8	\$10.76	MES 12 R3/8	\$22.31	RTS 12 R3/8	\$29.35		
12mm	R1/2	BTS12 R1/2	\$31.35	FCS 12 R1/2	\$15.29	MCS 12 R1/2	\$14.19	MES 12 R1/2	\$25.41	RTS 12 R1/2	\$31.35		

镍-镀金的铜制快速接头价格表

Nickel-Plated Brass Push-In Fittings List Price

铜制管件 Brass Fittings								
型号 Model	隔板直通 Bulkhead Union		L型二通 Elbow Union		直通 Straight Union		T型三通 Tee Union	
管径 Tube OD	BUB		EUB		SUB		TUB	
1/8"	BUB1/8	\$2.31	EUB1/8	\$2.77	SUB 1/8	\$1.65	TUB1/8	\$3.43
5/32"	BUB5/32	\$2.31	EUB5/32	\$2.77	SUB5/32	\$1.65	TUB5/32	\$3.43
1/4"	BUB1/4	\$2.71	EUB1/4	\$3.17	SUB1/4	\$1.85	TUB1/4	\$3.89
5/16"	BUB5/16	\$2.77	EUB5/16	\$3.17	SUB5/16	\$1.85	TUB5/16	\$4.55
3/8"	BUB3/8	\$4.29	EUB3/8	\$4.16	SUB3/8	\$2.57	TUB3/8	\$5.21
1/2"	BUB1/2	\$4.75	EUB1/2	\$4.49	SUB1/2	\$3.17	TUB1/2	\$6.07
4 mm	BUB4	\$2.31	EUB4	\$2.77	SUB4	\$1.65	TUB4	\$3.43
6 mm	BUB6	\$2.71	EUB6	\$3.17	SUB6	\$1.85	TUB6	\$3.89
8 mm	BUB8	\$2.77	EUB8	\$3.17	SUB8	\$1.85	TUB8	\$4.55

铜制管件 Brass Fittings										
型号 Model	T型三通 Branch Tee		内螺纹直通 Female Connector		螺纹直通 Male Connector		L型螺纹二通 Male Elbow, Swivel		Y型三通 Y Connector, Swivel	
外径X尺寸 Tube OD X Thread	BTB		FCB		MCB		MEB		YCB	
1/8" X 10-32	BTB1/8 10-32	\$3.30	FCB1/8 10-32	\$1.39	MCB1/8 10-32	\$1.39	MEB1/8 10-32	\$2.71	YCB1/8 10-32	\$3.70
1/8" X 1/8" NPT	BTB1/8 N1/8	\$3.30	FCB1/8 N1/8	\$1.39	MCB1/8 N1/8	\$1.39	MEB1/8 N1/8	\$2.77	YCB1/8 N1/8	\$3.70
5/32" X 10-32	BTB5/32 10-32	\$3.30	FCB5/32 10-32	\$1.39	MCB5/32 10-32	\$1.39	MEB5/32 10-32	\$2.71	YCB5/32 10-32	\$3.70
5/32" X 1/8" NPT	BTB5/32 N1/8	\$3.30	FCB5/32 N1/8	\$1.39	MCB5/32 N1/8	\$1.39	MEB5/32 N1/8	\$2.77	YCB5/32 N1/8	\$3.70
1/4" X 1/8" NPT	BTB1/4 N1/8	\$3.83	FCB1/4 N1/8	\$1.39	MCB1/4 N1/8	\$1.39	MEB1/4 N1/8	\$3.04	YCB1/4 N1/8	\$4.29
1/4" X 1/4" NPT	BTB1/4 N1/4	\$3.83	FCB1/4 N1/4	\$1.58	MCB1/4 N1/4	\$1.58	MEB1/4 N1/4	\$3.30	YCB1/4 N1/4	\$4.29
1/4" X 3/8" NPT	BTB1/4 N3/8	\$3.83	FCB1/4 N3/8	\$1.85	MCB1/4 N3/8	\$1.85	MEB1/4 N3/8	\$3.63	YCB1/4 N3/8	\$4.49
5/16" X 1/4" NPT	BTB5/16 N1/4	\$3.83	FCB5/16 N1/4	\$1.78	MCB5/16 N1/4	\$1.78	MEB5/16 N1/4	\$4.10	YCB5/16 N1/4	
5/16" X 3/8" NPT	BTB5/16 N3/8	\$4.95	FCB5/16 N3/8	\$1.91	MCB5/16 N3/8	\$1.91	MEB5/16 N3/8	\$4.16	YCB5/16 N3/8	
3/8" X 1/4" NPT	BTB3/8 N1/4	\$4.95	FCB3/8 N1/4	\$2.05	MCB3/8 N1/4	\$2.05	MEB3/8 N1/4	\$4.49	YCB3/8 N1/4	\$5.61
3/8" X 3/8" NPT	BTB3/8 N3/8	\$4.95	FCB3/8 N3/8	\$2.18	MCB3/8 N3/8	\$2.18	MEB3/8 N3/8	\$4.62	YCB3/8 N3/8	\$5.68
3/8" X 1/2" NPT	BTB3/8 N1/2	\$5.15	FCB3/8 N1/2	\$2.90	MCB3/8 N1/2	\$2.90	MEB3/8 N1/2	\$5.15	YCB3/8 N1/2	\$5.94
1/2" X 3/8" NPT	BTB1/2 N3/8	\$5.02	FCB1/2 N3/8	\$2.31	MCB1/2 N3/8	\$2.31	MEB1/2 N3/8	\$5.02	YCB1/2 N3/8	
1/2" X 1/2" NPT	BTB1/2 N1/2	\$5.41	FCB1/2 N1/2	\$3.17	MCB1/2 N1/2	\$3.17	MEB1/2 N1/2	\$5.41	YCB1/2 N1/2	
4 mm X M5	BTB4 M5	\$3.30	FCB4 M5	\$1.19	MCB4 M5	\$1.19	MEB4 M5	\$2.71	YCB 4 M5	\$3.70
4 X 1/8" NPT	BTB4 N1/8	\$3.30	FCB4 N1/8	\$1.19	MCB4 N1/8	\$1.19	MEB4 N1/8	\$2.77	YCB4 N1/8	\$3.70
8 mm X 1/4" NPT	BTB8 N1/4	\$3.83	FCB8 N1/4	\$1.78	MCB8 N1/4	\$1.78	MEB8 N1/4	\$4.10	YCB8 N1/4	
8 mm X 3/8" NPT	BTB8 N3/8	\$4.95	FCB8 N3/8	\$1.91	MCB8 N3/8	\$1.91	MEB8 N3/8	\$4.16	YCB8 N3/8	

金属管件 Metal Fittings														
型号	快速排气阀		梭阀		流量控制阀		流量控制阀		排气节流消声器		消声器		手阀	
口径 Port	QE		ST		ASC		AS		BEST		BSL		UV	
10-32					ASC10-32	\$12.87			BESL10-32	\$2.51	BSL 10-32	\$0.95		
1/8	QE	\$13.66	STN1/8	\$13.66	ASCN1/8	\$12.87	ASN1/8	\$8.27	BESLN1/8	\$2.51	BSL N1/8	\$0.95	UV	\$11.66
1/4	QE	\$15.44	STN1/4	\$15.44	ASCN1/4	\$12.87	ASN1/4	\$8.27	BESLN1/4	\$3.17	BSL N1/4	\$1.85	UV6-6	\$11.66
3/8	QE	\$15.44	STN3/8	\$15.44	ASCN3/8	\$14.85	ASN3/8	\$9.90	BESLN3/8	\$4.55	BSL N3/8	\$2.80		
1/2	QEN1/2	\$17.60	STN1/2	\$17.60	ASCN1/2	\$17.82	ASN1/2	\$15.50	BESLN1/2	\$6.27	BSL N1/2	\$4.30		
3/4	QEN3/4	\$41.80	STN3/4	\$41.80										

复合式、不锈钢、镍-镀金的铜制的快速接头规格

Composite, Stainless Steel, & Brass Push-In Fittings Specifications

A. 管配件安装 Installation of Pipe Fittings:

1. 把接头用手拧紧, 然后用扳手旋转2-3个转, 直到到设定的力矩. 螺纹头应涂上密封胶, 或使用特氟隆密封胶布 Tighten fitting by hand, then turn it 2-3 turns with a wrench until it reaches the desire torque listed. If the fitting is not pre-coated with sealant, or is used and the sealant is not in good condition, apply Teflon sealant tape to the threads.

紧固管件时推荐使用的力矩 Recommendation of Torque for Tightening Fittings		
管件螺纹尺寸 Fitting Thread Size	力矩 Torque, lb-ft	力矩 Torque, kgf/cm
10-32, M5 -M6	1.0 -1.5	14 -21
NPT1/8, R1/8	5 -6.5	70 -90
NPT1/4, R1/4	8.5 -10	120 -140
NPT3/8, R3/8	16 -17.5	220 -240
NPT1/2, R1/2	20 -21.5	280 -300

B 配件内的装管安装 Installation of Tubing into Fitting:

1. 将切割好的管子插入接头直至底部 Slowly push a clean and perpendicularly cut tubing into the fitting until it comes to a dead stop.
2. 把管子提起至爪子, 簧片能抓住管子, 才能密封好 Pull the tubing back gently until the Grip Ring or Collet of the fitting grips onto the tubing and has a good seal.
3. 用专门为接头管子设计的聚乙烯. 聚丙烯. 聚亚安酯及尼龙做的管子 Use Polyethylene, Polypropylene, Polyurethane or Nylon Tubing designed for instant fittings.
4. 不锈钢和所有的铜接头能用于硬金属管预先做好凹槽 Hard metal tubing can be used for all metal Stainless Steel and all Brass fittings if the tubing is pre-grooved.

C 从接头拔出管子 Removal of Tubing from Fitting:

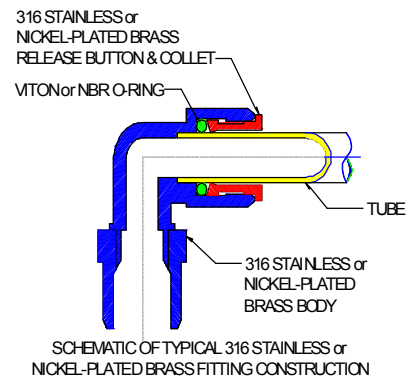
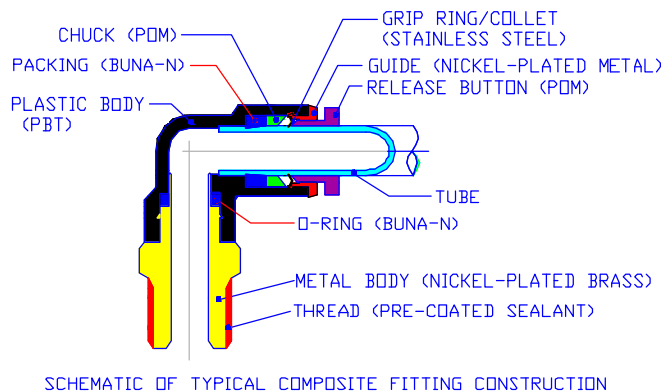
1. 平均在按钮俩边按下 Push in evenly on the two long oval sides of the Release Button.
2. 当按钮压下扣住的簧片松开的时候, 拔出管子 Pull out the tube while depressing the Release Button.
3. 当重复使用管子时, 必将先插进接头的部分切平再用 To reuse the tubing, cut off the lodged portion of the previously used tubing in an even and perpendicular fashion.

D. 推荐装管材料, 大小和坚硬需求 Recommended Tubing Material, Size and Hardness Requirements:

管子材料 Tubing Material	规定尺寸 Specified Size	硬度 (硬度计) Hardness (Durometer)
聚氨酯 Polyurethane	+/- 0.006" (+/-0.15 mm)	Shore A 85 or higher
聚乙烯 Polyethylene	+/- 0.004" (+/-0.1 mm)	Shore D 44 or higher
聚丙烯 Polypropylene	+/- 0.004" (+/-0.1 mm)	Shore D 44 or higher
尼龙 Nylon	+/- 0.004" (+/-0.1 mm)	Shore D 44 or higher
开槽金属管子 Pre-grooved Metal Tubing	+/- 0.004" (+/-0.1 mm)	

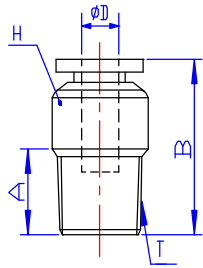
E. 规格. 工程材料和精密的概要 Specifications, Materials of Construction and Schematic of Typical Construction:

	复合式管件 Composite Fittings		不锈钢管件 Stainless Steel Fittings	镍-镀金的铜管件 Nickel-Plated Brass Fittings
	标准-紫色按钮 Standard-Purple Button	K系列-黑色按钮 K Series-Black Button		
操作压力范围 Operating Pressure Range	0 - 150 PSI (0 - 990 kpa)	0 - 180 PSI (0 - 1200 kpa)	0 - 250 PSI (0 - 1650 kpa)	0 - 250 PSI (0 - 1650 kpa)
真空 Vacuum	0 - 29.5 in Hg (750 mm Hg)		0 - 30 in Hg (760 mm) Hg	0 - 30 in Hg (760 mm) Hg
操作温度 Operating Temperature	32 - 140 °F (0 - 60 °C)		5 - 230 °F (-15 to 110 °C)	5 - 230 °F (-15 to 110 °C)
使用材料 Recommended Tubing Material	聚氨酯, 尼龙, 聚乙烯, 聚丙烯 Polyurethane, Nylon, Polyethylene, Polypropylene		聚氨酯, 尼龙, 聚乙烯, 聚丙烯, 硬金属管子 (管子必须先开槽) Polyurethane, Nylon, Polyethylene, Polypropylene, and Hard metal tubing (tubing must be pre-grooved)	
金属体 Metal Body	铜, 镀镍 Brass, Nickel Plated		T316不锈钢 T316 Stainless Steel	镀镍铜 Nickel-Plated Brass
塑料体 Plastic Body	PBT (Polybutylene terephthalate)		无 None	无 None
解开按钮 Release Button	POM (Poly oxy methylene copolymer)		300系列不锈钢 300 series Stainless Steel	镍-镀金的铜 Nickel-Plated Brass
夹圈式夹头 Grip Ring or Collet	300系列不锈钢 300 series Stainless Steel		300系列不锈钢 300 series Stainless Steel	300系列不锈钢 300 series Stainless Steel
O形圈 O-ring	NBR (Buna-N)		VITON	NBR/VITON/EPDM
螺纹密封层 Thread Sealant	特氟隆 Teflon		无 None	特氟隆 Teflon

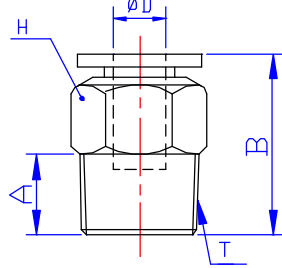


快速接头尺寸

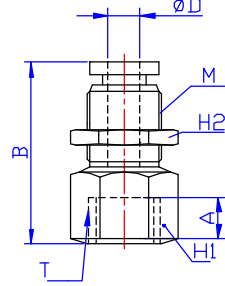
Composite Push-In Fittings Dimensions



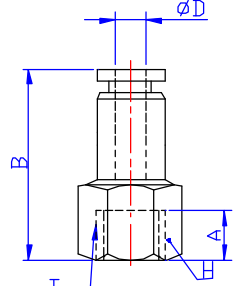
Compact Male Connector,



Male Connector, MC



Bulkhead Connector,



Female Connector,

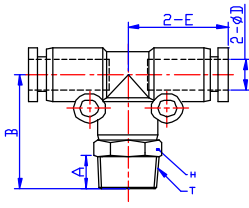
直径 Tube OD	尺寸 T	型号 Model	A	B	H	型号 Model	A	B	H	型号 Model	M	A	H1	H2	B	型号 Model	A	B	H
5/32	10-32UNF	CC 5/32 10-32	3.8	20.3	Ø10.0	MC 5/32 10-32	3.8	20.3	11.1										
5/32	NPT1/8	CC 5/32 N1/8	7.5	19.8	Ø10.0	MC 5/32 N1/8	7.5	19.8	11.1	BC 5/32 N1/8	M12	7.5	14.3	14.3	23.8	FC 5/32 N1/8	7.5	23.8	14.3
5/32	NPT1/4	CC 5/32 N1/4				MC 5/32 N1/4	10.5	18.9	14.3							FC 5/32 N1/4	10.5	26.8	17.4
3/16	10-32UNF	CC 3/16 10-32				MC 3/16 10-32	3.8	20.9	11.1										
3/16	NPT1/8	CC 3/16 N1/8				MC 3/16 N1/8	7.5	20.6	11.1	BC 3/16 N1/8	M14	7.5	14.3	17.4	24.7	FC 3/16 N1/8	7.5	24.4	14.3
3/16	NPT1/4	CC 3/16 N1/4				MC 3/16 N1/4	10.5	23.7	14.3	BC 3/16 N1/4	M14	10.5	17.4	17.4	30.4	FC 3/16 N1/4	10.5	27.4	17.4
3/16	NPT3/8	CC 3/16 N3/8				MC 3/16 N3/8	11	21.2	17.4										
1/4	10-32UNF	CC 1/4 10-32	3.8	21.2	Ø12.0	MC 1/4 10-32	3.8	21.2	12.7										
1/4	NPT1/8	CC 1/4 N1/8	7.5	20.9	Ø12.0	MC 1/4 N1/8	7.5	20.9	12.7	BC 1/4 N1/8	M14	7.5	17.4	17.4	24.7	FC 1/4 N1/8	7.5	24.9	14.3
1/4	NPT1/4	CC 1/4 N1/4	10.5	23.7	Ø14.0	MC 1/4 N1/4	10.5	23.7	14.3	BC 1/4 N1/4	M14	10.5	17.4	17.4	30.4	FC 1/4 N1/4	10.5	27.9	17.4
1/4	NPT3/8	CC 1/4 N3/8				MC 1/4 N3/8	11	21.2	17.4										
5/16	NPT1/8	CC 5/16 N1/8	7.5	25.9	Ø14.0	MC 5/16 N1/8	7.5	25.9	14.3	BC 5/16 N1/8	M16	7.5	19	19	27.9	FC 5/16 N1/8	7.5	26.4	14.3
5/16	NPT1/4	CC 5/16 N1/4	10.5	25.9	Ø14.0	MC 5/16 N1/4	10.5	25.9	14.3	BC 5/16 N1/4	M16	10.5	19	19	35.9	FC 5/16 N1/4	10.5	29.4	17.4
5/16	NPT3/8	CC 5/16 N3/8	11	22.4	Ø17.0	MC 5/16 N3/8	11	22.4	17.4	BC 5/16 N3/8	M16	11	19	19	35.4	FC 5/16 N3/8	11	29.9	22.2
3/8	NPT1/8	CC 3/8 N1/8				MC 3/8 N1/8	7.5	28.2	17.4										
3/8	NPT1/4	CC 3/8 N1/4	10.5	30.5	Ø17.0	MC 3/8 N1/4	10.5	30.5	17.4	BC 3/8 N1/4	M20	10.5	22.2	22.2	31.9	FC 3/8 N1/4			
3/8	NPT3/8	CC 3/8 N3/8	11	27.5	Ø17.0	MC 3/8 N3/8	11	27.5	17.4	BC 3/8 N3/8	M20	11	22.2	22.2	34.7	FC 3/8 N3/8			
3/8	NPT1/2	CC 3/8 N1/2	14	25.8	Ø21.0	MC 3/8 N1/2	14	25.8	22.2										
1/2	NPT1/4	CC 1/2 N1/4	10.5	33.9	Ø21.0	MC 1/2 N1/4	10.5	33.9	22.2							FC 1/2 N1/4			
1/2	NPT3/8	CC 1/2 N3/8	11	30.4	Ø21.0	MC 1/2 N3/8	11	30.4	22.2	BC 1/2 N3/8	M22	11	25.4	25.4	35.4	FC 1/2 N3/8			
1/2	NPT1/2	CC 1/2 N1/2	14	33.4	Ø21.0	MC 1/2 N1/2	14	33.4	22.2	BC 1/2 N1/2	M22	14	25.4	25.4	41.4				

直径 Tube OD	尺寸 T	型号 Model	B	H	型号 Model	B	H	型号 Model	H1	H2	B	型号 Model	B	H
4	M5	CC 4 M5	22.8	10	MC 4 M5	22.8	10							
4	M6	CC 4 M6	24.3	10	MC 4 M6	24.3	10							
4	R1/8	CC 4 R1/8	20.9	10	MC 4 R1/8	20.9	10	BC 4 R1/8	14	14	27.5	FC 4 R1/8	27.5	12
4	R1/4	CC 4 R1/4	23.6	14	MC 4 R1/4	23.6	14	BC 4 R1/4	19	14	30.1	FC 4 R1/4	30.1	17
6	M5	CC 6 M5	24.1	12	MC 6 M5	24.1	12							
6	M6	CC 6 M6	25.8	12	MC 6 M6	25.8	12							
6	R1/8	CC 6 R1/8	22.3	12	MC 6 R1/8	22.3	12	BC 6 R1/8	17	17	28.8	FC 6 R1/8	28.8	14
6	R1/4	CC 6 R1/4	22.2	14	MC 6 R1/4	22.2	14	BC 6 R1/4	17	17	29.2	FC 6 R1/4	29.2	17
6	R3/8	CC 6 R3/8	24.1	17	MC 6 R3/8	24.1	17	BC 6 R3/8	19	17	31.2	FC 6 R3/8	31.2	19
6	R1/2	CC 6 R1/2	28.4	21	MC 6 R1/2	28.4	21							
8	R1/8	CC 8 R1/8	26.2	14	MC 8 R1/8	26.2	14	BC 8 R1/8	17	19	29.6	FC 8 R1/8	29.6	10
8	R1/4	CC 8 R1/4	25.7	14	MC 8 R1/4	25.7	14	BC 8 R1/4	17	19	30.5	FC 8 R1/4	30.5	17
8	R3/8	CC 8 R3/8	28.1	17	MC 8 R3/8	28.1	17	BC 8 R3/8	19	19	31.7	FC 8 R3/8	31.7	19
8	R1/2	CC 8 R1/2	28.0	21	MC 8 R1/2	28.0	21	BC 8 R1/2	24	19	36.8	FC 8 R1/2	36.8	24
10	R1/8	CC 10 R1/8	28.5	17	MC 10 R1/8	28.5	17	BC 10 R1/8	21	24	31.5	FC 10 R1/8	31.5	19
10	R1/4	CC 10 R1/4	30.0	17	MC 10 R1/4	30.0	17	BC 10 R1/4	21	24	32.7	FC 10 R1/4	32.7	19
10	R3/8	CC 10 R3/8	30.8	17	MC 10 R3/8	30.8	17	BC 10 R3/8	21	24	38.4	FC 10 R3/8	38.4	19
10	R1/2	CC 10 R1/2	29.6	21	MC 10 R1/2	29.6	21	BC 10 R1/2	24	24	38.4	FC 10 R1/2	38.4	24
12	R1/4	CC 12 R1/4	34.7	19	MC 12 R1/4	34.7	19	BC 12 R1/4	24	26	33.2	FC 12 R1/4	33.2	21
12	R3/8	CC 12 R3/8	30.5	19	MC 12 R3/8	30.5	19	BC 12 R3/8	24	26	37.0	FC 12 R3/8	37.0	21
12	R1/2	CC 12 R1/2	29.9	21	MC 12 R1/2	29.9	21	BC 12 R1/2	24	26	37.7	FC 12 R1/2	37.7	24

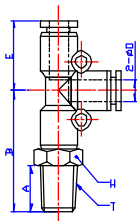
Units in mm

快速接头尺寸

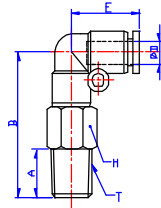
Composite Push-In Fittings Dimensions



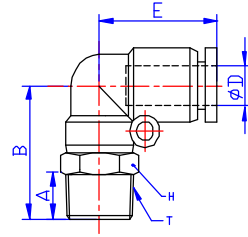
Branch Tee,



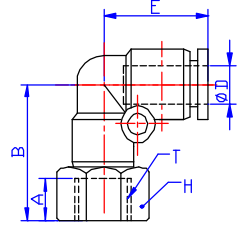
Run Tee,



Extended Elbow,



Male Elbow, ME



Female Elbow, FE

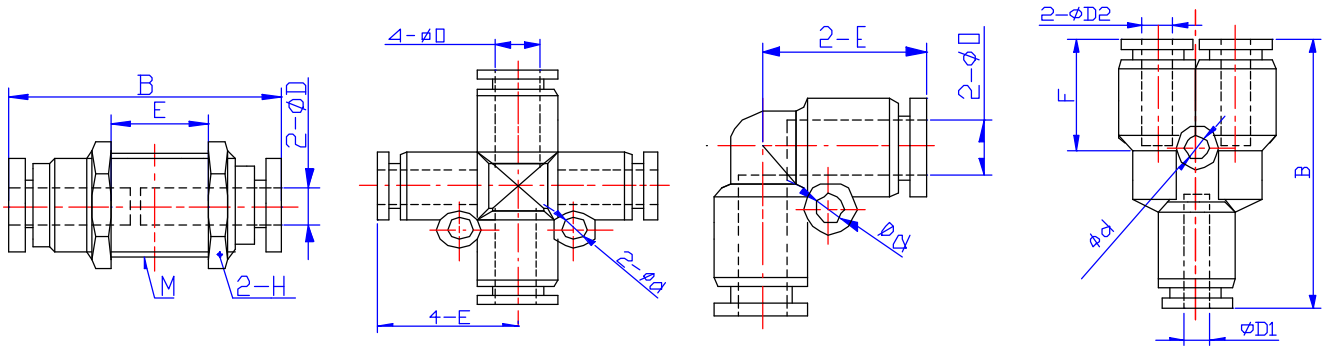
直径ΦD	尺寸 T	A	H	型号 Model	型号 Model	B	E	型号 Model	B	E	型号 Model	B	E	型号 Model	B	E	H
5/32	10-32UNF	3.8	11.1	BT 5/32 10-32	RT 5/32 10-32	23	18.5	EE5/32 10-32	33.5	17.5	ME 5/32 10-32	22	17.5	FE 5/32 10-32			
5/32	NPT1/8	7.5	11.1	BT 5/32 N1/8	RT 5/32 N1/8	25	18.5	EE 5/32 N1/8	36	17.5	ME 5/32 N1/8	24	17.5	FE 5/32 N1/8	23.5	17.5	14.3
5/32	NPT1/4	10.5	14.3	BT 5/32 N1/4	RT 5/32 N1/4	29	18.5				ME 5/32 N1/4	28	17.5	FE 5/32 N1/4			
3/16	10-32UNF	3.8	11.1	BT 3/16 10-32	RT 3/16 10-32	23	18.8				ME 3/16 10-32	22	17.8	FE 3/16 10-32			
3/16	NPT1/8	7.5	11.1	BT 3/16 N1/8	RT 3/16 N1/8	25.5	18.8	EE 3/16 N1/8	36	17.8	ME 3/16 N1/8	24.5	17.8	FE 3/16 N1/8	23.8	17.8	14.3
3/16	NPT1/4	10.5	14.3	BT 3/16 N1/4	RT 3/16 N1/4	29	18.8	EE 3/16 N1/4	39.5	17.8	ME 3/16 N1/4	28	17.8	FE 3/16 N1/4	26.5	17.8	17.4
3/16	NPT3/8	11	17.4	BT 3/16 N3/8	RT 3/16 N3/8	30	18.8	EE 3/16 N3/8	40.5	17.8	ME 3/16 N3/8	29	17.8				
1/4	10-32UNF	3.8	12.7	BT 1/4 10-32	RT 1/4 10-32	24.7	19.3				ME 1/4 10-32	24.4	19	FE 1/4 10-32			
1/4	NPT1/8	7.5	12.7	BT 1/4 N1/8	RT 1/4 N1/8	26	19.3	EE 1/4 N1/8	39.7	19	ME 1/4 N1/8	25.7	19	FE 1/4 N1/8	24.9	19	14.3
1/4	NPT1/4	10.5	14.3	BT 1/4 N1/4	RT 1/4 N1/4	29.5	19.3	EE 1/4 N1/4	43.2	19	ME 1/4 N1/4	29.2	19	FE 1/4 N1/4	27.9	19	17.4
1/4	NPT3/8	11	17.4	BT 1/4 N3/8	RT 1/4 N3/8	30.5	19.3	EE 1/4 N3/8	44.2	19	ME 1/4 N3/8	30.2	19	FE 1/4 N3/8			
5/16	NPT1/8	7.5	14.3	BT 5/16 N1/8	RT 5/16 N1/8	29.45	22.75	EE 5/16 N1/8	44.8	22.8	ME 5/16 N1/8	29.5	22.8	FE 5/16 N1/8	27.5	22.8	14.3
5/16	NPT1/4	10.5	14.3	BT 5/16 N1/4	RT 5/16 N1/4	32.45	22.75	EE 5/16 N1/4	47.8	22.8	ME 5/16 N1/4	32.5	22.8	FE 5/16 N1/4	31	22.8	17.4
5/16	NPT3/8	11	17.4	BT 5/16 N3/8	RT 5/16 N3/8	33.45	22.75	EE 5/16 N3/8	48.8	22.8	ME 5/16 N3/8	33.5	22.8	FE 5/16 N3/8	32	22.8	22.2
3/8	NPT1/8	7.5	17.4	BT 3/8 N1/8	RT 3/8 N1/8	35	27				ME 3/8 N1/8	34.3	26.3				
3/8	NPT1/4	10.5	17.4	BT 3/8 N1/4	RT 3/8 N1/4	38	27	EE 3/8 N1/4	56.3	26.3	ME 3/8 N1/4	37.3	26.3	FE 3/8 N1/4	35.3	26.3	17.4
3/8	NPT3/8	11	17.4	BT 3/8 N3/8	RT 3/8 N3/8	38.5	27	EE 3/8 N3/8	57.8	26.3	ME 3/8 N3/8	37.8	26.3	FE 3/8 N3/8	35.8	26.3	22.2
3/8	NPT1/2	14	22.2	BT 3/8 N1/2	RT 3/8 N1/2	42	27	EE 3/8 N1/2	61.3	26.3	ME 3/8 N1/2	41.3	26.3	FE 3/8 N1/2			
1/2	NPT1/4	10.5	22.2	BT 1/2 N1/4	RT 1/2 N1/4	39.5	29.6	EE 1/2 N1/4	62.5	29.6	ME 1/2 N1/4	39.5	29.6				
1/2	NPT3/8	11	22.2	BT 1/2 N3/8	RT 1/2 N3/8	40	29.6	EE 1/2 N3/8	63	29.6	ME 1/2 N3/8	40	29.6	FE 1/2N3/8	37.5	29.6	22.2
1/2	NPT1/2	14	22.2	BT 1/2 N1/2	RT 1/2 N1/2	43	29.6	EE 1/2 N1/2	66	29.6	ME 1/2 N1/2	43	29.6	FE 1/2N1/2	40.5	29.6	25.4

直径ΦD	管螺纹 Pipe Size	E	型号 Model	型号 Model	B	H	型号 Model	B1	H	型号 Model	B	H	型号 Model	B2	H2
4	M5	18.1	BT 4 M5	RT 4 M5	23.0	10	EE 4 M5	36.1	10	ME 4 M5	23.0	10	FE 4 M5	20.9	10
4	M6	18.1	BT 4 M6	RT 4 M6	22.4	10	EE 4 M6	35.2	10	ME 4 M6	22.4	10	FE 4 M6	20.7	10
4	R1/8	18.1	BT 4 R1/8	RT 4 R1/8	26.1	10	EE 4 R1/8	36.8	10	ME 4 R1/8	26.1	10	FE 4 R1/8	22.3	12
4	R1/4	18.1	BT 4 R1/4	RT 4 R1/4	27.7	14	EE 4 R1/4	36.4	14	ME 4 R1/4	27.7	14	FE 4 R1/4	28.1	17
6	M5	21.1	BT 6 M5	RT 6 M5	25.8	12	EE 6 M5	39.0	12	ME 6 M5	25.8	12	FE 6 M5	23.0	12
6	M6	21.1	BT 6 M6	RT 6 M6	26.4	12	EE 6 M6	39.6	12	ME 6 M6	26.4	12	FE 6 M6	23.1	12
6	R1/8	21.1	BT 6 R1/8	RT 6 R1/8	28.1	12	EE 6 R1/8	38.8	12	ME 6 R1/8	28.1	12	FE 6 R1/8	26.0	14
6	R1/4	21.1	BT 6 R1/4	RT 6 R1/4	29.2	14	EE 6 R1/4	45.0	14	ME 6 R1/4	29.2	14	FE 6 R1/4	28.5	17
6	R3/8	21.1	BT 6 R3/8	RT 6 R3/8	31.7	17	EE 6 R3/8	44.9	17	ME 6 R3/8	31.7	17	FE 6 R3/8	33.4	19
6	R1/2	21.1	BT 6 R1/2	RT 6 R1/2	34.9	21	EE 6 R1/2	48.1	21	ME 6 R1/2	34.9	21			
8	R1/8	23.1	BT 8 R1/8	RT 8 R1/8	30.1	14	EE 8 R1/8	42.2	14	ME 8 R1/8	30.1	14			
8	R1/4	23.1	BT 8 R1/4	RT 8 R1/4	30.8	14	EE 8 R1/4	46.7	14	ME 8 R1/4	30.8	14	FE 8 R1/8	28.6	14
8	R3/8	23.1	BT 8 R3/8	RT 8 R3/8	33.6	17	EE 8 R3/8	46.5	17	ME 8 R3/8	33.6	17	FE 8 R1/4	30.0	17
8	R1/2	23.1	BT 8 R1/2	RT 8 R1/2	35.2	21	EE 8 R1/2	52.7	21	ME 8 R1/2	35.2	21	FE 10 R1/8	30.7	17
10	R1/8	27.9	BT 10 R1/8	RT 10 R1/8	32.6	17	EE 10 R1/8	53.1	17	ME 10 R1/8	32.6	17			
10	R1/4	27.9	BT 10 R1/4	RT 10 R1/4	35.1	17	EE 10 R1/4	56.3	17	ME 10 R1/4	35.1	17	FE 10 R1/4	31.1	17
10	R3/8	27.9	BT 10 R3/8	RT 10 R3/8	36.6	17	EE 10 R3/8	57.0	17	ME 10 R3/8	36.6	17	FE 10 R3/8	34.4	19
10	R1/2	27.9	BT 10 R1/2	RT 10 R1/2	38.6	21	EE 10 R1/2		21	ME 10 R1/2	38.6	21	FE 10 R1/2	37.8	24
12	R1/4	28.3	BT 12 R1/4	RT 12 R1/4	35.2	19	EE 12 R1/4	62.6	19	ME 12 R1/4	35.2	19	FE 12 R1/4	36.4	19
12	R3/8	28.3	BT 12 R3/8	RT 12 R3/8	37.5	19	EE 12 R3/8	62.9	19	ME 12 R3/8	37.5	19	FE 12 R3/8	39.0	19
12	R1/2	28.3	BT 12 R1/2	RT 12 R1/2	39.8	21	EE 12 R1/2		21	ME 12 R1/2	39.8	21	FE 12 R1/2	42.8	24

Units in mm

快速接头尺寸

Composite Push-In Fittings Dimensions



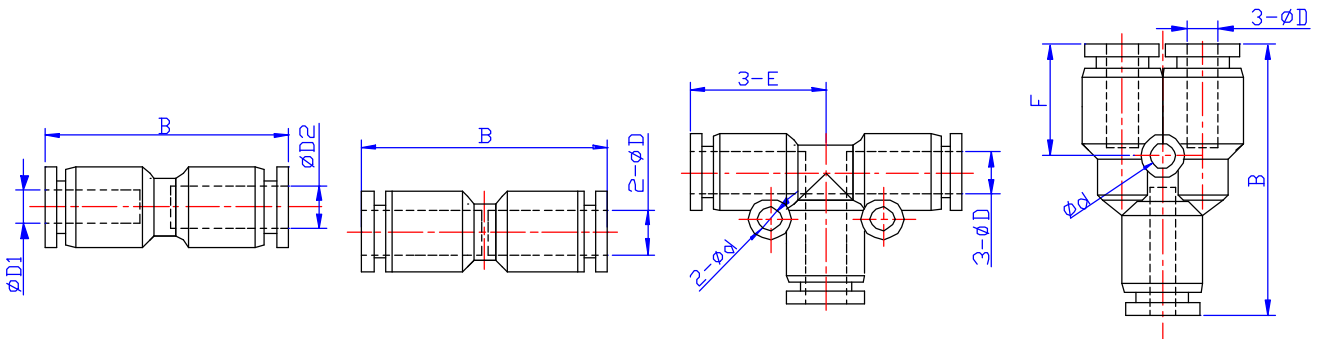
Bulkhead Union, BU

Cross Union, CU

Elbow Union, EU

Reduced Branch, RB

直径ØD	型号 Model	B	E	H	M	型号 Model	直径 Ød	E	型号 Model	E	直径 Ød	型号 Model	直径 ØD1	直径 ØD2	直径 Ød	B	F
5/32	BU 5/32	30.1	9.7	14.3	M12	CU 5/32	3.2	17.5	EU 5/32	17.5	3.2	RB 3/16-5/32	3/16	5/32	3.2	35.8	14.0
3/16	BU 3/16	31.8	7.5	17.4	M14	CU 3/16	3.2	17.8	EU 3/16	17.8	3.2	RB 1/4-5/32	1/4	5/32	3.2	36.8	14.5
1/4	BU 1/4	31.8	7.5	17.4	M14	CU 1/4	3.2	19.3	EU 1/4	19	3.2	RB 1/4-3/16	1/4	3/16	3.2	37.1	14.8
5/16	BU 5/16	35.3	6.8	19.0	M16	CU 5/16	3.2	22.75	EU 5/16	22.8	3.2	RB 5/16-1/4	5/16	1/4	3.2	39.9	17.7
3/8	BU 3/8	36.4	8.9	22.2	M20	CU 3/8	4.2	27	EU 3/8	26.3	4.2	RB 3/8-1/4					
1/2	BU 1/2	45.3	12.8	25.4	M22	CU 1/2	4.3	29.6	EU 1/2	29.6	4.3	RB 3/8-5/16	3/8	5/16	4.2	47.9	20.3
												RB 1/2-3/8	1/2	3/8	4.2	51.6	20.0
4	BU 4	35.2	13.4	14.0	12.0	CU 4	2.0	18.2	EU 4	18.2	3.0						
6	BU 6	35.4	14.3	17.0	14.0	CU 6	3.0	21.0	EU 6	21.0	3.0	RB 6-4		10.5	2.0	36.7	14.5
8	BU 8	41.1	16.2	19.0	16.0	CU 8	3.0	23.0	EU 8	23.0	3.0	RB 8-6		13.2	3.0	42.4	17.2
10	BU 10	44.7	16.6	24.0	20.0	CU 10	3.0	27.4	EU 10	27.4	3.0	RB 10-8		14.8	4.0	50.2	20.1
12	BU 12	45.3	16.6	26.0	22.0	CU 12	2.5	27.4	EU 12	27.4	3.0	RB 12-10		18.4	4.0	54.6	22.4



Reduced Union, RU

Straight Union, SU

Tee Union, TU

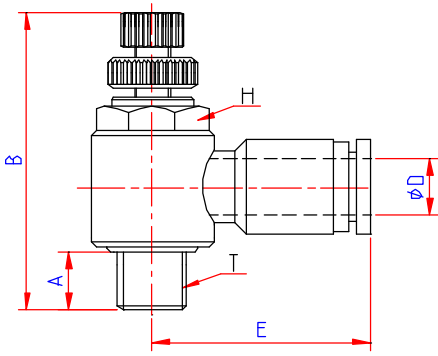
Y Union, YU

部件型号 Part No.	直径 ØD1	直径 ØD2	B	部件型号 Part No.	直径 ØD	B	部件型号 Part No.	直径 ØD	直径 Ød	E	部件型号 Part No.	直径 ØD	直径 Ød	B	F
RU 3/16-5/32	3/16	5/32	33.3	SU 5/32	5/32	33	TU 5/32	5/32	3.2	18.5	YU 5/32	5/32	3.2	35.5	14.0
RU 1/4-5/32	1/4	5/32	34.9	SU 3/16	3/16	33.6	TU 3/16	3/16	3.2	18.8	YU 3/16	3/16	3.2	36.1	14.3
RU 1/4-3/16	1/4	3/16	35.2	SU 1/4	1/4	35.2	TU 1/4	1/4	3.2	19.3	YU 1/4	1/4	3.2	37.1	14.8
RU 5/16-1/4	5/16	1/4	38.6	SU 5/16	5/16	39.1	TU 5/16	5/16	3.2	22.75	YU 5/16	5/16	3.2	40.4	18.2
RU 3/8-1/4	3/8			SU 3/8	3/8	45.2	TU 3/8	3/8	4.2	27	YU 3/8	3/8	4.2	47.1	19.5
RU 3/8-5/16	3/8	5/16	47.3	SU 1/2	1/2	49.2	TU 1/2	1/2	4.3	29.6	YU 1/2	1/2	4.2	53.2	21.6
RU 1/2-3/8	1/2	3/8	48.9												
				SU 4		30.8	TU 4		3	18.2	YU 4		3	33.5	14.9
RU 6-4	4	6	33.9	SU 6		37.6	TU 6		3	21	YU 6		3	37	15.8
RU 8-6	6	8	38.7	SU 8		39.5	TU 8		3	23	YU 8		3	38.4	16
RU 10-8	8	10	42.5	SU 10		47.1	TU 10		3	27.4	YU 10		4	52.1	19.1
RU 12-10	10	12	47.4	SU 12		50.3	TU 12		3	27.4	YU 12		4	54.8	21.6

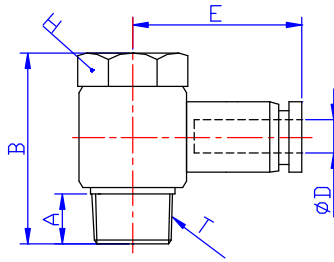
Units in mm

快速接头尺寸

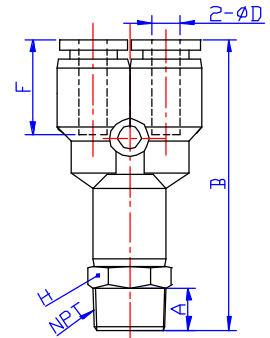
Composite Push-In Fittings Dimensions



管外的液压调节 CV = Control Valve (meter-out)
管内的液压调节 CI = Control Valve (meter-in)



Universal Elbow, UE



Y Connector, YC

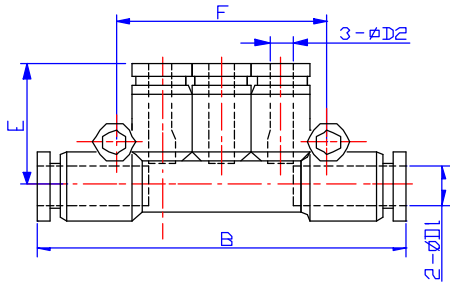
直径 ϕD	尺寸 T	A	H	型号 Model (CV/CI)	B	E	型号 Model	B	E	部件型号 Part No.	A	B	F	H
5/32	10-32	3.8	8	CV 5/32 10-32	29.3	20	UE 5/32 10-32	17	20	YC 5/32 10-32	3.8	40	14	11.1
5/32	NPT1/8	7.5	11.1	CV 5/32 N1/8	40.1	22.6	UE 5/32 N1/8	23.5	22.3	YC 5/32 N1/8	7.5	42	14	11.1
5/32	NPT1/4									YC 5/32 N1/4	10.5	46	14	14.3
3/16	10-32	3.8	8				UE 3/16 10-32	17	20.3	YC 3/16 10-32	3.8	40.3	14.3	11.1
3/16	NPT1/8	7.5	11.1				UE 3/16 N1/8	23.5	22.6	YC 3/16 N1/8	7.5	42.8	14.3	11.1
3/16	NPT1/4	10.5	14.3				UE 3/16 N1/4	27.3	24.3	YC 3/16 N1/4	10.5	46.3	14.3	14.3
3/16	NPT3/8									YC 3/16 N3/8	11	47.3	14.3	17.4
1/4	10-32	3.8	8	CV 1/4 10-32	29.3	22				YC 1/4 10-32	3.8	42.5	14.8	12.7
1/4	NPT1/8	7.5	11.1	CV 1/4 N1/8	40.1	23.1	UE 1/4 N1/8	23.5	23.1	YC 1/4 N1/8	7.5	43.8	14.8	12.7
1/4	NPT1/4	10.5	14.3	CV 1/4 N1/4	47.2	25.1	UE 1/4 N1/4	27.3	25.1	YC 1/4 N1/4	10.5	47.3	14.8	14.3
1/4	NPT3/8	11	19	CV 1/4 N3/8	53.9	26.8				YC 1/4 N3/8	11	48.3	14.8	17.4
5/16	NPT1/8	7.5	11.1	CV 5/16 N1/8	40.1	25.6	UE 5/16 N1/8	23.5	25.6	YC 5/16 N1/8	7.5	47.1	18.2	14.3
5/16	NPT1/4	10.5	14.3	CV 5/16 N1/4	47.2	28.6	UE 5/16 N1/4	27.3	28.6	YC 5/16 N1/4	10.5	50.1	18.2	14.3
5/16	NPT3/8	11	19	CV 5/16 N3/8	53.9	29.6	UE 5/16 N3/8	32.4	29.6	YC 5/16 N3/8	11	51.1	18.2	17.4
3/8	NPT1/8									YC 3/8 N1/8	7.5	55.1	19.5	17.4
3/8	NPT1/4	10.5	14.3	CV 3/8 N1/4	47.2	31	UE 3/8 N1/4	27.3	31	YC 3/8 N1/4	10.5	58.1	19.5	17.4
3/8	NPT3/8	11	19	CV 3/8 N3/8	53.9	31.6	UE 3/8 N3/8	32.4	31.6	YC 3/8 N3/8	11	58.6	19.5	17.4
3/8	NPT1/2	14	25.4	CV 3/8 N1/2	58.4	34.6				YC 3/8 N1/2	14	62.1	19.5	22.2
1/2	NPT1/4									YC 1/2 N1/4	10.5	63.1	21.6	22.2
1/2	NPT3/8	11	19	CV 1/2 N3/8	53.9	35.6	UE 1/2 N3/8	32.4	35.6	YC 1/2 N3/8	11	63.6	21.6	22.2
1/2	NPT1/2	14	25.4	CV 1/2 N1/2	58.4	36.6	UE 1/2 N1/2	39.1	36.6	YC 1/2 N1/2	14	66.6	21.6	22.2

直径 ϕD	尺寸 T	H	型号 Model (CV/CI)	E	型号 Model	型号 Model	B	F	H
4	M5	8	CV 4 M5	20.7	UE 4 M5	YC 4 M5	38.8	13.8	10
4	M6	8	CV 4 M6	20.6	UE 4 M6	YC 4 M6	38.5	13.9	10
4	R1/8	10	CV 4 R1/8	22.2	UE 4 R1/8	YC 4 R1/8	40.1	14.3	10
4	R1/4	14	CV 4 R1/4	27.3	UE 4 R1/4	YC 4 R1/4	42.5	13.9	14
6	M5	8	CV 6 M5	23.1	UE 6 M5	YC 6 M5	41.6	15.5	12
6	M6	8	CV 6 M6	23.8	UE 6 M6	YC 6 M6	42.8	15.3	12
6	R1/8	10	CV 6 R1/8	23.6	UE 6 R1/8	YC 6 R1/8	44.3	15.5	12
6	R1/4	14	CV 6 R1/4	25.5	UE 6 R1/4	YC 6 R1/4	44.8	15.3	14
6	R3/8	19	CV 6 R3/8	27.8	UE 6 R3/8	YC 6 R3/8	47.6	15.4	17
6	R1/2					YC 6 R1/2	50.6	15.1	21
8	R1/8	10	CV 8 R1/8	26.5	UE 8 R1/8	YC 8 R1/8	45.4	16.9	14
8	R1/4	14	CV 8 R1/4	27.8	UE 8 R1/4	YC 8 R1/4	46.4	16.9	14
8	R3/8	19	CV 8 R3/8	31.4	UE 8 R3/8	YC 8 R3/8	48.3	15.7	17
8	R1/2	24	CV 8 R1/2	30.3	UE 8 R1/2	YC 8 R1/2	50.5	17.1	21
10	R1/8					YC 10 R1/8	57.0	21.0	17
10	R1/4	14	CV 10 R1/4	34.0	UE 10 R1/4	YC 10 R1/4	59.3	21.2	17
10	R3/8	19	CV 10 R3/8	33.4	UE 10 R3/8	YC 10 R3/8	60.5	20.0	17
10	R1/2	24	CV 10 R1/2	35.2	UE 10 R1/2	YC 10 R1/2	62.9	21.4	21
12	R1/4	14	CV 12 R1/4	34.2	UE 12 R1/4	YC 12 R1/4	61.4	21.9	19
12	R3/8	19	CV 12 R3/8	34.2	UE 12 R3/8	YC 12 R3/8	63.4	21.8	19
12	R1/2	24	CV 12 R1/2	37.2	UE 12 R1/2	YC 12 R1/2	65.5	21.8	21

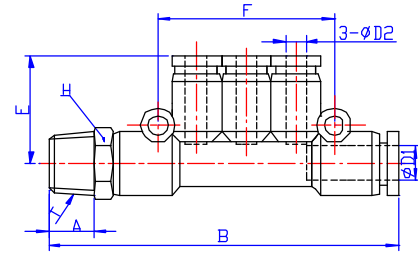
Units in mm

快速接头尺寸

Composite Push-In Fittings Dimensions

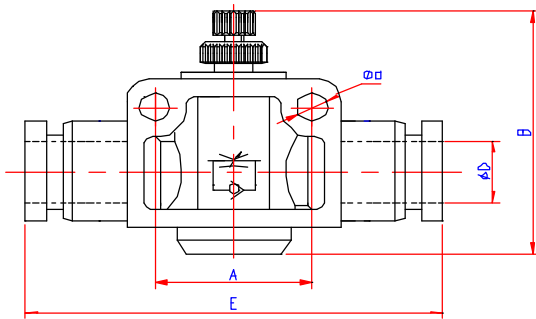


Manifold Union, MU



Male Manifold, MM

型号 Part No.	直径 ØD	B	E	F	型号Model	直径 1ØD1	直径 2ØD2	B	E	F	型号Part No.	直径 1ØD1	直径 2ØD2	T	A	B	E	F	H
MU 5/32	5/32	57	19	36	MU 3/16-5/32	3/16	5/32	57.6	19	36	MM 3/16-5/32-N1/8	3/16	5/32	NPT 1/8	7.5	64.3	19	36	11.1
MU 3/16	3/16	57.6	19.3	36	MU 1/4-5/32	1/4	5/32	57.6	19	36	MM 1/4-5/32-N1/8	1/4	5/32	NPT 1/8	7.5	64.3	19	36	12.7
MU 1/4	1/4	61.6	20.3	42	MU 5/16-5/32	5/16	5/32	62.6	20	42	MM 5/16-5/32-N1/4	5/16	5/32	NPT 1/4	10.5	72.3	20	42	14.3
MU 5/16	5/16	81.6	24.3	48	MU 5/16-3/16	5/16	3/16	62.6	20.3	42	MM 5/16-3/16-N1/4	5/16	3/16	NPT 1/4	10.5	72.3	20.3	42	14.3
					MU 5/16-1/4	5/16	1/4	62.6	20.3	42	MM 5/16-1/4-N1/4	5/16	1/4	NPT 1/4	10.5	72.3	20.3	42	14.3
					MU 3/8-1/4	3/8	1/4	80	23.8	48	MM 3/8-5/16-N3/8	3/8	5/16	NPT 3/8	11	91.5	24.3	48	17.4
					MU 3/8-5/16	3/8	5/16	80	24.3	48									
											MM06-04-R1/8	6.0	4.0	R1/8		68.5		40.4	12
					MU-6-04	6.0	4.0	61.3		40.4	MM08-6-R1/4	8.0	6.0	R1/4		69.9		40.9	14
					MU-8-04	8.0	4.0	61.7		40.9	MM10-8-R3/8	10.0	8.0	R3/8		91.6		47.9	17
					MU-8-06	8.0	6.0	62.7		40.9									
					MU-10-06	10.0	6.0	82.9		47.1									
					MU-10-08	10.0	8.0	83.0		47.9									

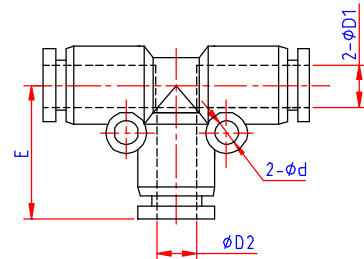


Flow Control Valve, FV

型号 Part No.	直径 ØD	直径 Ød	A	B	E
FV 5/32	5/32	3.2	14	28.8	39.5
FV 3/16	3/16	3.2	14	28.8	40.1
FV 1/4	1/4	4.3	20	42.6	47.6
FV 5/16	5/16	4.3	22	44.3	52.6
FV 3/8	3/8	4.3	26	53.4	60.5
FV 1/2	1/2	4.3	32	55.6	74.2

FV-4	4	3.0			39.9
FV-6	6	4.0			49.6
FV-8	8	4.0			55.2
FV-10	10	4.0			64.9
FV-12	12	4.0			75.7

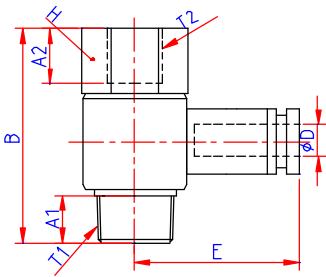
Units in mm



Tee Union Reducer, TU

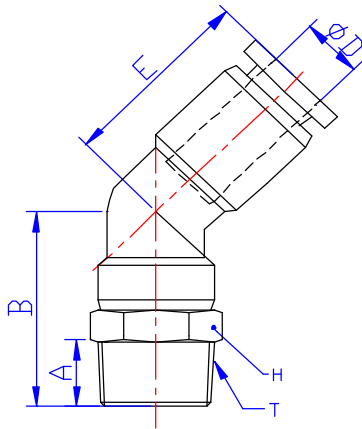
TU				
型号Model	直径1 ØD1	直径2 ØD2	直径 Ød	E
TU 1/4-5/32	1/4	5/32	3.2	19.0
TU 5/16-1/4	5/16	1/4	3.2	22.3
TU 3/8-5/16	3/8	5/16	3.2	27.8
TU 1/2-3/8	1/2	3/8	4.2	29.3

快速接头尺寸 Composite Push-In Fittings Dimensions



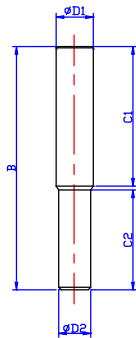
Stack Elbow, SE

SE								
直径 ØD	尺寸T1	尺寸T2	型号 Model	A1	A2	H	B	E
5/32	10-32UNF	10-32UNF	SE 5/32 10-32	3.8	5.5	11.1	19.5	20
	NPT1/8	NPT1/8	SE 5/32 N1/8	7.5	7.5	14.3	30	22.3
3/16	10-32UNF	10-32UNF	SE 3/16 10-32	3.8	5.5	11.1	19.5	20.3
	NPT1/8	NPT1/8	SE 3/16 N1/8	7.5	7.5	14.3	30	22.6
1/4	NPT1/4	NPT1/4	SE 3/16 N1/4	10.5	10.5	17.4	35.8	24.3
	NPT1/8	NPT1/8	SE 1/4 N1/8	7.5	7.5	14.3	30	23.1
5/16	NPT1/4	NPT1/4	SE 1/4 N1/4	10.5	10.5	17.4	35.8	25.1
	NPT1/8	NPT1/8	SE 5/16 N1/8	7.5	7.5	14.3	30	25.6
3/8	NPT3/8	NPT3/8	SE 5/16 N3/8	11	11	22.2	40.9	29.6
	NPT1/4	NPT1/4	SE 3/8 N1/4	10.5	10.5	17.4	35.8	31
1/2	NPT3/8	NPT3/8	SE 3/8 N3/8	11	11	22.2	40.9	31.6
	NPT1/2	NPT1/2	SE 1/2 N3/8	14	14	25.4	49	35.6
	NPT1/2	NPT1/2	SE 1/2 N1/2	14	14	25.4	49	36.6



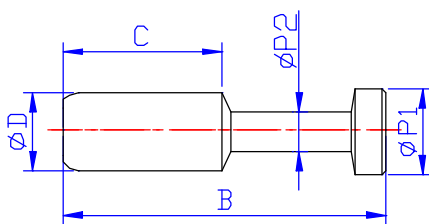
Male Angle, MA

MA						
直径 ØD	NPT	型号 Model	A	B	E	H
5/32	10-32UNF	MA 5/32 10-32	3.8	20.7	16.2	11.1
	NPT1/8	MA 5/32 N1/8	7.5	22.7		14.3
	NPT1/4	MA 5/32 N1/4	10.5	26.7		14.3
3/16	10-32UNF	MA 3/16 10-32	3.8	20.7	16.5	11.1
	NPT1/8	MA 3/16 N1/8	7.5	23.2		14.3
	NPT1/4	MA 3/16 N1/4	10.5	26.7		17.4
1/4	NPT3/8	MA 3/16 N3/8	11	27.7	17.7	12.7
	10-32UNF	MA 1/4 10-32	3.8	23.1		14.3
	NPT1/8	MA 1/4 N1/8	7.5	24.4		17.4
5/16	NPT1/4	MA 1/4 N1/4	10.5	27.9	20.9	14.3
	NPT1/8	MA 1/4 N3/8	11	28.9		17.4
	NPT3/8	MA 1/4 N3/8	11	28.9		17.4
3/8	NPT1/8	MA 5/16 N1/8	7.5	27.6	22.2	17.4
	NPT1/4	MA 5/16 N1/4	10.5	30.6		17.4
	NPT3/8	MA 5/16 N3/8	11	31.6		17.4
	NPT1/8	MA 3/8 N1/8	7.5	30.2		22.2
1/2	NPT1/4	MA 3/8 N1/4	10.5	33.2	26.3	17.4
	NPT3/8	MA 3/8 N3/8	11	33.7		17.4
	NPT1/2	MA 3/8 N1/2	14	37.2		22.2
	NPT1/4	MA 1/2 N1/4	10.5	36.2		22.2
	NPT3/8	MA 1/2 N3/8	11	36.7	22.2	22.2
	NPT1/2	MA 1/2 N1/2	14	39.7	22.2	22.2



Stem Reducer, SR

SR					
型号 Model	直径 1ØD1	直径 2ØD2	C1	C2	B
SR 3/16-5/32	3/16	5/32	18	17	36
SR 1/4-5/32	1/4	5/32	18	17	36
SR 1/4-3/16	1/4	3/16	18	17	36
SR 5/16-1/4	3/16	1/4	20	18	39
SR 3/8-5/16	3/8	5/16	25	20	46
SR 1/2-3/8	1/2	3/8	27	26	54



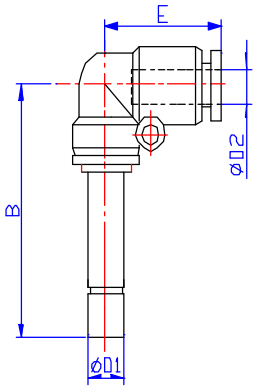
Plug, PG

PG					
型号 Model	直径 ØD	B	ØP1	ØP2	C
PG 5/32	5/32	28	5	3	15
PG 3/16	3/16	28	5	3	15
PG 1/4	1/4	33	7	3	17
PG 5/16	5/16	37	9	4	18
PG 3/8	3/8	42	11	5	20.5
PG 1/2	1/2	44	13	6	23

Units in mm

复合式, 不锈钢, 镍-镀金铜制快速接头尺寸

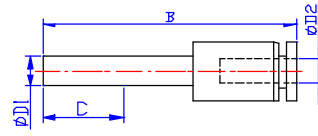
Composite, Stainless Steel & Nickel-Plated Brass Push-In Fittings Dimensions



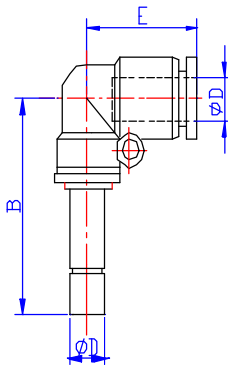
Elbow Reducer, ER

ER				
模型 Model	ØD1	ØD2	B	E
ER 1/8-5/32	5/32	1/8	33	17.5
ER 5/32-1/4	1/4	5/32	35	17.5
ER 1/4-3/8	3/8	1/4	42.5	22.8
ER 1/4-5/16	5/16	1/4	39.2	19
ER 5/16-3/8	3/8	5/16	42.5	22.8
ER 3/8-1/2	1/2	3/8	52.8	26.3

Tube Reducer, TR

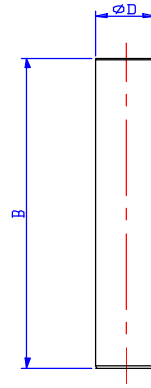


TR (Tube Reducer)				
模型 Model	ØD1	ØD2	B	C
TR 5/32-1/4	1/4	5/32	39.5	16
TR 5/32-5/16	5/16	5/32	41.5	18.6
TR 1/4-5/16	5/16	1/4	41.8	18.6
TR 1/4-3/8	3/8	1/4	46.5	20
TR 5/16-3/8	3/8	5/16	46.5	20
TR 1/4-1/2	1/2	1/4	51.8	23.5
TR 5/16-1/2	1/2	5/16	52.3	23.5
TR 3/8-1/2	1/2	3/8	51.5	23.5



Plug-In Elbow, PE

PE			
模型 Model	ØD	B	E
PE 5/32	5/32	33	17.5
PE 3/16	3/16	33	17.8
PE 1/4	1/4	36.2	19
PE 5/16	5/16	42.5	22.8
PE 3/8	3/8	50.8	26.3
PE 1/2	1/2	54.5	29.6



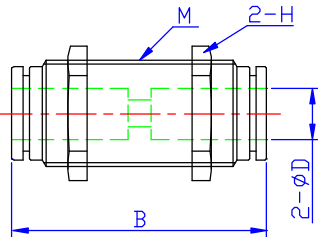
Stem Coupling, SC

SC		
模型 Model	ØD	B
SC 5/32	5/32	35
SC 3/16	3/16	35
SC 1/4	1/4	37
SC 5/16	5/16	41
SC 3/8	3/8	51
SC 1/2	1/2	54

不锈钢, 镍-镀金的铜制快速接头的尺寸

Stainless Steel & Nickel Plated Brass Push-In Fittings Dimensions

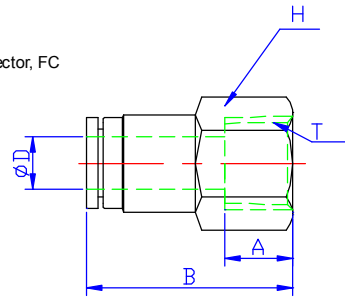
Bulkhead Union, BU



型号 Part No.	型号 Part No.	直径 ØD	B	M	H
BUB 1/8	BUS 1/8	1/8	30.7	M10X1	S12
BUB 5/32	BUS 5/32	5/32	30.7	M10X1	S12
BUB 1/4	BUS 1/4	1/4	35.5	M12X1	S17
BUB 5/16	BUS 5/16	5/16	37	M17X1	S19
BUB 3/8	BUS 3/8	3/8	39	M17X1	S19
BUB 1/2	BUS 1/2	1/2	44	M21X1	S23

BUB 4	BUS 4	4	30.7	M10X1	S12
BUB 6	BUS 6	6	35.5	M12X1	S17
BUB 8	BUS 8	8	37	M17X1	S19
BUB 10	BUS 10	10			
BUB 12	BUS 12	12			

Female Connector, FC



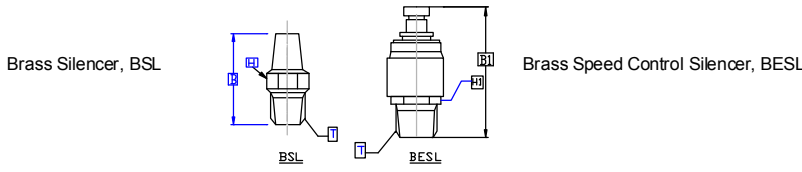
型号 Part No	型号 Part No	直径 ØD	尺寸 T, Thread	A	B	H
FCB 1/8 10-32	FCS 1/8 10-32	1/8	10-32	5.4	21	S12
FCB 1/8 N1/8	FCS 1/8 N1/8	1/8	1/8 NPT	9	22	S14
FCB 5/32 10-32	FCS 5/32 10-32	5/32	10-32	5.4	21	S12
FCB 5/32 N1/8	FCS 5/32 N1/8	5/32	1/8 NPT	9	22	S14
FCB 1/4 N1/8	FCS 1/4 N1/8	1/4	1/8 NPT	9	25.7	S14
FCB 1/4 N1/4	FCS 1/4 N1/4	1/4	1/4 NPT	12	28.7	S17
FCB 1/4 N3/8	FCS 1/4 N3/8	1/4	3/8 NPT	12.5	29.2	S19
FCB 5/16 N1/4	FCS 5/16 N1/4	5/16	1/4 NPT	12	31.5	S17
FCB 3/8 N1/4	FCS 3/8 N1/4	3/8	1/4 NPT	12	31	S17
FCB 3/8 N3/8	FCS 3/8 N3/8	3/8	3/8 NPT	12.5	33	S19
FCB 3/8 N1/2	FCS 3/8 N1/2	3/8	1/2 NPT	14.7	35.5	S24
FCB 1/2 N1/4	FCS 1/2 N1/4	1/2	1/4 NPT	12	33.2	S19
FCB 1/2 N3/8	FCS 1/2 N3/8	1/2	3/8 NPT	12.5	33.7	S19
FCB 1/2 N1/2	FCS 1/2 N1/2	1/2	1/2 NPT	15.8	37	S24

FCB 4 M5	FCS 4 M5	4	M5	5.4	21	S12
FCB 4 N1/8	FCS 4 N1/8	4	1/8 NPT	9	22	S14
FCB 8 N1/4	FCS 8 N1/4	8	1/4 NPT	12	31.5	S17
FCB 8 N3/8	FCS 8 N3/8	8	3/8 NPT	12.5	32.5	S19

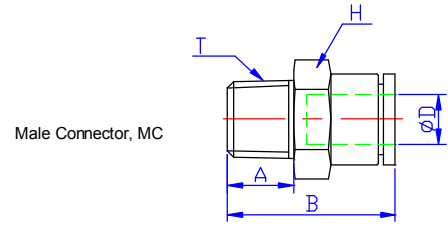
Units in mm

不锈钢,镍-镀金铜制快速接头尺寸

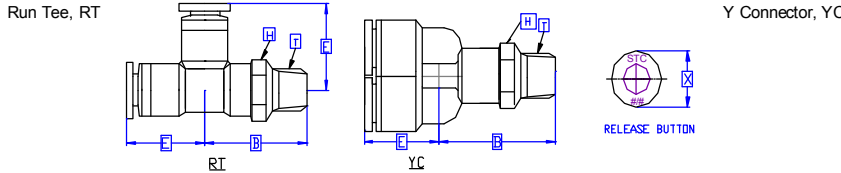
Stainless Steel & Nickel-Plated Brass Push-In Fittings Dimensions



型号 Part No.	型号 Part No.	Port NPT	A	B	H	B1	H1
BSL-N1/8	BESL-N1/8	1/8	0.39	0.99	0.47	1.37	0.47
BSL-N1/4	BESL-N1/4	1/4	0.47	1.28	0.59	1.56	0.55
BSL-N3/8	BESL-N3/8	3/8	0.53	1.60	0.75	1.77	0.66
BSL-N1/2	BESL-N1/2	1/2	0.59	1.85	0.86	2.31	0.94

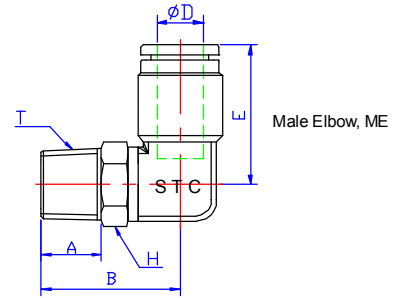
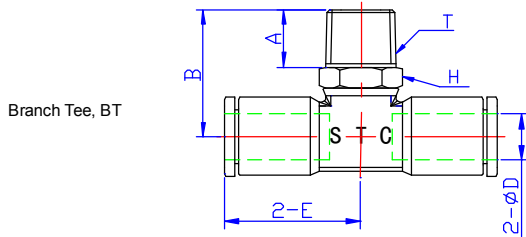


型号 Part No	型号 Part No	直径ØD	尺寸Pipe Size	A	B	H
MCB 1/8 10-32	MCS 1/8 10-32	1/8	10-32	5	20	S11
MCB 1/8 N1/8	MCS 1/8 N1/8	1/8	1/8 NPT	8	17	S11
MCB 1/8 N1/4	MCS 1/8 N1/4	1/8	1/4 NPT	11	21	S14
MCB 5/32 10-32	MCS 5/32 10-32	5/32	10-32	5	20	S10
MCB 5/32 N1/8	MCS 5/32 N1/8	5/32	1/8 NPT	8	17	S11
MCB 1/4 N1/8	MCS 1/4 N1/8	1/4	1/8 NPT	8	21	S12
MCB 1/4 N1/4	MCS 1/4 N1/4	1/4	1/4 NPT	11	21	S14
MCB 1/4 N3/8	MCS 1/4 N3/8	1/4	3/8 NPT	12.5	22.5	S17
MCB 1/4 10-32	MCS 1/4 10-32	1/4	10-32	5	23	S12
MCB 5/16 N1/4	MCS 5/16 N1/4	5/16	1/4 NPT	11	25.5	S14
MCB 5/16 N3/8	MCS 5/16 N3/8	5/16	3/8 NPT	12.5	24	S17
MCB 3/8 N1/8	MCS 3/8 N1/8	3/8	1/8 NPT	9	29	S17
MCB 3/8 N1/4	MCS 3/8 N1/4	3/8	1/4 NPT	11	27	S17
MCB 3/8 N3/8	MCS 3/8 N3/8	3/8	3/8 NPT	12.5	26	S17
MCB 3/8 N1/2	MCS 3/8 N1/2	3/8	1/2 NPT	15	28	S22
MCB 1/2 N1/4	MCS 1/2 N1/4	1/2	1/4 NPT	11	33	S19
MCB 1/2 N3/8	MCS 1/2 N3/8	1/2	3/8 NPT	12.5	29.8	S19
MCB 1/2 N1/2	MCS 1/2 N1/2	1/2	1/2 NPT	15	30.4	S22



型号 Part No	型号 Part No	型号 Part No	型号 Part No	直径 Tube OD	尺寸 Thread	A	B	H	E	X
RTB 5/32 10-32	RTS 5/32 10-32	YCB 5/32 10-32	YCS 5/32 10-32	5/32	10-32	0.24	0.99	0.31	0.81	0.39
RTB 5/32 N1/8	RTS 5/32 N1/8	YCB 5/32 N1/8	YCS 5/32 N1/8	5/32	1/8 NPT	0.39	0.86	0.47	0.81	0.39
RTB 1/4 N1/8	RTS 1/4 N1/8	YCB 1/4 N1/8	YCS 1/4 N1/8	1/4	1/8 NPT	0.37	0.85	0.47	0.97	0.47
RTB 1/4 N1/4	RTS 1/4 N1/4	YCB 1/4 N1/4	YCS 1/4 N1/4	1/4	1/4 NPT	0.51	1.02	0.55	0.97	0.47
RTB 1/4 N3/8	RTS 1/4 N3/8	YCB 1/4 N3/8	YCS 1/4 N3/8	1/4	3/8 NPT	0.53	1.14	0.67	0.97	0.47
RTB 5/16 N1/4	RTS 5/16 N1/4	YCB 5/16 N1/4	YCS 5/16 N1/4	5/16	1/4 NPT	0.50	1.09	0.55	1.18	0.67
RTB 5/16 N3/8	RTS 5/16 N3/8	YCB 5/16 N3/8	YCS 5/16 N3/8	5/16	3/8 NPT	0.53	1.09	0.67	1.18	0.67
RTB 3/8 N1/4	RTS 3/8 N1/4	YCB 3/8 N1/4	YCS 3/8 N1/4	3/8	1/4 NPT	0.50	1.09	0.55	1.18	0.67
RTB 3/8 N3/8	RTS 3/8 N3/8	YCB 3/8 N3/8	YCS 3/8 N3/8	3/8	3/8 NPT	0.53	1.09	0.67	1.18	0.67
RTB 3/8 N1/2	RTS 3/8 N1/2	YCB 3/8 N1/2	YCS 3/8 N1/2	3/8	1/2 NPT	0.60	1.18	0.87	1.18	0.67
RTB 1/2 N3/8	RTS 1/2 N3/8	YCB 1/2 N3/8	YCS 1/2 N3/8	1/2	3/8 NPT	0.53	1.17	0.67	1.28	0.75
RTB 1/2 N1/2	RTS 1/2 N1/2	YCB 1/2 N1/2	YCS 1/2 N1/2	1/2	1/2 NPT	0.60	1.26	0.86	1.28	0.75

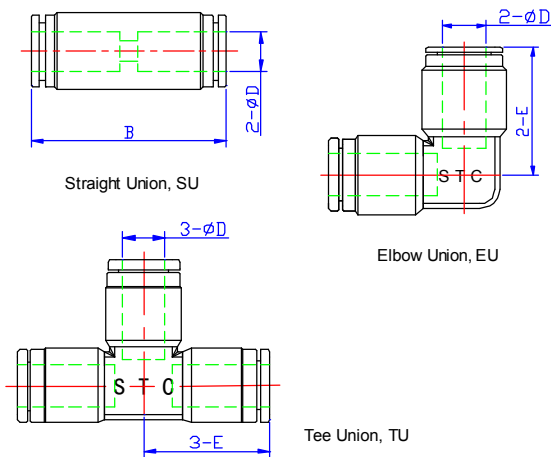
RTB 4 M5	RTS 4 M5	YCB 4 M5	YCS 4 M5	4mm	M5	0.24	0.99	0.31	0.81	0.39
RTB 4 N1/8	RTS 4 N1/8	YCB 4 N1/8	YCS 4 N1/8	4mm	1/8 NPT	0.39	0.86	0.47	0.81	0.39
RTB 8 N1/4	RTS 8 N1/4	YCB 8 N1/4	YCS 8 N1/4	8mm	1/4 NPT	0.50	1.09	0.55	1.18	0.67
RTB 8 N3/8	RTS 8 N3/8	YCB 8 N3/8	YCS 8 N3/8	8mm	3/8 NPT	0.53	1.09	0.67	1.18	0.67



直径ØD	尺寸T, Thread	H	型号 Part No	型号 Part No	A	B	E	型号 Part No	型号 Part No	A	B	E
1/8	10-32	S11	BTB 1/8 10-32	BTS 1/8 10-32	5.4	19.4	16.2	MEB 1/8 10-32	MES 1/8 10-32	5.4	19.4	16.2
1/8	1/8 NPT	S11	BTB 1/8 N1/8	BTS 1/8 N1/8	8.2	22.4	16.2	MEB 1/8 N1/8	MES 1/8 N1/8	8.1	18.8	16.2
5/32"	10-32	S11	BTB 5/32 10-32	BTS 5/32 10-32	5.4	19.4	16.2	MEB 5/32 10-32	MES 5/32 10-32	5.4	19.5	16.2
5/32"	1/8 NPT	S11	BTB 5/32 N1/8	BTS 5/32 N1/8	8.2	19.4	16.2	MEB 5/32 N1/8	MES 5/32 N1/8	8.1	19.1	16.2
1/4"	1/8 NPT	S11	BTB 1/4 N1/8	BTS 1/4 N1/8	8.2	21	20	MEB 1/4 N1/8	MES 1/4 N1/8	8.1	21	17.5
1/4"	1/4 NPT	S14	BTB 1/4 N1/4	BTS 1/4 N1/4	11.5	24.7	20	MEB 1/4 N1/4	MES 1/4 N1/4	11.5	25.3	17.5
1/4"	3/8 NPT	S17	BTB 1/4 N3/8	BTS 1/4 N3/8	12	25.2	20	MEB 1/4 N3/8	MES 1/4 N3/8	12	25.8	17.5
5/16"	1/4 NPT	S14	BTB 5/16 N1/4	BTS 5/16 N1/4	11.5	25.9	21.5	MEB 5/16 N1/4	MES 5/16 N1/4	11.5	26.6	22.5
5/16	3/8 NPT	S17	BTB 5/16 N3/8	BTS 5/16 N3/8	12	26.4	21.5					
3/8"	1/4 NPT	S14	BTB 3/8 N1/4	BTS 3/8 N1/4	11.5	27.5	25.5	MEB 3/8 N1/4	MES 3/8 N1/4	11.5	26.5	25.8
3/8"	3/8 NPT	S17	BTB 3/8 N3/8	BTS 3/8 N3/8	12	28	25.5	MEB 3/8 N3/8	MES 3/8 N3/8	12	27	25.8
3/8"	1/2 NPT	S22	BTB 3/8 N1/2	BTS 3/8 N1/2	15	31	25.5	MEB 3/8 N1/2	MES 3/8 N1/2	15	30	25.8
1/2	1/4 NPT	S14	BTB 1/2 N1/4	BTS 1/2 N1/4	15	28.8	27.5	MEB 1/2 N1/4	MES 1/2 N1/4	11.5	27.8	27.4
1/2"	3/8 NPT	S17	BTB 1/2 N3/8	BTS 1/2 N3/8	12	29.3	27.5	MEB 1/2 N3/8	MES 1/2 N3/8	12	28.3	27.4
1/2"	1/2 NPT	S22	BTB 1/2 N1/2	BTS 1/2 N1/2	15	32.3	27.5	MEB 1/2 N1/2	MES 1/2 N1/2	15	31.3	27.4

4	M5	S11	BTB 4 M5	BTS 4 M5	5.4	19.4	16.2	MEB 4 M5	MES 4 M5	5.4	19.5	16.2
4	1/8 NPT		BTB 4 N1/8	BTS 4 N1/8	8.2			MEB 4 N1/8	MES 4 N1/8	8.2	11.8	16.2
8	1/4 NPT	S14	BTB 8 N1/4	BTS 8 N1/4	11.5	25.9	21.5	MEB 8 N1/4	MES 8 N1/4	11.5	26.6	22.5
8	3/8 NPT	S17	BTB 8 N3/8	BTS 8 N3/8	12	26.4	21.5	MEB 8 N3/8	MES 8 N3/8	12	27.1	22.5

Units in mm

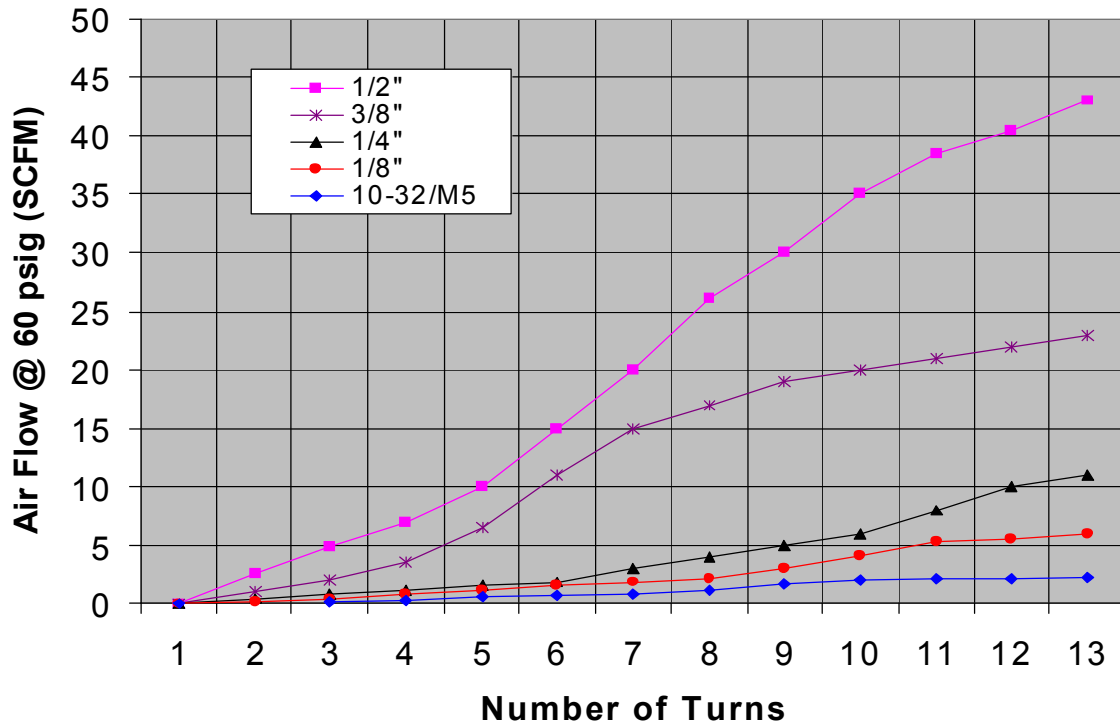


直径 ΦD	型号 Part No.	型号 Part No.	E	型号 Part No.	型号 Part No.	B	型号 Part No.	型号 Part No.	E
1/8	EUB 1/8	EUS 1/8	16.2	SUB 1/8	SUS 1/8	35.5	TUB 1/8	TUS 1/8	16.25
5/32	EUB 5/32	EUS 5/32	16.2	SUB 5/32	SUS 5/32	35.5	TUB 5/32	TUS 5/32	16.25
1/4	EUB 1/4	EUS 1/4	17.5	SUB 1/4	SUS 1/4	35.5	TUB 1/4	TUS 1/4	20
5/16	EUB 5/16	EUS 5/16	22.5	SUB 5/16	SUS 5/16	37	TUB 5/16	TUS 5/16	22.6
3/8	EUB 3/8	EUS 3/8	25.8	SUB 3/8	SUS 3/8	44	TUB 3/8	TUS 3/8	25.5
1/2	EUB 1/2	EUS 1/2	27.4	SUB 1/2	SUS 1/2	42.4	TUB 1/2	TUS 1/2	27.5

4mm	EUB 4	EUS 4	16.2	SUB 4	SUS 4		TUB 4	TUS 4	16.25
6mm	EUB 6	EUS 6		SUB 6	SUS 6	35.5	TUB 6	TUS 6	
8mm	EUB 8	EUS 8	22.5	SUB 8	SUS 8	37	TUB 8	TUS 8	22.6
10mm	EUB 10	EUS 10		SUB 10	SUS 10		TUB 10	TUS 10	
12mm	EUB 12	EUS 12		SUB 12	SUS 12		TUB 12	TUS 12	

STC气控阀的多角度流程图

ANGLE FLOW CONTROL VALVES AIR FLOW CHARACTERISTICS

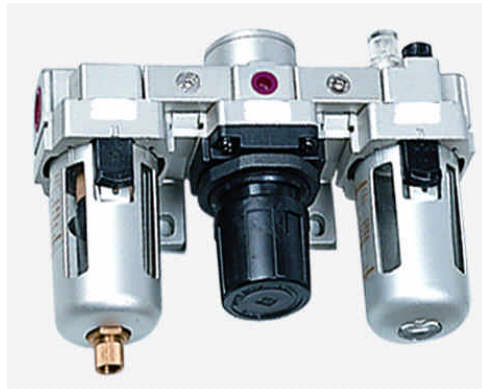


特征的区别 Special Features:

- 在螺栓周围的阀体能完全旋转, 能达到最适合位置装管 Complete rotation of the valve body around the bolt allows for optimum positioning of tubing
- 精巧的形状能提供较大的安装空间 Compact in size provide space saving installations
- 特别调整设计允许较精密和较大的调整幅度 Special adjustment needle design allows large adjustment ranges with high precision
- 针和阀能调整, 避免意外失针或锁死螺帽 Adjustment needles and banjo bodies are retained, preventing accidental loss of needle or lock nut

气源处理器

Filter-Regulator-Lubricator



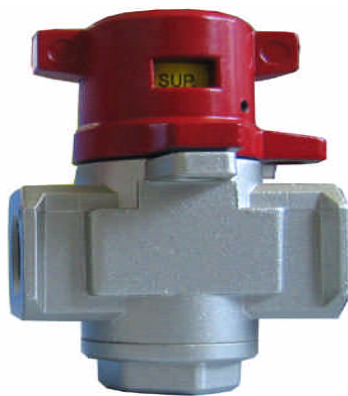
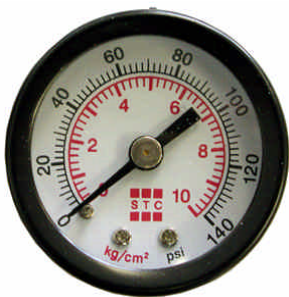
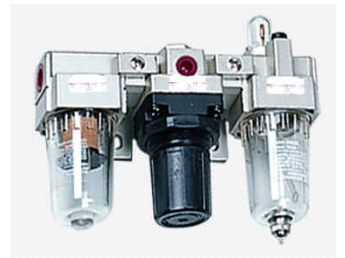
优良的品质
Fine Quality

精密的制作
Precision Engineered

STC™

先进的设计
Advanced Design

称心的价格
Excellent Prices



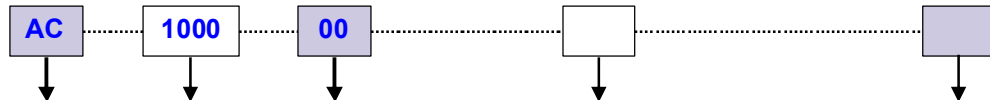
目录 Contents

气源处理器数字系统	Filter Regulator Lubricator Numbering System.....	B2
气源处理器价格表	Filter Regulator Lubricator List Price.....	B3-5
气源处理器配件价格表	FRL Accessories List Price.....	B6
气源处理器流程图	Filter Regulator Lubricator Flow Charts.....	B7-11
气源处理器尺寸	Filter Regulator Lubricator Dimensions.....	B12-15
气源处理器规格	Filter Regulator Lubricator Specifications.....	B16

气源处理器数字系统

Filter Regulator Lubricator Numbering System

订购码 Ordering Part No. =
(e.g. AC 1000-00-D)



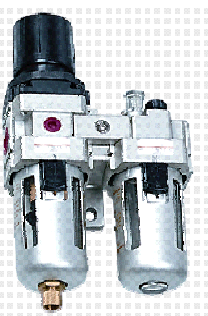


型号 Model	元件大小 Body Size	口径尺寸 Port Size	标准特征 Standard Features	选项 Options
AC = 过滤-调压-油雾器 Filter-Regulator-Lubricator AF = 空气过滤器 Filter AL = 油雾器 Lubricator AR = 调压器 Regulator AW = 空气过滤-调压组合 Stacking Filter-Regulator VHS = 带锁型二位三通释放式节流阀 Relieving Shut-off/Lockout Valve	1000 2000 3000 4000 5000	00 = 10-32 (M5) 01 = 1/8 NPT 02 = 1/4 NPT 03 = 3/8 NPT 04 = 1/2 NPT 06 = 3/4 NPT 10 = 1 NPT	空白=以下特征 Blank = Following Features: 聚碳酸酯碗 Polycarbonate Bowl (3000-5000金属防护罩) (3000-5000 Series with Steel Bowl Shield) 125PSI调压范围 125 PSI Regulating Range 半自动差压排水 Semi-auto Differential Drain 25微米铜制过滤器 25 Micron Sintered Brass Filter	D =自动排水 D = Automatic Drain DC =排水螺母, 有手控关阀 DC = Drain Cock (with manual shut off valve) M =金属碗, (有视镜) M = Metal Bowl (with sight glass) P30 =30PSI调压范围 P30 = 30PSI Regulating Range P60 =60PSI调压范围 P60 = 60 PSI Regulating Range F5 =5微米PP过滤器 F5 = 5 Micron PP Filter N =没有 N = Without B =支架 B = Bracket G =气压表 G = Pressure Gauge
AC = 空气过滤-调压-油雾组合 Stacking Filter-Regulator-Lubricator	1010 2010 3010 4010 5010			

气源处理器价格表

Filter-Regulator-Lubricator List Price



部件型号 Part No.	说明(包括支架和调压表) Description (*includes Bracket & Gauge)	价格表 List Price
	AC1000-M5 M5/10-32 过滤-调压-油雾器 Filter-Regulator-Lubricator* (3 SCFM)	\$46.83*
	AC 2000-01 1/8" NPT 过滤-调压-油雾器 Filter-Regulator-Lubricator* (18 SCFM)	\$49.16*
	AC 2000-01D 1/8" NPT 过滤-调压-油雾器 Filter-Regulator-Lubricator* with Auto Drain (18 SCFM)	\$65.98*
	AC 2000-01M 1/8" NPT 过滤-调压-油雾器-金属防护罩 Filter-Regulator-Lubricator* Metal Bowl (18 SCFM)	\$57.96*
	AC 2000-01DM 1/8" NPT 过滤-调压-油雾器-自动排水-金属防护罩 Filter-Regulator-Lubricator* with Auto Drain & Metal Bowl (18 SCFM)	\$68.00*
	AC 2000-02 1/4" NPT 过滤-调压-油雾器 Filter-Regulator-Lubricator* (18 SCFM)	\$49.16*
	AC 2000-02D 1/4" NPT 过滤-调压-油雾器-自动排水 Filter-Regulator-Lubricator* with Auto Drain (18 SCFM)	\$65.98*
	AC 2000-02M 1/4" NPT 过滤-调压-油雾器-金属防护罩 Filter-Regulator-Lubricator* Metal Bowl (18 SCFM)	\$57.96*
	AC 2000-02DM 1/4" NPT 过滤-调压-油雾器-自动排水-金属防护罩 Filter-Regulator-Lubricator* with Auto Drain & Metal Bowl (18 SCFM)	\$68.00*
	AC 3000-02 1/4" NPT 过滤-调压-油雾器 Filter-Regulator-Lubricator* (70 SCFM)	\$75.60*
	AC 3000-02D 1/4" NPT 过滤-调压-油雾器-自动排水 Filter-Regulator-Lubricator* with Auto Drain (70 SCFM)	\$97.59*
	AC 3000-02M 1/4" NPT 过滤-调压-油雾器-金属防护罩 Filter-Regulator-Lubricator* with Metal Bowl (70 SCFM)	\$88.79*
	AC 300002DM 1/4" NPT 过滤-调压-油雾器-自动排水-金属防护罩 Filter-Regulator-Lubricator* with Auto Drain & Metal Bowl (70 SCFM)	\$110.79*
	AC 3000-03 3/8" NPT 过滤-调压-油雾器 Filter-Regulator-Lubricator* (70 SCFM)	\$75.60*
	AC 3000-03D 3/8" NPT 过滤-调压-油雾器-自动排水 Filter-Regulator-Lubricator* with Auto Drain (70 SCFM)	\$97.59*
	AC 3000-03M 3/8" NPT 过滤-调压-油雾器-金属防护罩 Filter-Regulator-Lubricator* with Metal Bowl (70 SCFM)	\$88.79*
	AC 300003DM 3/8" NPT 过滤-调压-油雾器-自动排水-金属防护罩 Filter-Regulator-Lubricator* with Auto Drain & Metal Bowl (70 SCFM)	\$110.79*
	AC 4000-03 3/8" NPT 过滤-调压-油雾器 Filter-Regulator-Lubricator* (140 SCFM)	\$101.97*
	AC 4000-03D 3/8" NPT 过滤-调压-油雾器-自动排水 Filter-Regulator-Lubricator* with Auto Drain (140 SCFM)	\$129.38*
	AC 4000-03M 3/8" NPT 过滤-调压-油雾器-金属防护罩 Filter-Regulator-Lubricator* with Metal Bowl (140 SCFM)	\$128.37*
	AC 4000-03DM 3/8" NPT 过滤-调压-油雾器-自动排水-金属防护罩 Filter-Regulator-Lubricator* with Auto Drain & Metal Bowl (140 SCFM)	\$143.77*
	AC 4000-04 1/2" NPT 过滤-调压-油雾器 Filter-Regulator-Lubricator* (140 SCFM)	\$101.97*
	AC 4000-04D 1/2" NPT 过滤-调压-油雾器-自动排水 Filter-Regulator-Lubricator* with Auto Drain (140 SCFM)	\$129.38*
	AC 4000-04M 1/2" NPT 过滤-调压-油雾器-金属防护罩 Filter-Regulator-Lubricator* with Metal Bowl (140 SCFM)	\$128.37*
	AC 4000-04DM 1/2" NPT 过滤-调压-油雾器-自动排水-金属防护罩 Filter-Regulator-Lubricator* with Auto Drain & Metal Bowl (140 SCFM)	\$143.77*
	AC 4000-06 3/4" NPT 过滤-调压-油雾器 Filter-Regulator-Lubricator* (160 SCFM)	\$111.53*
	AC 4000-06D 3/4" NPT 过滤-调压-油雾器-自动排水 Filter-Regulator-Lubricator* with Auto Drain (160 SCFM)	\$138.94*
	AC 4000-06M 3/4" NPT 过滤-调压-油雾器-金属防护罩 Filter-Regulator-Lubricator* with Metal Bowl (160 SCFM)	\$137.93*
	AC 4000-06DM 3/4" NPT 过滤-调压-油雾器-自动排水-金属防护罩 Filter-Regulator-Lubricator* with Auto Drain & Metal Bowl (160 SCFM)	\$153.33*
	AC 5000-10 1" NPT 过滤-调压-油雾器 Filter-Regulator-Lubricator* (180 SCFM)	\$140.58*
	AC 5000-10D 1" NPT 过滤-调压-油雾器-自动排水 Filter-Regulator-Lubricator* with Auto Drain (180 SCFM)	\$176.87*
	AC 5000-10M 1" NPT 过滤-调压-油雾器-金属防护罩 Filter-Regulator-Lubricator* with Metal Bowl (180 SCFM)	\$166.98*
	AC 5000-10DM 1" NPT 过滤-调压-油雾器-自动排水-金属防护罩 Filter-Regulator-Lubricator* with Auto Drain & Metal Bowl (180 SCFM)	\$182.38*
	AC 1010-M5 M5/10-32 过滤-调压-油雾器 Stacking Filter-Regulator-Lubricator* (3 SCFM)	\$41.88*
	AC 2010-01 1/8" NPT 过滤-调压-油雾器 Stacking Filter-Regulator-Lubricator* (18 SCFM)	\$44.55*
	AC 2010-01D 1/8" NPT 过滤-调压-油雾器-自动排水 Stacking Filter-Regulator-Lubricator* with Auto Drain (18 SCFM)	\$61.41*
	AC 2010-01M 1/8" NPT 过滤-调压-油雾器-金属防护罩 Stacking Filter-Regulator-Lubricator* with Metal Bowl (18 SCFM)	\$53.35*
	AC 2010-01DM 1/8" NPT 过滤-调压-油雾器-自动排水-金属防护罩 Stacking Filter-Regulator-Lubricator* with Auto Drain & Metal Bowl (18 SCFM)	\$68.00*
	AC 2010-02 1/4" NPT 过滤-调压-油雾器 Stacking Filter-Regulator-Lubricator* (18 SCFM)	\$44.55*
	AC 2010-02D 1/4" NPT 过滤-调压-油雾器-自动排水 Stacking Filter-Regulator-Lubricator* with Auto Drain (18 SCFM)	\$61.41*
	AC 2010-02M 1/4" NPT 过滤-调压-油雾器-金属防护罩 Stacking Filter-Regulator-Lubricator* with Metal Bowl (18 SCFM)	\$53.35*
	AC 2010-02DM 1/4" NPT 过滤-调压-油雾器-自动排水-金属防护罩 Stacking Filter-Regulator-Lubricator* with Auto Drain & Metal Bowl (18 SCFM)	\$68.00*
	AC 3010-02 1/4" NPT 过滤-调压-油雾器 Stacking Filter-Regulator-Lubricator* (60 SCFM)	\$62.37*
	AC 3010-02D 1/4" NPT 过滤-调压-油雾器-自动排水 Stacking Filter-Regulator-Lubricator* with Auto Drain (60 SCFM)	\$84.37*
	AC 3010-02M 1/4" NPT 过滤-调压-油雾器-金属防护罩 Stacking Filter-Regulator-Lubricator* with Metal Bowl (60 SCFM)	\$75.57*
	AC 3010-02DM 1/4" NPT 过滤-调压-油雾器-自动排水-金属防护罩 Stacking Filter-Regulator-Lubricator* with Auto Drain & Metal Bowl (60 SCFM)	\$88.77*
	AC 3010-03 3/8" NPT 过滤-调压-油雾器 Stacking Filter-Regulator-Lubricator* (60 SCFM)	\$62.37*
	AC 3010-03D 3/8" NPT 过滤-调压-油雾器-自动排水 Stacking Filter-Regulator-Lubricator* with Auto Drain (60 SCFM)	\$84.37*
	AC 3010-03M 3/8" NPT 过滤-调压-油雾器-金属防护罩 Stacking Filter-Regulator-Lubricator* with Metal Bowl (60 SCFM)	\$75.57*
	AC 3010-03DM 3/8" NPT 过滤-调压-油雾器-自动排水-金属防护罩 Stacking Filter-Regulator-Lubricator* with Auto Drain & Metal Bowl (60 SCFM)	\$88.77*
	AC 4010-03 3/8" NPT 过滤-调压-油雾器 Stacking Filter-Regulator-Lubricator* (105 SCFM)	\$90.09*
	AC 4010-03D 3/8" NPT 过滤-调压-油雾器-自动排水 Stacking Filter-Regulator-Lubricator* with Auto Drain (105 SCFM)	\$117.50*
	AC 4010-03M 3/8" NPT 过滤-调压-油雾器-金属防护罩 Stacking Filter-Regulator-Lubricator* with Metal Bowl (105 SCFM)	\$116.49*
	AC 4010-03DM 3/8" NPT 过滤-调压-油雾器-自动排水-金属防护罩 Stacking Filter-Regulator-Lubricator* with Auto Drain & Metal Bowl (105 SCFM)	\$131.89*
	AC 4010-04 1/2" NPT 过滤-调压-油雾器 Stacking Filter-Regulator-Lubricator* (105 SCFM)	\$90.09*
	AC 4010-04D 1/2" NPT 过滤-调压-油雾器-自动排水 Stacking Filter-Regulator-Lubricator* with Auto Drain (105 SCFM)	\$117.50*
	AC 4010-04M 1/2" NPT 过滤-调压-油雾器-金属防护罩 Stacking Filter-Regulator-Lubricator* with Metal Bowl (105 SCFM)	\$116.49*
	AC 4010-04DM 1/2" NPT 过滤-调压-油雾器-自动排水-金属防护罩 Stacking Filter-Regulator-Lubricator* with Auto Drain & Metal Bowl (105 SCFM)	\$131.89*
	AC 4010-06 3/4" NPT 过滤-调压-油雾器 Stacking Filter-Regulator-Lubricator* (105 SCFM)	\$102.96*
	AC 4010-06D 3/4" NPT 过滤-调压-油雾器-自动排水 Stacking Filter-Regulator-Lubricator* with Auto Drain (105 SCFM)	\$130.37*
	AC 4010-06M 3/4" NPT 过滤-调压-油雾器-金属防护罩 Stacking Filter-Regulator-Lubricator* with Metal Bowl (105 SCFM)	\$129.36*
	AC 4010-06DM 3/4" NPT 过滤-调压-油雾器-自动排水-金属防护罩 Stacking Filter-Regulator-Lubricator* with Auto Drain & Metal Bowl (105 SCFM)	\$144.76*
	AC 5010-10 1" NPT 过滤-调压-油雾器 Stacking Filter-Regulator-Lubricator* (140 SCFM)	\$128.70*
	AC 5010-10D 1" NPT 过滤-调压-油雾器-自动排水 Stacking Filter-Regulator-Lubricator* with Auto Drain (140 SCFM)	\$156.11*
	AC 5010-10M 1" NPT 过滤-调压-油雾器-金属防护罩 Stacking Filter-Regulator-Lubricator* with Metal Bowl (140 SCFM)	\$155.10*
	AC 5010-10DM 1" NPT 过滤-调压-油雾器-自动排水-金属防护罩 Stacking Filter-Regulator-Lubricator* with Auto Drain & Metal Bowl (140 SCFM)	\$170.50*
		

气源处理器的价格表

Filter-Regulator-Lubricator List Price

	型号 Part No.	说明 (包括支架和调压表) Description (* Includes Bracket & Gauge)	价格表 List Price
 <p>调压阀 Includes Bracket & Gauge</p>	AR1000-M5	M5/10-32 调压阀Regulator* (4 SCFM)	\$19.76*
	AR2000-01	1/8" NPT 调压阀Regulator* (19 SCFM)	\$20.45*
	AR2000-02	1/4" NPT 调压阀Regulator* (19 SCFM)	\$20.45*
	AR2500-02	1/4" NPT 调压阀Regulator* (50 SCFM)	\$29.21*
	AR3000-02	1/4" NPT 调压阀Regulator* (88 SCFM)	\$31.68*
	AR3000-03	3/8" NPT调压阀Regulator* (88 SCFM)	\$31.68*
	AR4000-03	3/8" NPT 调压阀Regulator* (210 SCFM)	\$42.23*
	AR4000-04	1/2" NPT 调压阀Regulator* (210 SCFM)	\$42.23*
	AR4000-06	3/4" NPT 调压阀Regulator* (210 SCFM)	\$48.84*
	AR5000-10	1" NPT 调压阀Regulator* (280 SCFM)	\$52.82*
 <p>过滤器 FILTIR</p>	AF1000-M5	M5 过滤器Filter (4 SCFM)	\$11.88
	AF2000-01	1/8" NPT 过滤器Filter (26 SCFM)	\$12.23
	AF2000-01D	1/8" NPT 过滤器-自动排水Filter with Auto Drain (26 SCFM)	\$29.10
	AF2000-01M	1/8" NPT 过滤器-金属防护罩Filter with Metal Bowl (26 SCFM)	\$18.21
	AF2000-01DM	1/8" NPT过滤器-自动排水-金属防护罩 Filter with Auto Drain & Metal Bowl (26 SCFM)	\$30.69
	AF2000-02	1/4" NPT 过滤器Filter (26 SCFM)	\$12.23
	AF2000-02D	1/4" NPT 过滤器-自动排水Filter with Auto Drain (26 SCFM)	\$29.10
	AF2000-02M	1/4" NPT过滤器-金属防护罩 Filter with Metal Bowl (26 SCFM)	\$18.21
	AF2000-02DM	1/4" NPT过滤器-自动排水-金属防护罩 Filter Auto Drain Metal Bowl(26 SCFM)	\$30.69
	 <p>金属外罩过滤器 With Metal Bowl</p>  <p>聚碳酸酯和金属防护罩 Polycarbonate Bowl with Metal Shield</p>	AF3000-02	1/4" NPT 过滤器Filter (70 SCFM)
AF3000-02D		1/4" NPT 过滤器-自动排水Filter with Auto Drain (70 SCFM)	\$40.48
AF3000-02M		1/4" NPT 过滤器-金属防护罩 Filter with Metal Bowl (70 SCFM)	\$25.07
AF3000-02DM		1/4" NPT 过滤器-自动排水-金属防护罩 Filter Auto Drain & Metal Bowl (70 SCFM)	\$44.00
AF3000-03		3/8" NPT 过滤器Filter (70 SCFM)	\$18.47
AF3000-03D		3/8" NPT过滤器-自动排水 Filter with Auto Drain (70 SCFM)	\$40.48
AF3000-03M		3/8" NPT 过滤器-金属防护罩 Filter with Metal Bowl (70 SCFM)	\$25.07
AF3000-03DM		3/8" NPT 过滤器-自动排水-金属防护罩 Filter Auto Drain & Metal Bowl (70 SCFM)	\$44.00
AF4000-03		3/8" NPT 过滤器Filter (140 SCFM)	\$25.74
AF4000-03D		3/8" NPT 过滤器-自动排水 Filter with Auto Drain (140 SCFM)	\$47.74
AF4000-03M		3/8" NPT 过滤器-金属防护罩 Filter with Metal Bowl (140 SCFM)	\$32.34
AF4000-03DM		3/8" NPT 过滤器-自动排水-金属防护罩 Filter Auto Drain & Metal Bowl (140 SCFM)	\$54.34
AF4000-04		1/2" NPT 过滤器Filter (140 SCFM)	\$25.74
AF4000-04D		1/2" NPT 过滤器-自动排水 Filter with Auto Drain (140 SCFM)	\$47.74
AF4000-04M		1/2" NPT 过滤器-金属防护罩Filter with Metal Bowl (140 SCFM)	\$32.34
AF4000-04DM		1/2" NPT 过滤器-自动排水-金属防护罩Filter Auto Drain & Metal Bowl (140 SCFM)	\$54.34
AF4000-06		3/4" NPT 过滤器Filter (210 SCFM)	\$28.71
AF4000-06D		3/4" NPT 过滤器-自动排水 Filter with Auto Drain (210 SCFM)	\$56.12
AF4000-06M		3/4" NPT 过滤器-金属防护罩Filter with Metal Bowl (210 SCFM)	\$35.31
AF4000-06DM		3/4" NPT 过滤器-自动排水-金属防护罩Filter Auto Drain & Metal Bowl (210 SCFM)	\$57.31
AF5000-10	1" NPT 过滤器Filter (245 SCFM)	\$38.27	
AF5000-10D	1" NPT 过滤器-自动排水 Filter with Auto Drain (245 SCFM)	\$65.73	
AF5000-10M	1" NPT 过滤器-金属防护罩 Filter with Metal Bowl (245 SCFM)	\$44.87	
AF5000-10DM	1" NPT过滤器-自动排水-金属防护罩 Filter with Auto Drain & Metal Bowl (245 SCFM)	\$66.87	

气源处理器价格表









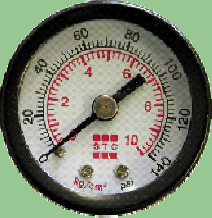

Filter-Regulator-Lubricator List Price



	型号 Part No.	说明 (包括支架和调压表) Description (* Includes Bracket & Gauge)	价格表 List Price
油雾器 	AL1000-M5	M5 油雾器Lubricator (3 SCFM)	\$11.88
	AL2000-01	1/8" NPT 油雾器Lubricator (28 SCFM)	\$12.23
	AL2000-01M	1/8" NPT 油雾器-金属防护罩Lubricator with Metal Bowl (28 SCFM)	\$16.63
	AL2000-02	1/4" NPT 油雾器Lubricator (28 SCFM)	\$12.23
	AL2000-02M	1/4" NPT 油雾器-金属防护罩Lubricator with Metal Bowl (28 SCFM)	\$16.63
油雾器 	AL3000-02	1/4" NPT 润滑器Lubricator (60 SCFM)	\$18.47
	AL3000-02M	1/4" NPT 油雾器-金属防护罩Lubricator with Metal Bowl (60 SCFM)	\$25.07
	AL3000-03	3/8" NPT 油雾器Lubricator (60 SCFM)	\$18.47
	AL3000-03M	3/8" NPT 油雾器-金属防护罩Lubricator with Metal Bowl (60 SCFM)	\$25.07
	AL4000-03	3/8" NPT 油雾器Lubricator (180 SCFM)	\$25.74
	AL4000-03M	3/8" NPT 油雾器-金属防护罩Lubricator with Metal Bowl (180 SCFM)	\$38.94
	AL4000-04	1/2" NPT 油雾器Lubricator (180 SCFM)	\$25.74
	AL4000-04M	1/2" NPT 油雾器-金属防护罩Lubricator with Metal Bowl (180 SCFM)	\$38.94
	AL4000-06	3/4" NPT 油雾器Lubricator (220 SCFM)	\$28.71
	AL4000-06M	3/4" NPT 油雾器-金属防护罩Lubricator with Metal Bowl (220 SCFM)	\$41.91
二联件连支架和调压表 Includes Bracket & Gauge 	AW1000-M5	M5 过滤-调压Filter- Regulator* (3 SCFM)	\$29.30*
	AW2000-01	1/8" NPT 过滤-调压Filter- Regulator* (19 SCFM)	\$29.36*
	AW2000-01D	1/8" NPT 过滤-调压-自动排水Filter- Regulator* with Auto Drain (19 SCFM)	\$44.76*
	AW2000-01M	1/8" NPT 过滤-调压-金属防护罩Filter- Regulator* with Metal Bowl (19 SCFM)	\$33.76*
	AW2000-01DM	1/8" NPT 过滤-调压-自动排水-金属防护罩Filter- Regulator* Auto Drain & Metal Bowl (19 SCFM)	\$49.16*
	AW2000-02	1/4" NPT 过滤-调压Filter- Regulator* (19 SCFM)	\$29.36*
	AW2000-02D	1/4" NPT 过滤-调压-自动排水Filter- Regulator* with Auto Drain (19 SCFM)	\$44.76*
	AW2000-02M	1/4" NPT 过滤-调压-金属防护罩Filter- Regulator* with Metal Bowl (19 SCFM)	\$33.76*
	AW2000-02DM	1/4" NPT 过滤-调压-自动排水-金属防护罩Filter- Regulator* Auto Drain & Metal Bowl (19 SCFM)	\$49.16*
	二联件连支架和调压表 Includes Bracket & Gauge 	AW3000-02	1/4" NPT 过滤-调压Filter- Regulator* (70 SCFM)
AW3000-02D		1/4" NPT 过滤-调压-自动排水Filter- Regulator* with Auto Drain (70 SCFM)	\$61.60*
AW3000-02M		1/4" NPT 过滤-调压-金属防护罩Filter- Regulator* with Metal Bowl (70 SCFM)	\$46.20*
AW3000-02DM		1/4" NPT 过滤-调压-自动排水-金属防护罩Filter- Regulator* Auto Drain & Metal Bowl (70 SCFM)	\$68.20*
AW3000-03		3/8" NPT 过滤-调压Filter- Regulator*(70 SCFM)	\$39.6*
AW3000-03D		3/8" NPT 过滤-调压-自动排水Filter- Regulator* with Auto Drain (70 SCFM)	\$61.60*
AW3000-03M		3/8" NPT 过滤-调压-金属防护罩Filter- Regulator* with Metal Bow(70 SCFM)	\$46.20*
AW3000-03DM		3/8" NPT 过滤-调压-自动排水-金属防护罩Filter- Regulator* Auto Drain & Metal Bowl (70 SCFM)	\$68.20*
AW4000-03		3/8" NPT 过滤-调压Filter- Regulator* (140 SCFM)	\$59.40*
AW4000-03D		3/8" NPT 过滤-调压-自动排水Filter- Regulator* with Auto Drain (140 SCFM)	\$86.81*
AW4000-03M		3/8" NPT 过滤-调压-金属防护罩Filter- Regulator* with Metal Bow(140 SCFM)	\$72.60*
AW4000-03DM		3/8" NPT 过滤-调压-自动排水-金属防护罩Filter- Regulator* Auto Drain & Metal Bowl (140 SCFM)	\$100.00*
AW4000-04		1/2" NPT 过滤-调压Filter- Regulator* (140 SCFM)	\$59.40*
AW4000-04D		1/2" NPT 过滤-调压-自动排水F10liter- Regulator* with Auto Drain (140 SCFM)	\$86.81*
AW4000-04M		1/2" NPT 过滤-调压-金属防护罩Filter- Regulator* with Metal Bow(140 SCFM)	\$72.60*
AW4000-04DM		1/2" NPT 过滤-调压-自动排水-金属防护罩Filter- Regulator* Auto Drain & Metal Bowl (140 SCFM)	\$100.00*
AW4000-06		3/4" NPT 过滤-调压Filter- Regulator* (160 SCFM)	\$69.30*
AW4000-06D		3/4" NPT 过滤-调压-自动排水Filter- Regulator* with Auto Drain (160 SCFM)	\$96.71*
AW4000-06M		3/4" NPT 过滤-调压-金属防护罩Filter- Regulator* with Metal Bow(160 SCFM)	\$82.50*
AW4000-06DM		3/4" NPT 过滤-调压-自动排水-金属防护罩Filter- Regulator* Auto Drain & Metal Bowl (160 SCFM)	\$109.91*
AW5000-10	1" NPT 过滤-调压Filter- Regulator* (195 SCFM)	\$82.52*	
AW5000-10D	1" NPT 过滤-调压-自动排水Filter- Regulator* with Auto Drain (195 SCFM)	\$109.93*	
AW5000-10M	1" NPT 过滤-调压-金属防护罩Filter- Regulator* with Metal Bow(195 SCFM)	\$95.72*	
AW5000-10DM	1" NPT 过滤-调压-自动排水-金属防护罩Filter- Regulator* Auto Drain & Metal Bowl (195 SCFM)	\$123.13*	

气源处理器架设硬件价格表

FRL Mounting Hardware List Price

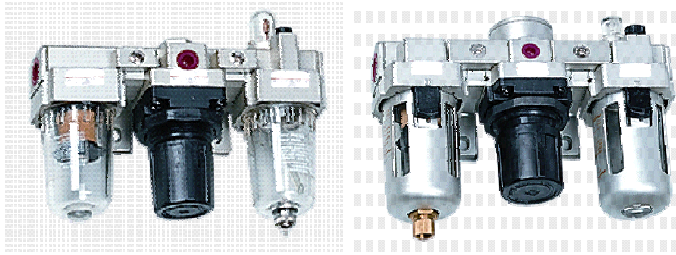
	部件型号 Part No.	说明Description	价格表 List Price
T型隔板 	Y20	Spacer for AC2000	\$3.84
	Y30	Spacer for AC3000	\$6.39
	Y40	Spacer for AC4000-04	\$7.67
	Y50	Spacer for AC4000-06	\$7.67
	Y60	Spacer for AC5000	\$7.99
T型隔板 	Y20L	L-Type Spacer Bracket for AC2000	\$3.84
	Y30L	L-Type Spacer Bracket for AC3000	\$6.39
	Y40L	L-Type Spacer Bracket for AC4000-04	\$7.67
	Y50L	L-Type Spacer Bracket for AC4000-06	\$7.67
	Y60L	L-Type Spacer Bracket for AC5000	\$7.99
T型隔板 	Y20T	T-Type Spacer Bracket for AC2010	\$4.48
	Y30T	T-Type Spacer Bracket for AC3010	\$7.03
	Y40T	T-Type Spacer Bracket for AC4010-04	\$8.31
	Y50T	T-Type Spacer Bracket for AC4010-06	\$8.95
	Y60T	T-Type Spacer Bracket for AC5010	\$10.23
NPT孔的 间隔板 	Y21-N01	T-Type Spacer with 1/8 NPT Port for AC2000	\$6.39
	Y21-N02	T-Type Spacer with 1/4 NPT Port for AC2000	\$6.39
	Y31-N01	T-Type Spacer with 1/8 NPT Port for AC3000	\$9.59
	Y31-N02	T-Type Spacer with 1/4 NPT Port for AC3000	\$9.59
	Y41-N02	T-Type Spacer with 1/4 NPT Port for AC4000	\$11.51
	Y41-N03	T-Type Spacer with 3/8 NPT Port for AC4000	\$11.51
	Y61-N03	T-Type Spacer with 3/8 NPT Port for AC5000	\$15.98
T型支架 	B110L	L-Bracket for AC1000	\$3.30
	B210L	L-Bracket for AC2000	\$3.85
	B310L	L-Bracket for AC3000	\$4.40
	B410L	L-Bracket for AC4000	\$4.95
	B510L	L-Bracket for AC4000-06	\$6.05
T型支架 	B110T	T-Bracket for AC1010	\$3.85
	B210T	T-Bracket for AC2010	\$4.40
	B310T	T-Bracket for AC3010	\$4.95
	B410T	T-Bracket for AC4010	\$5.50
	B510T	L-Bracket for AC4010-06	\$6.60
支架 	B120	Bracket for AR/AW1000	\$1.91
	B220	Bracket for AR/AW2000	\$1.91
	B320	Bracket for AR/AW3000	\$2.55
	B420	Bracket for AR/AW4000-5000	\$3.20
支架 	B240	Bracket for AF/AL2000	\$1.91
	B340	Bracket for AF/AL3000	\$2.55
	B440	Bracket for AF/AL4000-04	\$3.20
	B540	Bracket for AF/AL4000-06	\$3.84
	B640	Bracket for AF/AL5000	\$5.12
	调压表 	GE-1-160-00	1" Dia. 1/16" R 0-160 PSI back mount pressure gauge
GE-1 1/2-30-01		1 1/2" Dia. 1/8" NPT 0-30 PSI back mount pressure gauge	\$6.16
GE-1 1/2-60-01		1 1/2" Dia. 1/8" NPT 0-60 PSI back mount pressure gauge	\$6.16
GE-1 1/2-160-01		1 1/2" Dia. 1/8" NPT 0-160 PSI back mount pressure gauge	\$6.16
GP-1 1/2-160-01		1 1/2" Dia. 1/8" NPT 0-160 PSI panel mount pressure gauge	\$7.16
GE-2-30-02		2" Dia. 1/4" NPT 0-30 PSI back mount pressure gauge	\$6.60
GE-2-60-02		2" Dia. 1/4" NPT 0-60 PSI back mount pressure gauge	\$6.60
GE-2-160-02		2" Dia. 1/4" NPT 0-160 PSI back mount pressure gauge	\$6.60
GP-2-160-02		2" Dia. 1/4" NPT 0-160 PSI panel mount pressure gauge	\$7.60
GA-1 1/2-60-01		1.5" Dia. 1/8" NPT 0-60 PSI SS housing back mount glycerin filled	\$10.56
GA-1 1/2-160-01	1.5" Dia. 1/8" NPT 0-160 PSI SS housing back mount glycerin filled	\$10.56	
带锁型二位 三通释放式 节流阀 	VHS2000-01	1/8" NPT Relieving Shut-off /Lockout Valve for 2000-01系列 Series FRL	\$22.26
	VHS2000-02	1/4" NPT Relieving Shut-off /Lockout Valve for 2000-02 系列Series FRL	\$22.26
	VHS3000-02	1/4" NPT Relieving Shut-off /Lockout Valve for 3000-02 系列Series FRL	\$28.36
	VHS3000-03	3/8" NPT Relieving Shut-off /Lockout Valve for 3000-03 系列Series FRL	\$28.36
	VHS4000-03	3/8" NPT Relieving Shut-off /Lockout Valve for 4000-03 系列Series FRL	\$42.26
	VHS4000-04	1/2" NPT Relieving Shut-off /Lockout Valve for 4000-04 系列Series FRL	\$42.26
	VHS4000-06	1/2" NPT Relieving Shut-off /Lockout Valve for 4000-06 系列Series FRL	
VHS5000-10	1/2" NPT Relieving Shut-off /Lockout Valve for 5000 系列Series FRL		

气源处理器流程表

Filter-Regulator-Lubricator Flow Charts

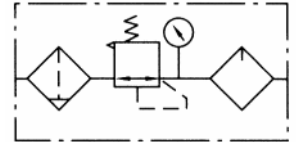


三联件

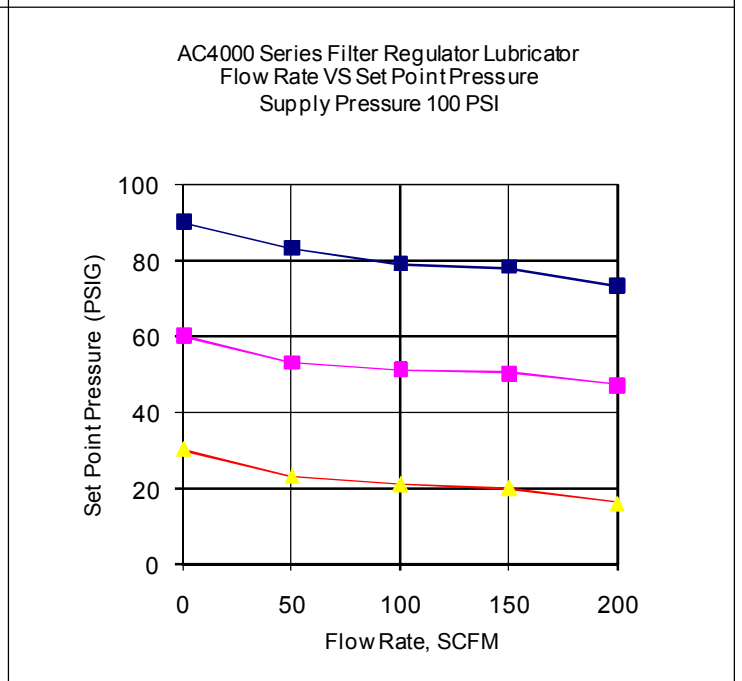
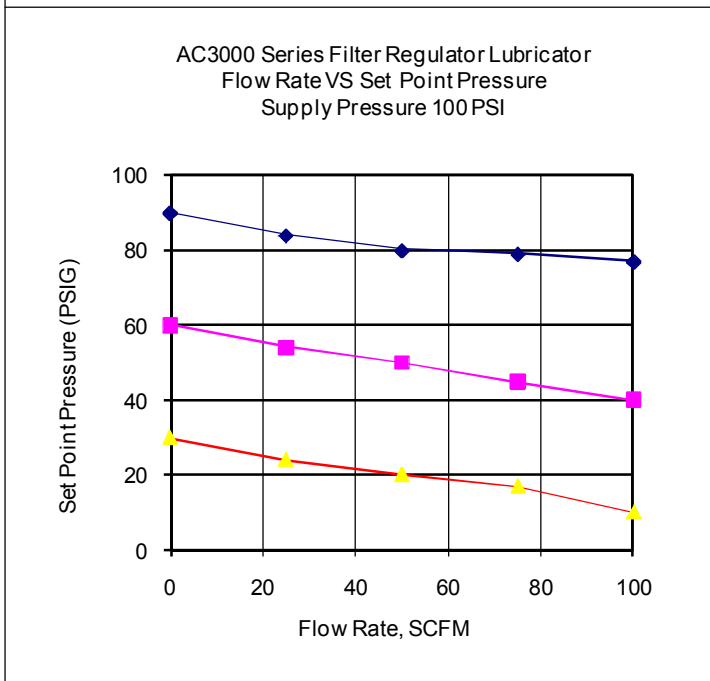
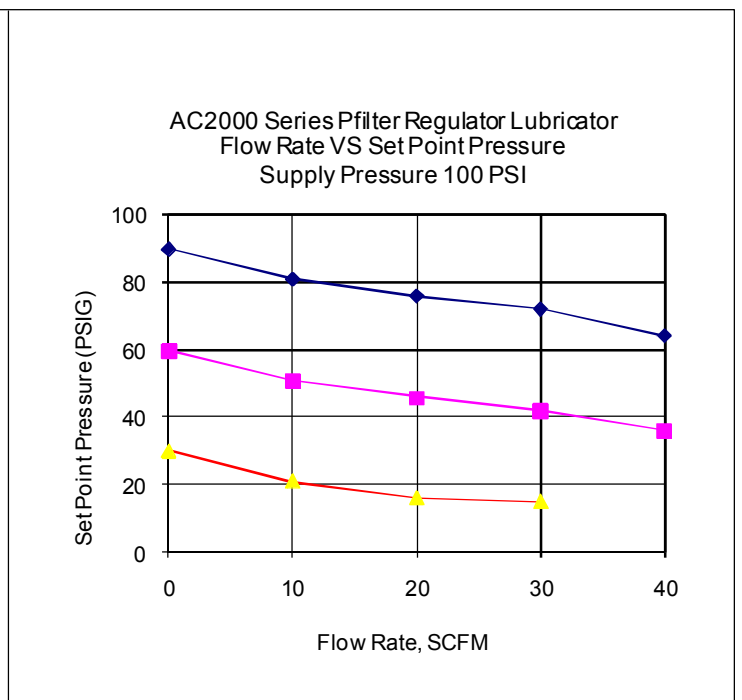
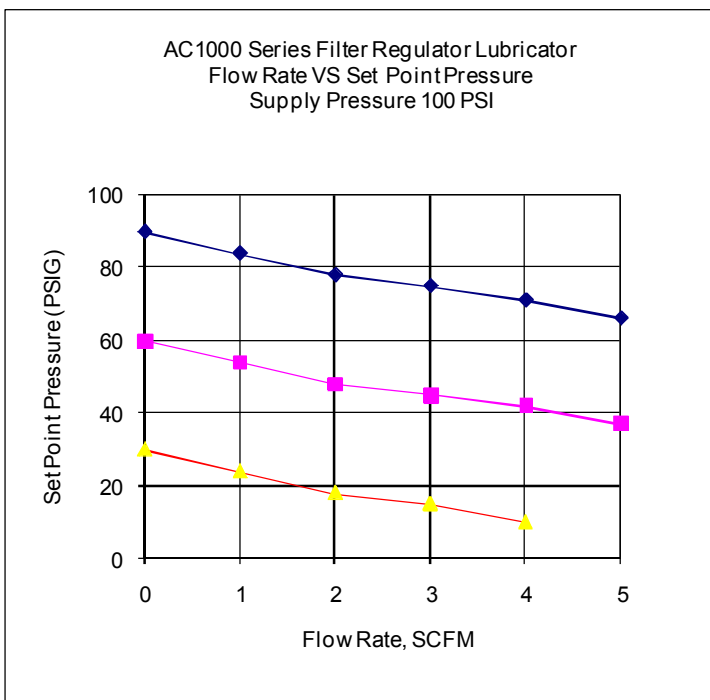


过滤调压油雾器选择 Filter Regulator Lubricator Selection:

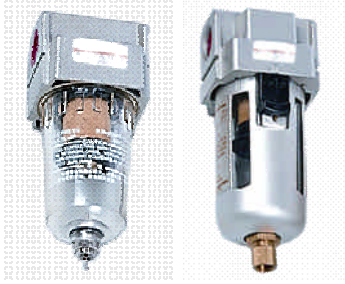
1. 流量需求 Determine flow rate requirements.
2. 确定需要决胜点压力和可允许的压力下降 Determine required set point pressure and allowable pressure drop.
3. 设置FRL图表由决胜压力点开始提供的曲线图 Locate the FRL graph with set point pressure that provides the flow rate with acceptable pressure drop..



AC1000 AC2000 AC3000 AC4000 气压流量对比图如下:

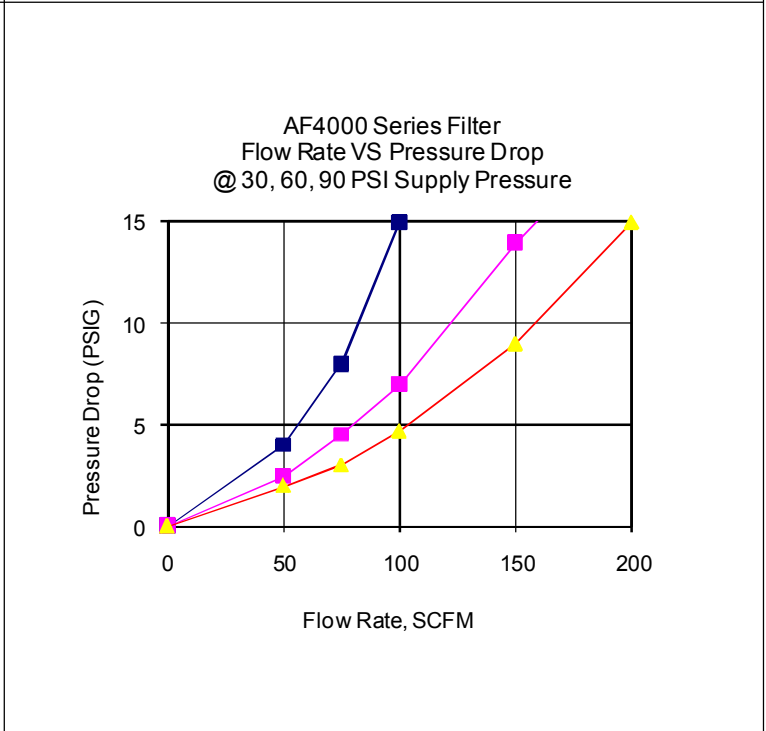
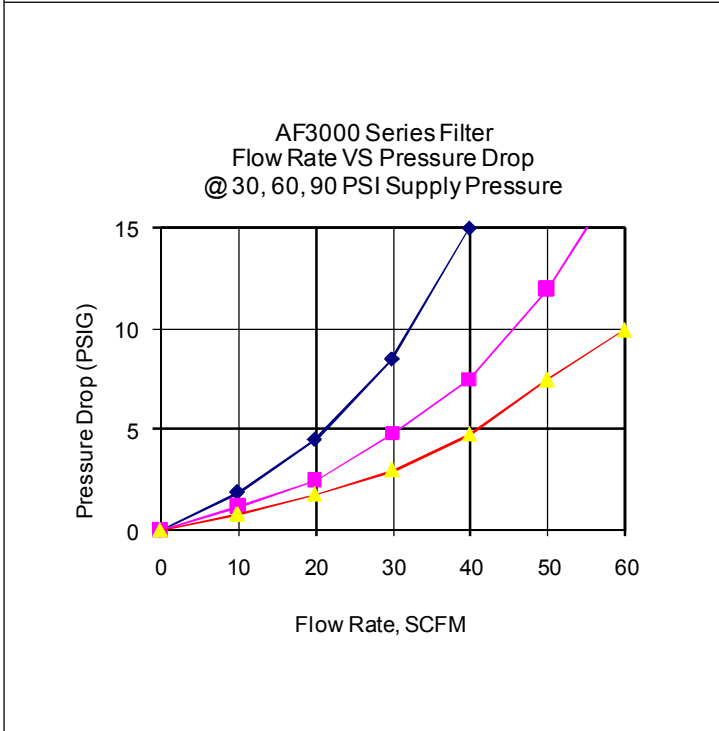
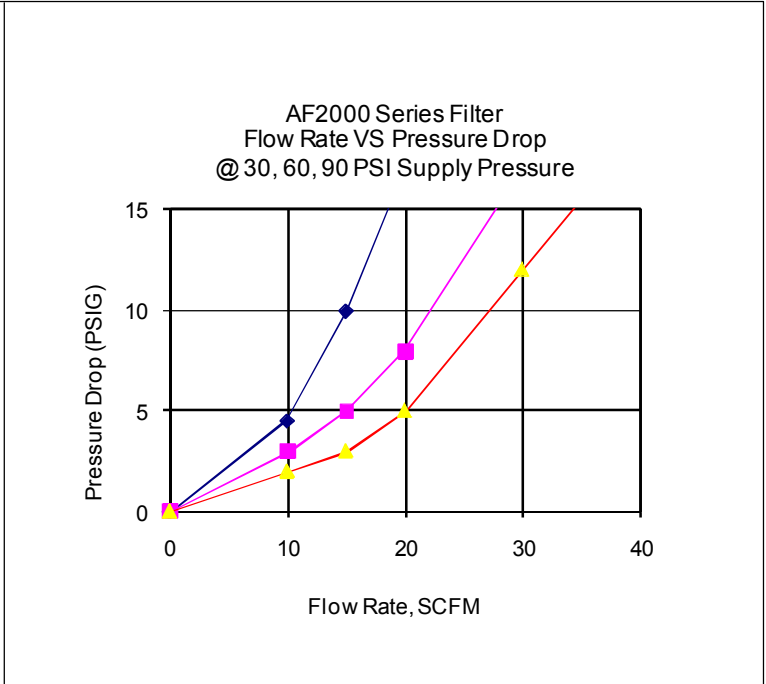
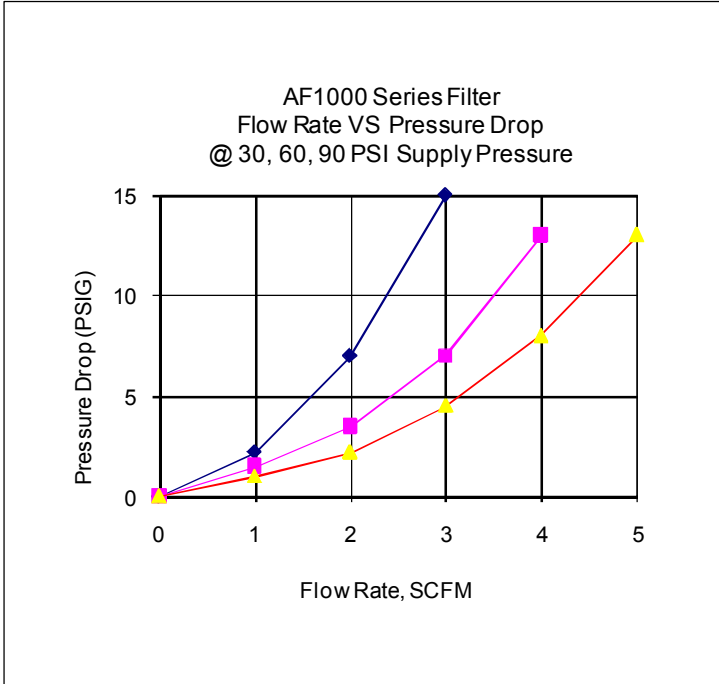
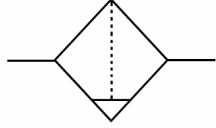


空气过滤器



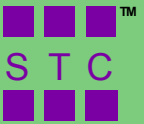
过滤器选择 Filter Selection

- 1 流量需求 Determine flow rate requirements.
- 2 确定需要决胜点压力和可允许的压力下降 Determine required set point pressure and allowable pressure drop.
- 3 流量的决胜点压力位于FRL可接受的压力曲线图 Locate the FRL graph with set point pressure that provides the flow rate with .



减压阀流程图

Regulator Flow Charts

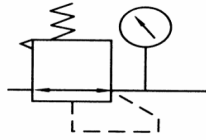


调压阀

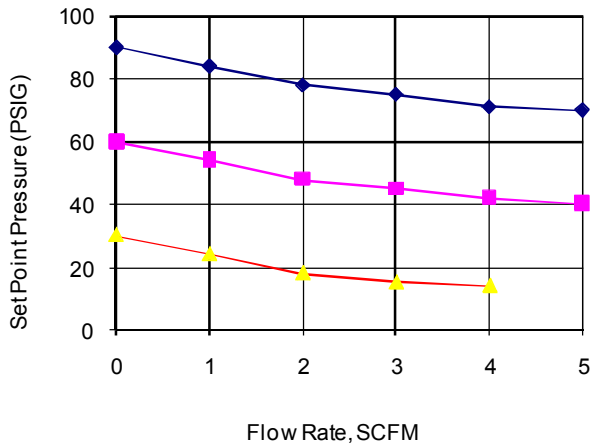


调压选择 : Regulator Selection

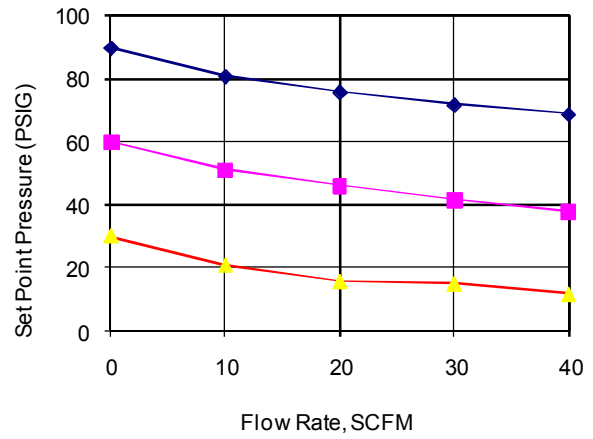
1. 流量需求 Determine flow rate requirements.
2. 确定需要决胜点压力和可允许的压力下降 Determine required set point pressure and allowable pressure drop.
3. 流量的决胜点压力位于FRL可接受的压力曲线图 Locate the FRL graph with set point pressure that provides the flow rate with acceptable pressure drop.



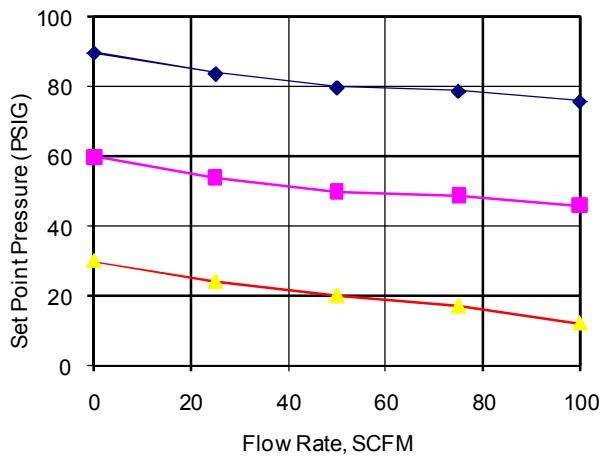
AR1000 Series Pressure Regulator
Flow Rate VS Set Point Pressure
Supply Pressure 100 PSI



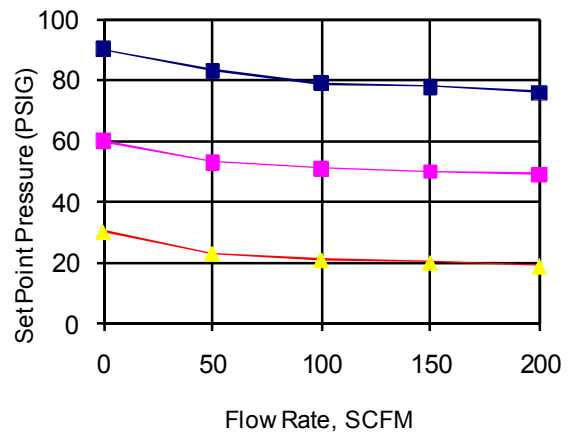
AR2000 Series Pressure Regulator
Flow Rate VS Set Point Pressure
Supply Pressure 100 PSI



AR3000 Series Pressure Regulator
Flow Rate VS Set Point Pressure
Supply Pressure 100 PSI



AR4000 Series Pressure Regulator
Flow Rate VS Set Point Pressure
Supply Pressure 100 PSI



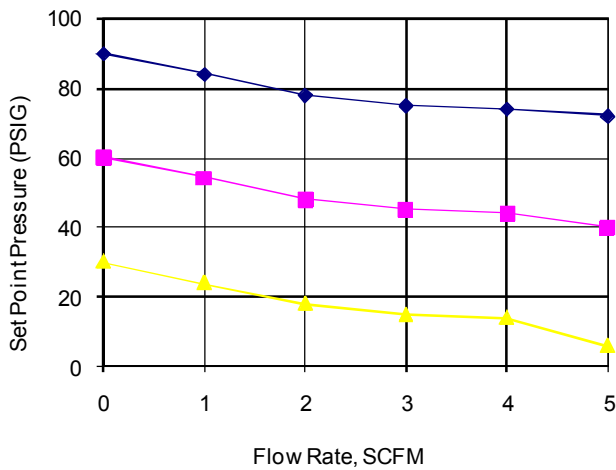
二联件



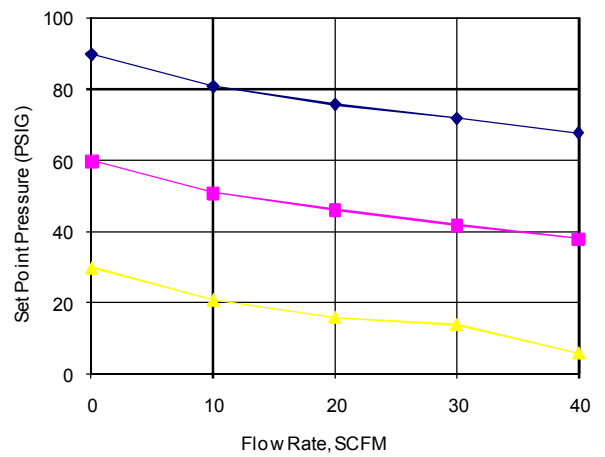
过滤器调整选择 Filter Regulator Selection:

1. 流量需求 Determine flow rate requirements.
2. 确定需要决胜点压力和可允许的压力下降 Determine required set point pressure and allowable pressure drop.
3. 流量的决胜点压力位于FRL可接受的压力曲线图 Locate the FRL graph with set point pressure that provides the flow rate with acceptable pressure drop.

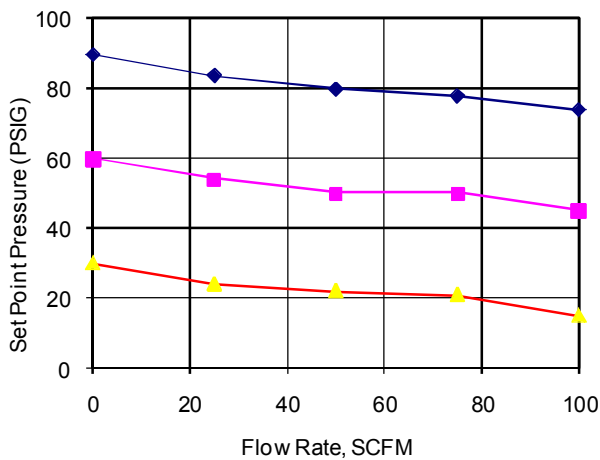
AW1000 Series Filter Regulator
Flow Rate VS Set Point Pressure
Supply Pressure 100 PSI



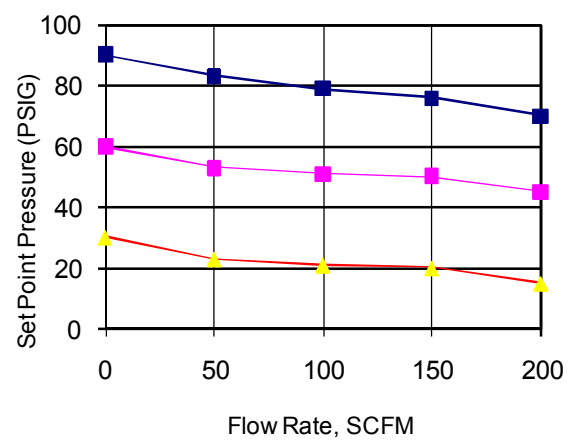
AW2000 Series Filter Regulator
Flow Rate VS Set Point Pressure
Supply Pressure 100 PSI



AW3000 Series Filter Regulator
Flow Rate VS Set Point Pressure
Supply Pressure 100 PSI



AW4000 Series Filter Regulator
Flow Rate VS Set Point Pressure
Supply Pressure 100 PSI



气源处理器流程图

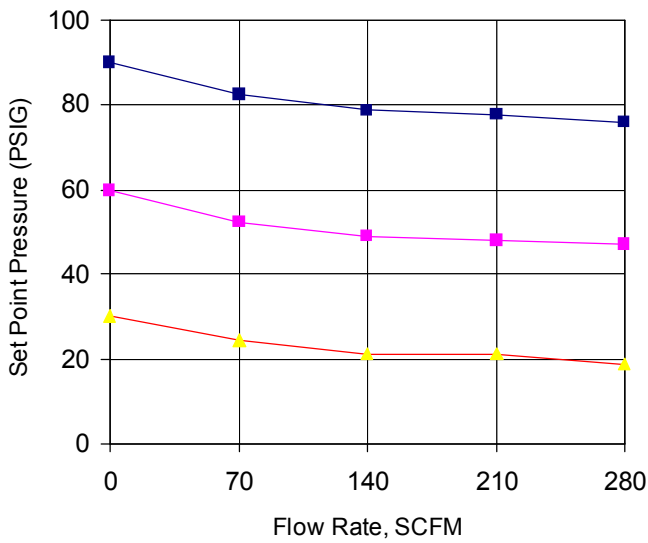
Filter Regulator Lubricator Flow Charts



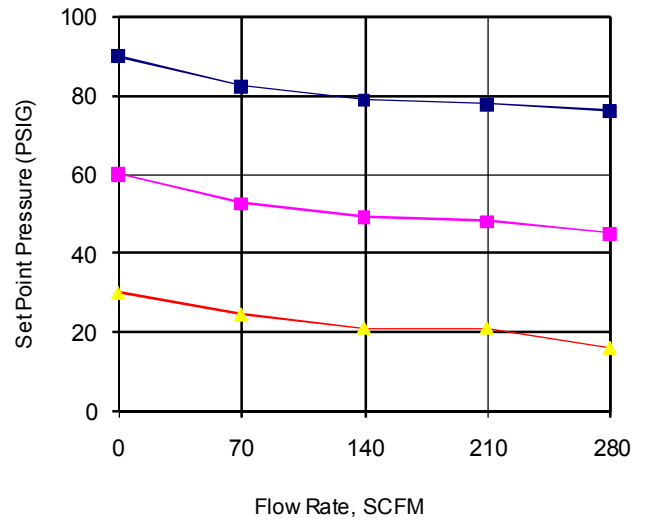
过滤调压润滑器选择 Filter Regulator Lubricator Selection:

1. 流量需求 Determine flow rate requirements.
2. 确定需要决胜点压力和可允许的压力下降 Determine required set point pressure and allowable pressure drop.
3. 流量的决胜点压力位于FRL可接受的压力曲线图 Locate the FRL graph with set point pressure that provides the flow rate with acceptable pressure drop.

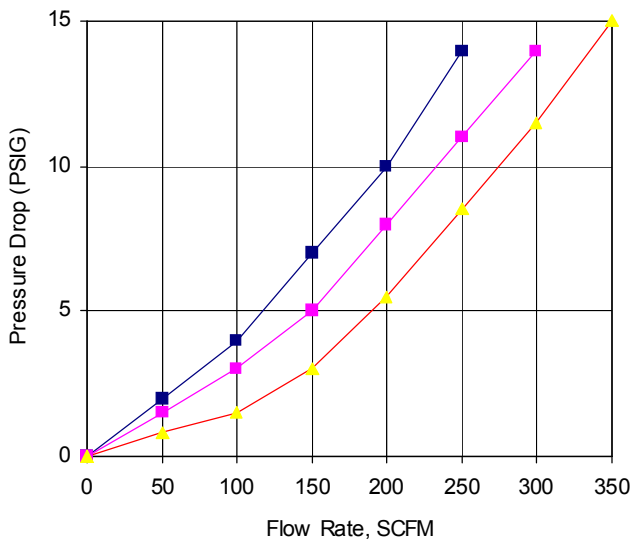
AC5000 Series Filter Regulator Lubricator
Flow Rate VS Set Point Pressure
Supply Pressure 100 PSI



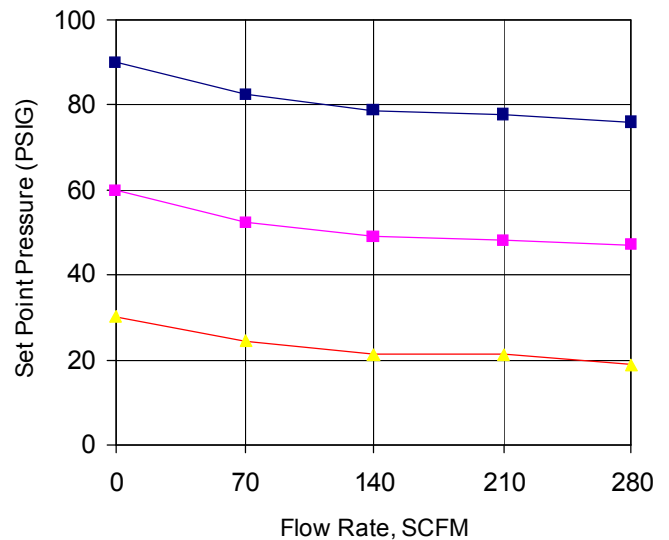
AW5000 Series Filter Regulator
Flow Rate VS Set Point Pressure
Supply Pressure 100 PSI



AF5000 Series Filter
Flow Rate VS Pressure Drop
@ 30, 60, 90 PSI Supply Pressure

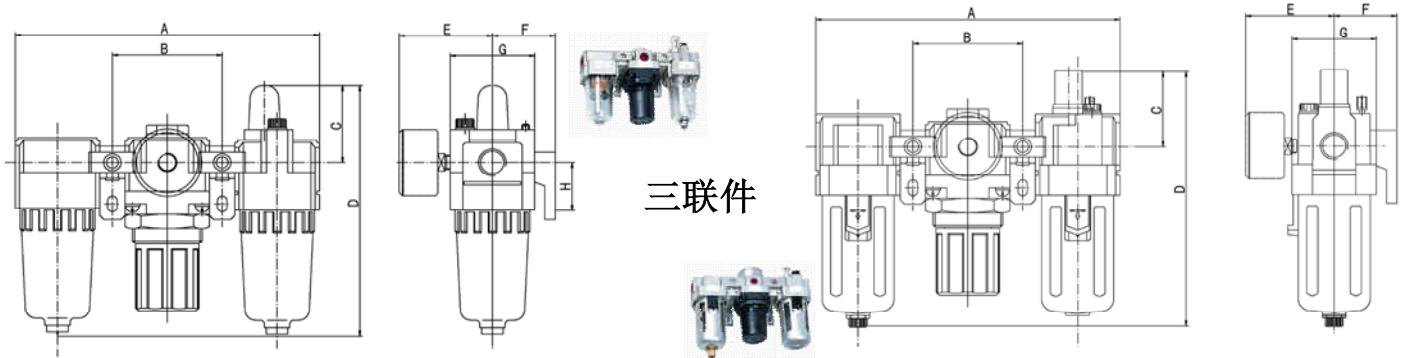


AR5000 Series Pressure Regulator
Flow Rate VS Set Point Pressure
Supply Pressure 100 PSI

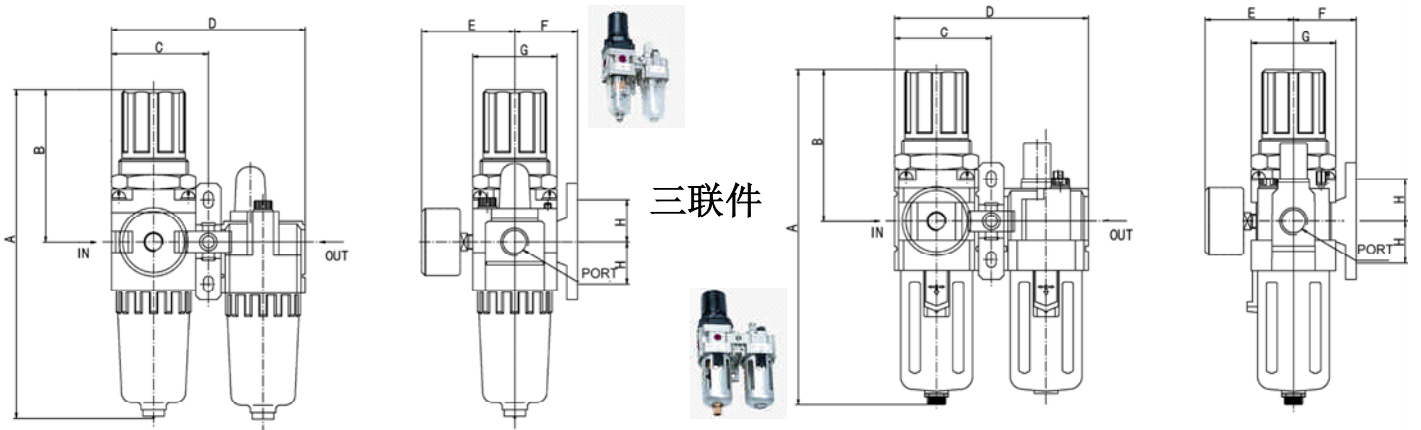


气源处理器尺寸

Filter Regulator Lubricator Dimensions



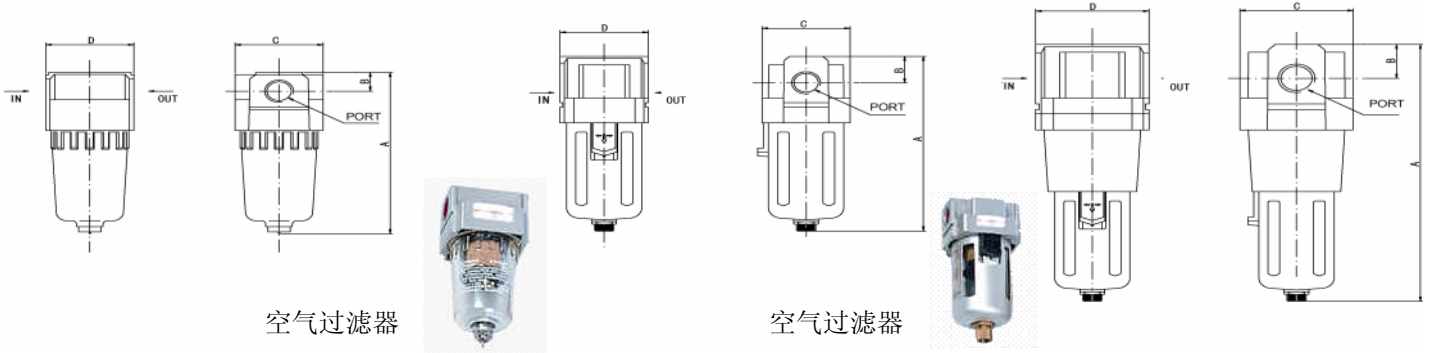
型号 Model	流量 Flow Rate (lpm/scfm)	接管口径 Port	调压表口径 Gauge Port	A (mm/in)	B (mm/in)	C (mm/in)	D (mm/in)	E (mm/in)	F (mm/in)	G (mm/in)	H (mm/in)	支架 Bracket	重量 Weight (kg/lb)	调压表 Gauge
AC1000-00	90	10-32 (M5)	1/16 Rc	91	33	25.5	84.5	26	25	25	20	Y10L	0.26	GE-1-160-00
	3			3.58	1.30	1.00	3.33	1.02	0.98	0.98	0.79		0.57	
AC2000-01	500	1/8 NPT	1/8 NPT	140	50	38	125	56.8	30	40	24	Y20L	0.74	GE-1 1/2-160-01
AC2000-02	18	1/4 NPT		5.51	1.97	1.50	4.92	2.24	1.18	1.57	0.94		1.63	
AC3000-02	2000	1/4 NPT	1/8 NPT	181	64	38	156.5	60.8	41	53	35	Y30L	1.18	GE-1 1/2-160-01
AC3000-03	70	3/8 NPT		7.13	2.52	1.50	6.16	2.39	1.61	2.09	1.38		2.60	
AC4000-03	4000	3/8 NPT	1/4 NPT	238	84	41	191.5	65.5	50	70	40	Y40L	2.14	GE-2-160-02
AC4000-04	140	1/2 NPT		9.37	3.31	1.61	7.54	2.58	1.97	2.76	1.57		4.71	
AC4000-06	4500	3/4 NPT	1/4 NPT	253	89	41	193	69.5	50	70	40	Y50L	2.47	GE-2-160-02
	160			9.96	3.50	1.61	7.60	2.74	1.97	2.76	1.57		5.43	
AC5000-06	5000	3/4 NPT	1/4 NPT	300	105	48	271.5	75.5	69.8	90	50	Y60L	3.82	GE-2-160-02
AC5000-10	180	1 NPT		11.81	4.13	1.89	10.69	2.97	2.75	3.54	1.97		8.40	



型号 Model	流量 Flow Rate (lpm/scfm)	接管口径 Port	调压表口径 Gauge Port	A (mm/in)	B (mm/in)	C (mm/in)	D (mm/in)	E (mm/in)	F (mm/in)	G (mm/in)	H (mm/in)	支架 Bracket	重量 Weight (kg/lb)	调压表 Gauge
AC1010-00	90	10-32 (M5)	1/16 Rc	109.5	50.5	29	58	26	25	25	20	Y10T	0.22	GE-1-160-00
	3			4.31	1.99	1.14	2.28	1.02	0.98	0.98	0.79		0.48	
AC2010-01	500	1/8 NPT	1/8 NPT	164.5	78	45	90	56.8	30	40	24	Y20T	0.66	GE-1 1/2-160-01
AC2010-02	18	1/4 NPT		6.48	3.07	1.77	3.54	2.24	1.18	1.57	0.94		1.45	
AC3010-02	1700	1/4 NPT	1/8 NPT	211	92.5	58.5	117	60.8	41	53	35	Y30T	0.98	GE-1 1/2-160-01
AC3010-03	60	3/8 NPT		8.31	3.64	2.30	4.61	2.39	1.61	2.09	1.38		2.16	
AC4010-03	3000	3/8 NPT	1/4 NPT	262	112	77	154	65.5	50	70	40	Y40T	1.93	GE-2-160-02
AC4010-04	105	1/2 NPT		10.31	4.41	3.03	6.06	2.58	1.97	2.76	1.57		4.25	
AC4010-06	3000	3/4 NPT	1/4 NPT	267	114	82	164	69.5	50	70	40	Y50T	1.99	GE-2-160-02
	105			10.51	4.49	3.23	6.46	2.74	1.97	2.76	1.57		4.38	
AC5010-06	4000	3/4 NPT	1/4 NPT	338	116	97.5	195	75.5	69.8	90	50	Y60T	3.2	GE-2-160-02
AC5010-10	140	1 NPT		13.31	4.57	3.84	7.68	2.97	2.75	3.54	1.97		7.04	

气源处理器尺寸

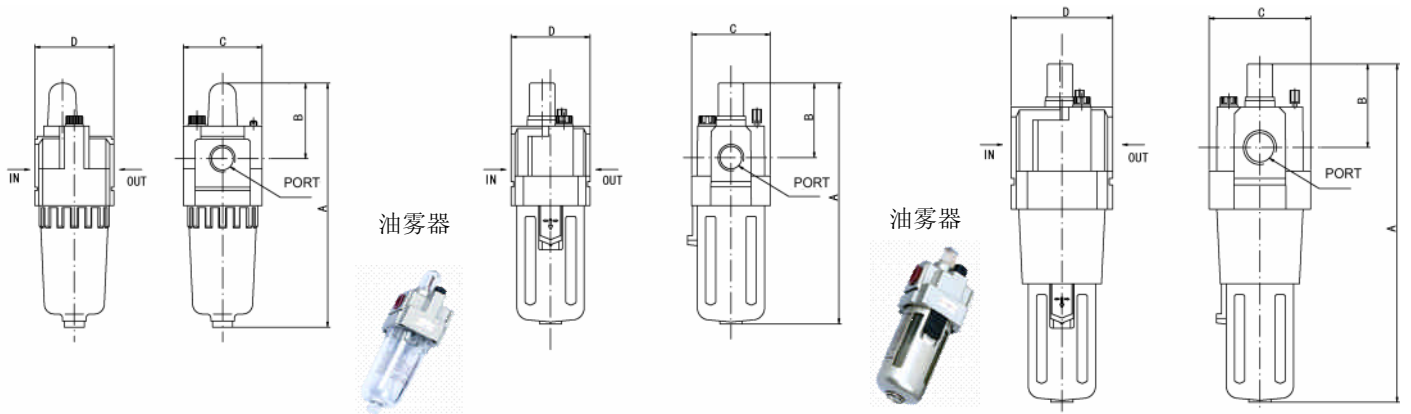
Filter Regulator Lubricator Dimensions



空气过滤器

空气过滤器

型号 Model	流量 Flow Rate (lpm/scfm)	接管口径 Port	A (mm/in)	B (mm/in)	C (mm/in)	D (mm/in)	支架/螺丝钉 Bracket/Screw	重量 Weight (kg/lb)
AF1000-00	110	10-32 (M5)	66	7	25		B140	0.07
	4		2.60	0.28	0.98	0.00		0.15
AF2000-01	750	1/8 NPT	97.5	11	40	40	B240/M4x8	0.19
AF2000-02	26	1/4 NPT	3.84	0.43	1.57	1.57		0.42
AF3000-02	2000	1/4 NPT	132.5	14	53	53	B340/M4x8	0.29
AF3000-03	70	3/8 NPT	5.22	0.55	2.09	2.09		0.64
AF4000-03	4000	3/8 NPT	168.5	18	70	70	B440/M5x10	0.55
AF4000-04	140	1/2 NPT	6.63	0.71	2.76	2.76		1.21
AF4000-06	6000	3/4 NPT	172.5	20	70	70	B540/M5x10	0.58
	210		6.79	0.79	2.76	2.76		1.28
AF5000-06	7000	3/4 NPT	247.5	24	90	90	B640/M6x10	1.08
AF5000-10	245	1 NPT	9.74	0.94	3.54	3.54		2.38



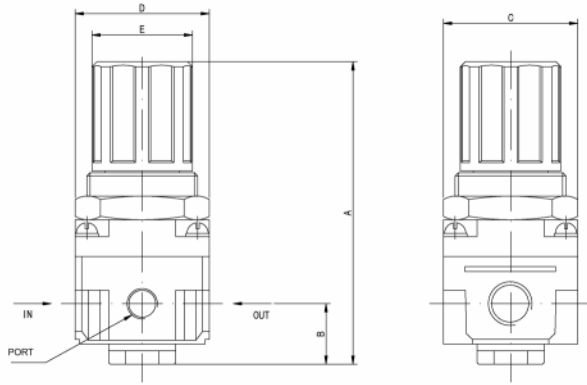
油雾器

油雾器

型号 Model	流量 Flow Rate (lpm/scfm)	接管口径 Port	A (mm/in)	B (mm/in)	C (mm/in)	D (mm/in)	支架/螺丝钉 Bracket/Screw	重量 Weight (kg/lb)
AL1000-00	95	10-32 (M5)	81.5	25.5	25		B140	0.07
	3		3.21	1.00	0.98			0.15
AL2000-01	800	1/8 NPT	122	38	40	40	B240/M4x8	0.22
AL2000-02	28	1/4 NPT	4.80	1.50	1.57	1.57		0.48
AL3000-02	1700	1/4 NPT	142	38	53	53	B340/M4x8	0.3
AL3000-03	60	3/8 NPT	5.59	1.50	2.09	2.09		0.66
AL4000-03	5000	3/8 NPT	177	41	70	70	B440/M5x10	0.56
AL4000-04	180	1/2 NPT	6.97	1.61	2.76	2.76		1.23
AL4000-06	6300	3/4 NPT	177	39	70	70	B540/M5x10	0.58
	220		6.97	1.54	2.76	2.76		1.28
AL5000-06	7000	3/4 NPT	254	45	90	90	B640/M6x10	1.08
AL5000-10	245	1 NPT	10.00	1.77	3.54	3.54		2.38

气源处理器尺寸

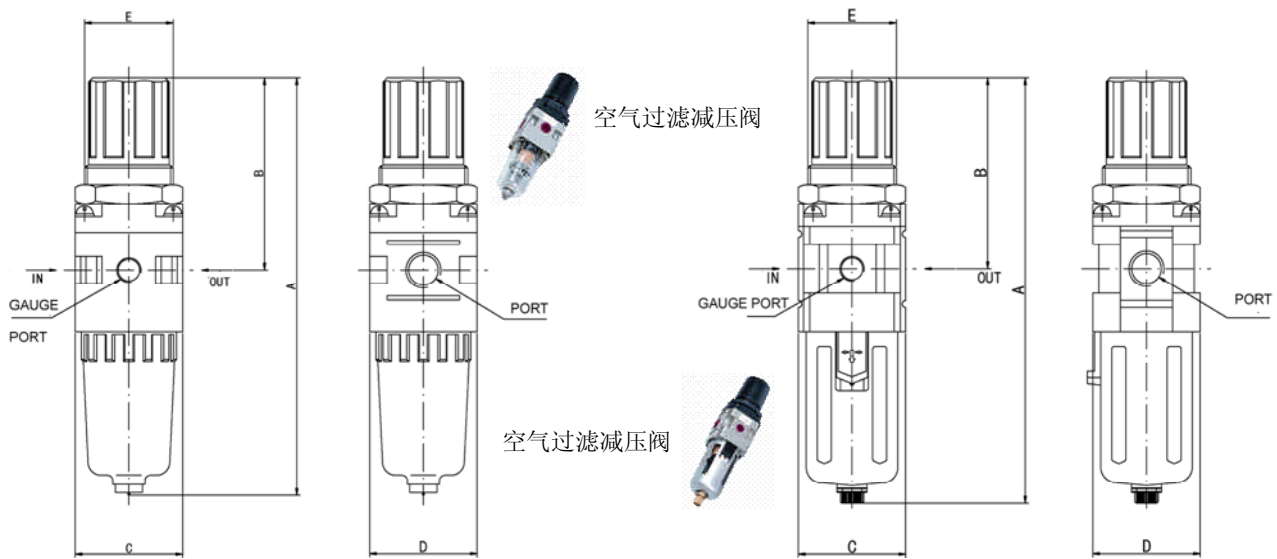
Filter Regulator Lubricator Dimensions



调压阀

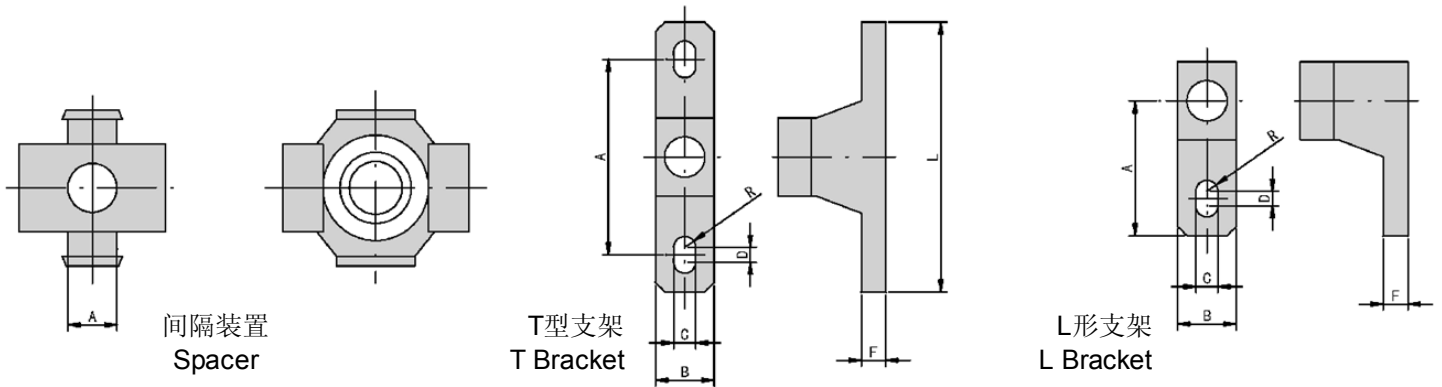


型号 Model	流量 Flow Rate (lpm/scfm)	接管口径 Port	标准尺寸 Gauge Port	A (mm/in)	B (mm/in)	C (mm/in)	D (mm/in)	E (mm/in)	嵌板洞大小 Panel Cut Hole (mm/in)	支架 Bracket	重量 Weight (kg/lb)	调压表 Gauge
AR1000-00	100	10-32 (M5)	1/16 Rc	61.5	11	25	25	20	20.5	B120	0.08	GE-1-160-00
	4			2.42	0.43	0.98	0.98	0.79	0.81		0.18	
AR2000-01	550	1/8 NPT	1/8 NPT	95	17	40	40	34	33.5	B220	0.27	GE-1 1/2-160-01
AR2000-02	19	1/4 NPT		3.74	0.67	1.57	1.57	1.34	1.32		0.59	
AR2500-02	2000	1/4 NPT		102.5	25	48	53	34	33.5			
AR2500-03	70	3/8 NPT	1/8 NPT	4.04	0.98	18.9	2.09	1.34	1.32	B320	0.41	GE-1 1/2-160-01
AR3000-02	2500	1/4 NPT		127.5	35	53	53	40	42.5		0.90	
AR3000-03	88	3/8 NPT	1/4 NPT	5.02	1.38	2.09	2.09	1.57	1.67	B420	0.84	GE-2-160-02
AR4000-03	6000	3/8 NPT		149.5	37.5	70	70	54	52.5		1.85	
AR4000-04	210	1/2 NPT	1/4 NPT	5.89	1.48	2.76	2.76	2.13	2.07	B420	0.84	GE-2-160-02
AR4000-06	6000	3/4 NPT		154	40.5	70	75	54	52.5		1.85	
AR4000-06	210	3/4 NPT	1/4 NPT	6.06	1.59	2.76	2.95	2.13	2.07	B420	1.19	GE-2-160-02
AR5000-06	8000	3/4 NPT		168	48	90	90	54	52.5		2.62	
AR5000-10	280	1 NPT	1/4 NPT	6.61	1.89	3.54	3.54	2.13	2.07	B420		

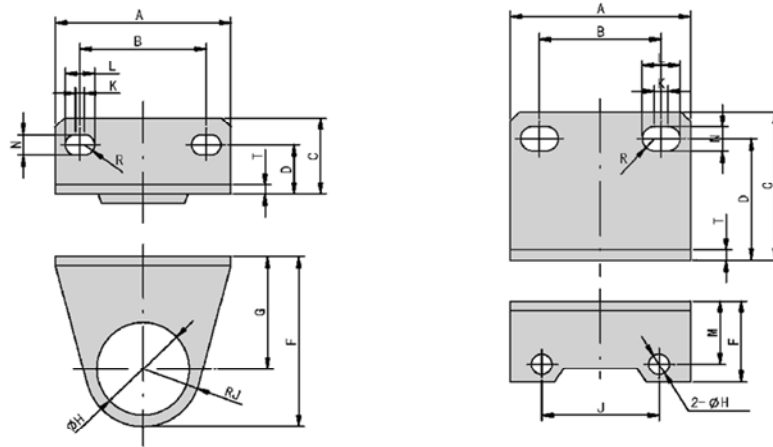


型号Model	流量 Flow Rate (lpm/scfm)	接管口径 Port	标准尺寸 Gauge Port	A (mm/in)	B (mm/in)	C (mm/in)	D (mm/in)	E (mm/in)	嵌板洞大小 Panel Cut Hole (mm/in)	支架 Bracket	重量 Weight (kg/lb)	调压表 Gauge
AW1000-00	90	10-32 (M5)	1/16 Rc	109.5	50.5	25	28	20	20.5	B120	0.09	GE-1-160-00
	3			4.31	1.99	0.98	1.10	1.10	0.81		0.20	
AW2000-01 AW2000-02	550	1/8 NPT	1/8 NPT	164.5	78	40	40	34	33.5	B220	0.36	GE-1 1/2-160-01
	19	1/4 NPT		6.48	3.07	1.57	1.57	1.34	1.32		0.79	
AW3000-02 AW3000-03	2000	1/4 NPT	1/8 NPT	211	92.5	53	53	40	33.5	B320	0.56	GE-1 1/2-160-01
	70	3/8 NPT		8.31	3.64	2.09	2.09	1.57	1.32		1.23	
AW4000-03 AW4000-04	4000	3/8 NPT	1/4 NPT	262	112	70	70	54	42.5	B420	1.15	GE-2-160-02
	140	1/2 NPT		10.31	4.41	2.76	2.76	2.13	1.67		2.53	
AW4000-06	4500	3/4 NPT	1/4 NPT	267	114	70	75	54	42.5	B520	1.21	GE-2-160-02
	160			10.51	4.49	2.76	2.95	2.13	1.67		2.66	
AW5000-06 AW5000-10	5500	3/4 NPT	1/4 NPT	338	116	90	90	54	42.5	B620	1.7	GE-2-160-02
	195	1 NPT		13.31	4.57	3.54	3.54	2.13	1.67		3.74	

气源处理器尺寸 Filter Regulator Lubricator Dimensions



L形支架 L Bracket	L形间隔支架 L Spacer Bracket	For	L形支架 L Bracket	L形间隔支架 L Spacer Bracket	For	A	B	C	D	E	F	G	H	R	L
B110L	Y10L	AC1000	B110T	Y10T	AC1010	20	12	4.5	3	2.5	5	8	40	2.25	27
B210L	Y20L	AC2000	B210T	Y20T	AC2010	24	15	5.5	3	30	5	10	48	2.75	33
B310L	Y30L	AC3000	B310T	Y30T	AC3010	35	16	7	4	41	7	11	70	3.5	45
B410L	Y40L	AC4000	B410T	Y40T	AC4010	40	22	9	4	50	7	14	80	4.5	50
B510L	Y50L	AC4000-06	B510T	Y50T	AC4010-06	40	22	9	4	50	7	14	80	4.5	50
B610L	Y60L	AC5000	B610T	Y60T	AC5010	50	23	12	4	69.8	10.5	15	100	6	63

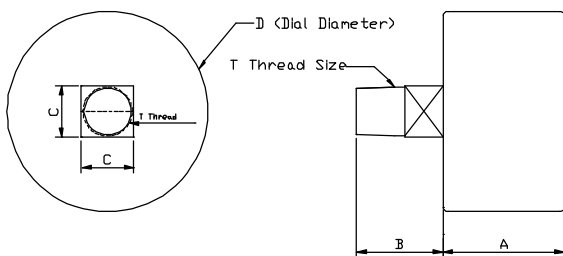


B#20 -Bracket for AR & AW

B#40 Bracket for AF/AL

in (MM)	A	B	C	D	F	G	H	J	K	L	M	N	R	t	装备螺丝钉 Mounting Screw	For
B120	40	28	17	11	37.8	25	20.5	12.3	2	6.5		4.5	2.25	2		AR/AW1000
B220	55	34	35	19	50	30	33.5	20	10	5.4		5.4	2.7	2.3		AR/AW2000-2500
B320	53	40	21.5	14	64	39	42.5	25	1.5	6.5		6.5	3.25	2.3		AR/AW3000
B420	70	54	27	18	79.2	49.2	52.5	30	2	8.5		8.5	4.25	2.3		AR/AW4000-5000

B240	40	27	33	27	18		4.5	26	3	8.4	14	5.4	2.7	2.3	M4X8	AF/AL2000
B340	53	40	39	32	22.5		4.5	35	1.5	8	19	6.5	3.25	2.3	M4X8	AF/AL3000
B440	70	54	47	38	31.5		5.5	47	2	10.5	20	8.5	4.25	2.3	M5X10	AF/AL4000-04
B540	70	54	47	38	31.5		5.5	47	2	10.5	20	8.5	4.25	2.3	M5X10	AF/AL4000-06
B640	90	66	64	52	43		6.5	60	2	13	29	11	5.5	3.2	M6X10	AF/AL5000



压力表型号 Pressure Gauge Part No.	For	(in/MM)				
		T形接口尺寸 T Port Size	A	B	C	D
GE-1-160-00	AR1000	R1/16 (PT)	0.6/15.3	0.4/10	0.47/12	1.0/25.4
GE-1 1/2-160-01	AR2000-3000	1/8 NPT	0.93/23.8	0.67/17.0	0.43/11	1.6/42
GE-2-160-02	AR4000-5000	1/4 NPT	0.97/24.8	0.77/19.7	0.54/14	2.1/52.4

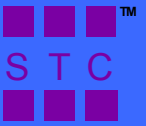
这些FRL组合件有连接器和支架的设计。易装也能拆除,方便安装和维修。

These FRL components are of modular design with joiner clamps. The joiner clamps allow easy connection and disconnection of FRL components for simple installation and maintenance.

SMC - NAC 系列的FRL 能互相交替使用
Interchangeable with SMC - NAC SERIES FRL

 <p>三联件</p>	调压-过滤-油雾 Regulator-Filter-Lubricator	AC1000-00	AC2000-XX	AC3000-XX	AC4000-XX	AC4000-06	AC5000-XX	
	流量图 Flow Rate* SCFM (LPM)	3 (90)	18 (500)	70 (2000)	140 (4000)	160 (4500)	180 (5000)	
	调压-过滤-油雾组合 Stacking Regulator-Filter-Lubricator	AC1010-00	AC2010-XX	AC3010-XX	AC4010-XX	AC4010-06	AC5010-XX	
 <p>三联件</p>	流量图 Flow Rate* SCFM (LPM)	3 (90)	18 (500)	60 (1700)	105 (3000)	105 (3000)	140 (4000)	
	过滤-调压组合 Stacking Regulator-Filter	AW1000-00	AW2000-XX	AW3000-XX	AW4000-XX	AW4000-06	AW5000-XX	
	流量图 Flow Rate* SCFM (LPM)	3 (90)	19 (550)	70 (2000)	140 (4000)	160 (4500)	195 (5500)	
	调压阀 Regulators	AR1000-00	AR2000-XX	AR3000-XX	AR4000-XX	AR4000-06	AR5000-XX	
	流量图 Flow Rate* SCFM (LPM)	4 (100)	19 (550)	88 (2500)	210 (6000)	210 (6000)	280 (8000)	
	空气过滤器 Filters	AF1000-00	AF2000-XX	AF3000-XX	AF4000-XX	AF4000-06	AF5000-XX	
 <p>二联件</p>	流量图 Flow Rate* SCFM (LPM)	4 (110)	26 (750)	70 (2000)	140 (4000)	210 (6000)	245 (7000)	
	油雾器 Lubricators	AL1000-00	AL2000-XX	AL3000-XX	AL4000-XX	AL4000-06	AL5000-XX	
	流量图 Flow Rate* SCFM (LPM)	3 (90)	28 (800)	60 (1700)	180 (5000)	220 (6300)	245 (7000)	
	接管尺寸 Port Size	10-32 (M5)	1/8 or 1/4 NPT	1/4 or 3/8 NPT	3/8 or 1/2 NPT	3/4 NPT	3/4 or 1 NPT	
	接管尺寸 (标准调压表) Port Size (Pressure Gauge)	1/16 Rc (PT)	1/8 NPT	1/8 NPT	1/4 NPT	1/4 NPT	1/4 NPT	
	调压范围 Regulating Range	7-100 PSI	7-125 PSI (0.5-8.5 kgf/cm ²)					
	最大操作压力 Max. Operating Pressure	150 PSI (9.9 kgf/cm ²)						
	操作温度 Operating Temperature	40-140°F (5-60°C)						
	空气过滤器 Filtration	5微米过滤器 (标准) 5 micron filter (standard); 25微米 (铜制过滤器) 25 Micron (Sintered Brass Filter)						
	外罩材料 Bowl Material	聚碳酸酯 (标准) Polycarbonate (standard) or 铝金属 Aluminum Metal (Option)						
防护外罩 Bowl Guard	N/A		金属防护 Steel Bowl Guard					
主体材质 Body Material	带钢膜的铝 Die-Casting Aluminum							
调压器范围 Construction/Regulator	Relieving Type							
油封材质 Seals	NBR							
过滤器排放管 Filter Drain	半自动差压排水 Semi-Auto Differential Drain			半自动差压排水或自动排水 Semi-Auto Differential Drain (Standard) or Automatic Drain				
*Measured with Supply Pressure @100 PSI and Set Point Pressure @ 75 PSI								

电磁阀和气控阀 Solenoid & Air Pilot Valves



	<p>优良的品质 Fine Quality</p> <p>精密的制作 Precision Engineered</p> <p>先进的设计 Advanced Design</p> <p>称心的价格 Excellent Prices</p>			



目录

Contents

STC电磁阀和阀门底座数字系统 Solenoid Valve and Valve Manifold Numbering System.....	C2
STC 电磁阀价格表 Solenoid Valve List Price.....	C3
线圈价格表 Coil List Price.....	C3
气控阀价格表 Air Pilot Valve List Price.....	C4
铝合金底座 Integrated Aluminum Base Mounted Manifolds.....	C4
电磁阀和气控阀规格 Solenoid Valve and Air Pilot Valve Specifications.....	C4
电磁阀\气控阀和底座尺寸 Solenoid and Air Pilot Valves, & Manifold Dimensions.....	C5-8

STC电磁阀数字系统 Solenoid Valve Numbering System

订购码 Ordering Part No. = (e.g. 4V110-06-1-D)

4V 1 10 06 1 D

型号 Model	阀门大小 Valve Size	线圈/位数 Solenoid/Position	接口尺寸 Port Size (NPT)	安装 Mounting	电压 Voltage	接线形式 Elec. Terminal
Spool Valves: 3A = 3 way air pilot valve 3V = 3 way solenoid valve 4A = 4 way air pilot valve 4V = 4 way solenoid valve	1 = 0.67 Cv 2 = 0.89 Cv 3 = 1.68 Cv 4 = 2.78 Cv	10 = 单头双位置 1 solenoid 2 position 20 = 双头双位置 2 solenoid 2 position 30C = 双头三位位置封闭型 2 solenoid 3 position (Closed Center) 30E = 双头三位位置排气型 2 solenoid 3 position (Exhausted Center) 30P = 双头三位位置压力型 2 solenoid 3 position (Pressure Center)	05 = 10-32 06 = 1/8 08 = 1/4 10 = 3/8 15 = 1/2	空白=标准端子式 Blank = Standard B = Namur Mounting/ Actuator Mounting	1 = 12 VDC 2 = 24 VDC 2A = 24 VAC 3 = 110 VAC 4 = 220VAC (50/60Hz)	D = DIN G = Grommet E=防爆炸 E = Explosion Proof
直动式阀门 Direct Acting Valves						
2P025 = 2位直动式 2 way direct acting 2V025 = 2位直动式 2 way direct acting 2P035 = 3位直动式 3 way direct acting 2V035 = 3位直动式 3 way direct acting			06 = 1/8 08 = 1/4		1 = 12 VDC 2 = 24 VDC 2A = 24 VAC 3 = 110 VAC 4 = 220VAC (50/60Hz)	D = DIN G = Grommet E=防爆炸 E = Explosion Proof

STC 阀门底座数字系统 STC Valve Manifold Numbering System *

订购码 Ordering Part No. = (e.g. 4V100M-2)

4V100M 2 or B

型号 Model	接口管径 No. of Stations	密封板 Blank Plate
3V100M = Manifold for 3V100 series valves	2 4 6 8 16	B = 封板 B = Blank plate G = 支架和安装硬件 G = Gasket and mounting hardware
3V200M = Manifold for 3V200 series valves		
3V300M = Manifold for 3V300 series valves		
3V400M = Manifold for 3V400 series valves		
4V100M = Manifold for 4V100 series valves		
4V200M = Manifold for 4V200 series valves		
4V300M = Manifold for 4V300 series valves		
4V400M = Manifold for 4V400 series valves		
* 包括支架和安装硬件 gasket and mounting hardware included		

电磁阀价格表

Solenoid Valve List Price








订购请说明产品型号, 电压, 接线选择 To Order, Please Specify: 1) Model No., 2) Voltage, & 3) Electrical Entry Options

型号 Part No.	价格 Price	电压选择/端口选 Voltage & Electrical Connection Options B. Electrical Connection	接管尺寸 Port Size (NPT)	接口/位置/线圈 # Way/Port/Position/ Solenoid	Cv	耗电量 Power			
二位二通电磁阀 	2V025-1/8	\$18.81	电压选择 Voltage Options: 1 = 12VDC 2 = 24VDC 2A = 24VAC 3 = 110VAC 4 = 220VAC (50/60Hz) B. 端口选项 Terminal Options: D = DIN (有LED显示灯/ 终端传电口) (with LED indica- tor & Conduit Terminal) G = Grommet (12寸引领电线) (12" Lead Wire) E = 防爆 Explosion Proof	1/8	2/2/2/1	0.23	3W to 6.5 W		
	2V025-1/4	\$18.81		1/4	直动式 Direct Acting				
	2V035-1/8	\$18.81		1/8	3/2/2/1			0.05	
	2V035-1/4	\$18.81		1/4	直动式 Direct Acting				
(塑钢型) 二位二通电磁阀 	2P025-1/8	\$18.43		1/8	2/2/2/1				0.23
	2P025-1/4	\$18.43		1/4	直动式 Direct Acting				
	2P035-1/8	\$18.43		1/8	3/2/2/1			0.05	
	2P035-1/4	\$18.43		1/4	直动式 Direct Acting				
二(三)位二通 电磁阀 	2V1-1/8	\$18.81		1/8	2/2/2/1	0.23			
	3V1-1/8	\$18.81		1/8	3/2/2/1		0.05		
二位三通电磁阀 	3V110-1/8	\$24.26		1/8	3/3/2/1	0.67		2.5 W	
	3V210-1/4	\$24.26		1/4, 1/8 (Exh)		0.89			
	3V310-3/8	\$32.67		3/8, 1/4 (Exh)		1.68			
	3V410-1/2	\$56.93		1/2		2.79			
二位三通电磁阀 	3V120-1/8	\$37.16		1/8	3/3/2/2	0.67	3W to 4.8 W		
	3V220-1/4	\$37.16		1/4, 1/8 (Exh)		0.89			
	3V320-3/8	\$45.54	3/8, 1/4 (Exh)	1.68					
	3V420-1/2	\$79.70	1/2	2.79					
二(三)位五通 电磁阀 	4V110-1/8	\$25.25	1/8	4/5/2/1	0.67	2.5 W			
	4V210-1/4	\$24.26	1/4, 1/8 (Exh)		0.89				
	4V310-3/8	\$32.67	3/8, 1/4 (Exh)		1.68				
	4V410-1/2	\$56.93	1/2		2.79				
二(三)位五通 电磁阀 	3V310B-1/4	\$37.62	1/4	3/3/2/1	1.68	3W to 4.8 W			
	4V310B-1/4	\$37.62	1/4		1.68				
	4V310B-3/8	\$37.62	3/8, 1/4 (Exh)		4/5/2/1		1.68		
		1/8	0.67						
二(三)位五通 电磁阀 (双头位置) 	4V120-1/8	\$37.13	1/8	4/5/2/2	0.67	2.5 W			
	4V220-1/4	\$37.13	1/4, 1/8 (Exh)		0.89				
	4V320-3/8	\$45.54	3/8, 1/4 (Exh)		1.68				
	4V420-1/2	\$79.70	1/2		2.79				
二(三)位五通 电磁阀 (双头位置) 	4V130C-1/8	\$64.35	1/8	4/5/3/2 封闭型 Closed Center	0.5	2.5 W			
	4V230C-1/4	\$64.35	1/4, 1/8 (Exh)		0.67				
	4V330C-3/8	\$88.61	3/8, 1/4 (Exh)		1				
	4V430C-1/2	\$113.85	1/2		1.68				
	4V130P-1/8	\$64.35	1/8	4/5/3/2 压力型 Pressure Center	0.5	2.5 W			
	4V230P-1/4	\$64.35	1/4, 1/8 (Exh)		0.67				
	4V330P-3/8	\$88.61	3/8, 1/4 (Exh)		1				
	4V430P-1/2	\$113.85	1/2		1.68				
	二(三)位五通 电磁阀 (双头位置)	4V130E-1/8	\$64.35	1/8	4/5/3/2 排气型 Exhaust Center	0.5	2.5 W		
		4V230E-1/4	\$64.35	1/4, 1/8 (Exh)		0.67			
4V330E-3/8		\$88.61	3/8, 1/4 (Exh)	1					
4V430E-1/2		\$113.85	1/2	1.68					



线圈	型号 Part No.	价格 Price	电压选择 Voltage Options	接线形式 Electrical	耗电量 Power	规格 Specifications	连接 DIN 线圈 To connect DIN coil:
	100C	\$7.92	电压选择 Voltage Options: 1 = 12VDC 2 = 24VDC 3 = 110VAC 4 = 220VAC	有LED显示灯, 终端传电 D = DIN (with LED indicator, conduit terminal)	2.5 W	绝缘 F级 IP65 Insulation: F Class IP65;	1. 将螺丝钉从塑料外壳取出, 再从DIN线圈中拔出来 Remove the Philip screw from the plastic housing and unplug it from the DIN coil. 2. 由装螺丝钉的位置, 把螺丝推向终端 再将外壳拔出 From the screw opening, use the screw to push the terminal block out of the plastic housing. 3. 注意在DIN附件, 1和2地线的印记 Note the 1, 2 and ground markings on underside of DIN enclosure. 4. DIN线圈, 1连接正线, 2连接到负线 For DC DIN Coil, Connected 1 to Positive, 2 to Negative. 5. 交流电DIN线圈, 将1连接到火线, 2连接到中线, 有需要把落地线接上水线 For AC DIN Coil, connect 1 to HOT wire, 2 to Neutral wire, and if required connect ground to ground wire. 连接 Grommet 线圈 To connect Grommet coil: 1. 直流线圈, 把俩条线一条连接上正线, 另一条连接到负线 For DC Coil, connect one of the two wires to Positive, and the other wire to Negative. 2. 交流线圈, 把俩条线一条连接上火线, 另一条连接到中线 For AC Coil, connect one of the two wires to HOT wire, and the other wire to neutral wire.
	200C	\$7.92			3 - 4.8W		
	100C	\$7.13		G = Grommet (12" Lead Wire)	2.5 W	服务周期 Duty Cycle: 100% ED;	
	200C	\$7.13			3 - 4.8W		

气控阀价格表 Air Pilot Valve List Price

型号 Part No.	价格 Price	接管尺寸 Port Size (NPT)	通/接口/位置/线圈 # Ways/Port/ Position/Pilot	Cv	型号 Part No.	价格 Price	接口尺寸 Port Size (NPT)	通/接口/位置/线圈 # Ways/Port/ Position/Pilot	Cv	
 3A110-1/8	\$18.81	1/8	3/3/2/1	0.67	 二 (三) 位五通 气控阀	4A130C-1/8	1/8	4/5/3/2 关闭(中心) Closed Center	0.5	
3A210-1/4	\$18.81	1/4, 1/8		0.89		4A230C-1/4	\$49.01		1/4, 1/8 (Exh)	0.67
3A310-3/8	\$22.77	3/8, 1/4		1.68		4A330C-3/8	\$71.78		3/8, 1/4 (Exh)	1
3A410-1/2	\$37.62	1/2		2.79		4A430C-1/2	\$85.36		1/2	1.68
 3A120-1/8	\$23.76	1/8	3/3/2/2	0.67		4A130P-1/8	\$49.01	1/8	4/5/3/2 压力(中心) Pressure Center	0.5
3A220-1/4	\$24.26	1/4, 1/8		0.89		4A230P-1/4	\$49.01	1/4, 1/8 (Exh)		0.67
3A320-3/8	\$28.71	3/8, 1/4		1.68		4A330P-3/8	\$71.78	3/8, 1/4 (Exh)		1
3A420-1/2	\$49.01	1/2		2.79		4A430P-1/2	\$85.36	1/2		1.68
 4A110-1/8	\$18.81	1/8	4/5/2/1	0.67		4A130E-1/8	\$49.01	1/8	4/5/3/2 排气(中心) Exhaust Center	0.5
4A210-1/4	\$18.81	1/4, 1/8		0.89		4A230E-1/4	\$49.01	1/4, 1/8 (Exh)		0.67
4A310-3/8	\$22.77	3/8, 1/4		1.68		4A330E-3/8	\$71.78	3/8, 1/4 (Exh)		1
4A410-1/2	\$37.62	1/2		2.79		4A430E-1/2	\$85.36	1/2		1.68
 4A120-1/8	\$23.76	1/8	4/5/2/2	0.67						
4A220-1/4	\$24.26	1/4, 1/8		0.89						
4A320-3/8	\$28.71	3/8, 1/4		1.68						
4A420-1/2	\$49.01	1/2		2.79						

铝合金底座 Integrated Aluminum Base Mounted Manifolds*

To Order, Please Specify: 1) Model No., 2) Voltage, & 3) Electrical Entry Options

型号 Part No.	接口管径 Number of Stations	说明 Description	型号 Part No.	接口管径 Number of Stations	说明 Description
 100—400系列底座	3V-100M-2	\$11.00/2 stations	 100—400系列底座	4V-100M-2	\$11.00/2 station
	3V-100M-4	\$22.00/4 stations		4V-100M-4	\$22.00/4 station
	3V-100M-6	\$33.00/6 stations		4V-100M-6	\$33.00/6 station
	3V-100M-8	\$44.00/8 stations		4V-100M-8	\$44.00/8 stations
	3V-100M-16	\$88.00/16 stations		4V-100M-16	\$88.00/16 stations
	3V-100M-B	\$4.84/blank plate		4V-100M-B	\$4.84/blank plate
	3V-200M-2	\$11.00/2 stations		4V-200M-2	\$11.00/2 stations
	3V-200M-4	\$22.00/4 stations		4V-200M-4	\$22.00/4 stations
	3V-200M-6	\$33.00/6 stations		4V-200M-6	\$33.00/6 stations
	3V-200M-8	\$44.00/8 stations		4V-200M-8	\$44.00/8 stations
	3V-200M-16	\$88.00/16 stations		4V-200M-16	\$88.00/16 stations
	3V-200M-B	\$4.84/blank plate		4V-200M-B	\$4.84/blank plate
	3V-300M-2	\$16.50/2 stations		4V-300M-2	\$16.50/2 stations
	3V-300M-4	\$33.00/4 stations		4V-300M-4	\$33.00/4 stations
	3V-300M-6	\$49.50/6 stations		4V-300M-6	\$49.50/6 stations
	3V-300M-8	\$66.00/8 stations		4V-300M-8	\$66.00/8 stations
3V-300M-16	\$132.00/16 stations	4V-300M-16	\$132.00/16 stations		
3V-300M-B	\$4.84/blank plate	4V-300M-B	\$4.84/blank plate		
3V-400M-2	\$27.50/2 stations	4V-400M-2	\$27.50/2 stations		
3V-400M-4	\$55.00/4 stations	4V-400M-4	\$55.00/4 stations		
3V-400M-6	\$82.50/6 stations	4V-400M-6	\$82.50/6 stations		
3V-400M-8	\$110.00/8 stations	4V-400M-8	\$110.00/8 stations		
3V-400M-16	\$220.00/16 stations	4V-400M-16	\$220.00/16 stations		
3V-400M-B	\$4.84/blank plate	4V-400M-B	\$4.84/blank plate		

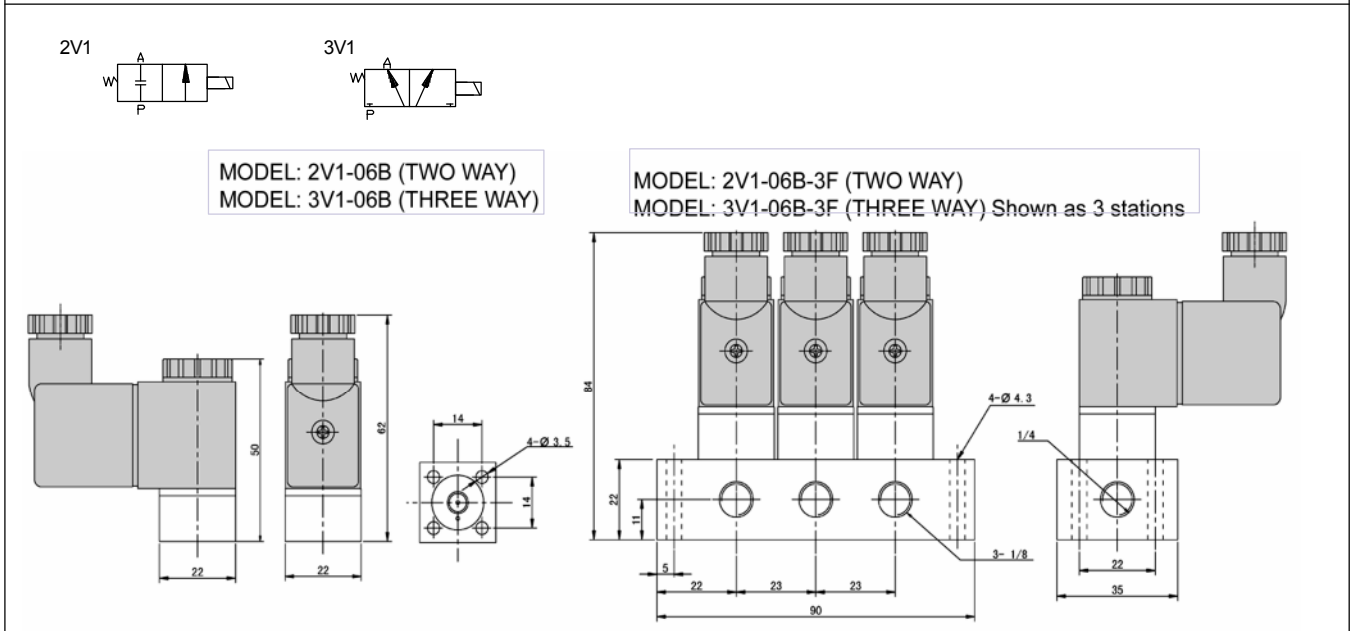
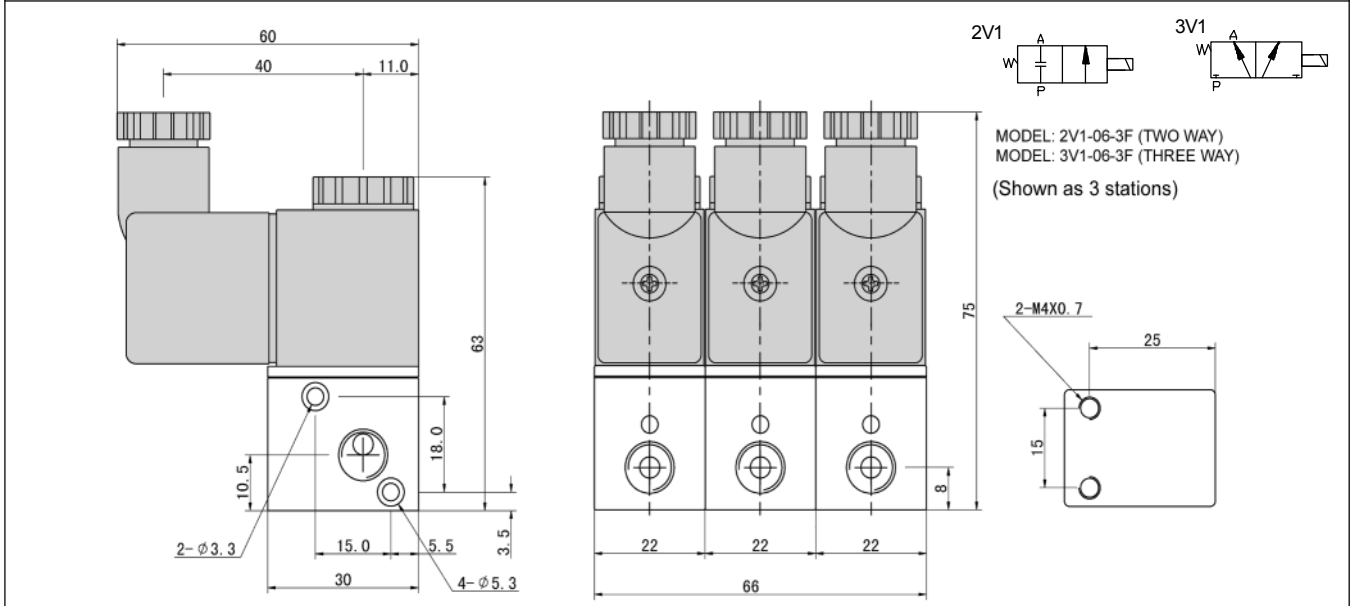
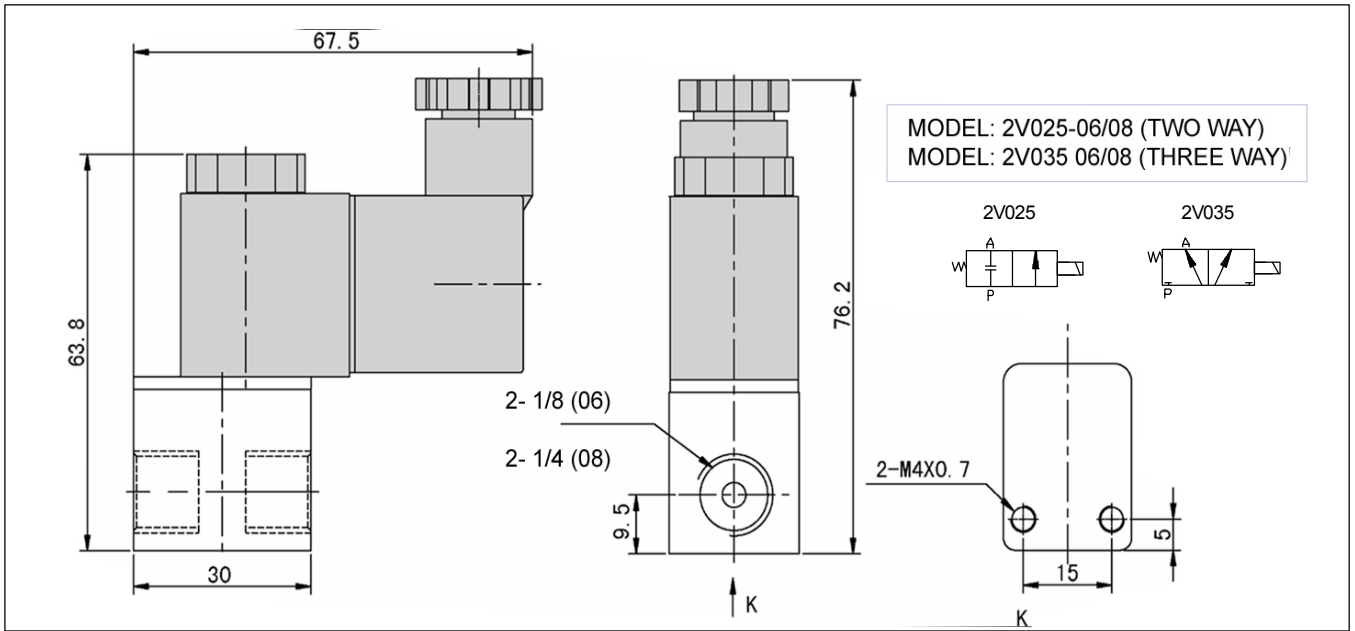
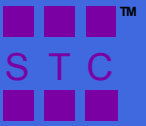
* Includes mounting hardware and seals

规格 Specifications

阀门类型 Valve Type	3V & 4V 100-400 系列阀 Series Valves	2V1, 3V1, 2V025-035 2P025-035 系列 Series Valves	3A & 4A 100-400 系列阀 Series Valves
接口和接线 Port & Mounting	主体接口和底座连接 Body Ported, Manifold Mounted	主体接口堆积连接和底座连接 Body Ported, Stacking or Manifold	主体接口和底座连接 Body Ported, Manifold Mounted
运行方式 Action & Motion	内部导向式, 接线式 Internal Pilot, Spool Design	直动式 Direct Acting	气控式, 接线式 Air Pilot, Spool Design
操作压力 Operating Pressure	21 to 115 PSI	真空至115PSI Vacuum to 115 PSI	0 to 115 PSI
绝缘性及防护等级 Coil Insulation & Protection Class	F 级 Class, IP65 (CE Certification)	F Class, IP65 (CE Certification)	N/A
工作制式 Coil Duty Cycle	100% ED	100% ED	100% ED
手控式 Manual Override	非锁定 Non-Locking: 100 系列	非锁定 Non-Locking	N/A
电连接方式 Electrical Connection	D = DIN (with LED indicator, conduit terminal)		N/A
工作介质 Working Medium	40微米过滤的空气或进气和液体 40 micron filtered air or inert gas	40微米过滤的空气或进气和液体 40 micron filtered air, inert gas & liquid	40微米过滤的空气或进气和液体 40 micron filtered air, inert gas & liquid
最大压力 Maximum Pressure	180 PSI		
工作温度 Operating Temperature	14 to 140 Deg. F (-10 to 60 Deg. C)		
主体材料 Body Material	铝 (2P 系列, 有塑料) Aluminum (Engineered Plastic for 2P Series)		
油封材质 Seal Material	NBR (Buna N)		
润滑 Lubrication	不需要 Not Required		

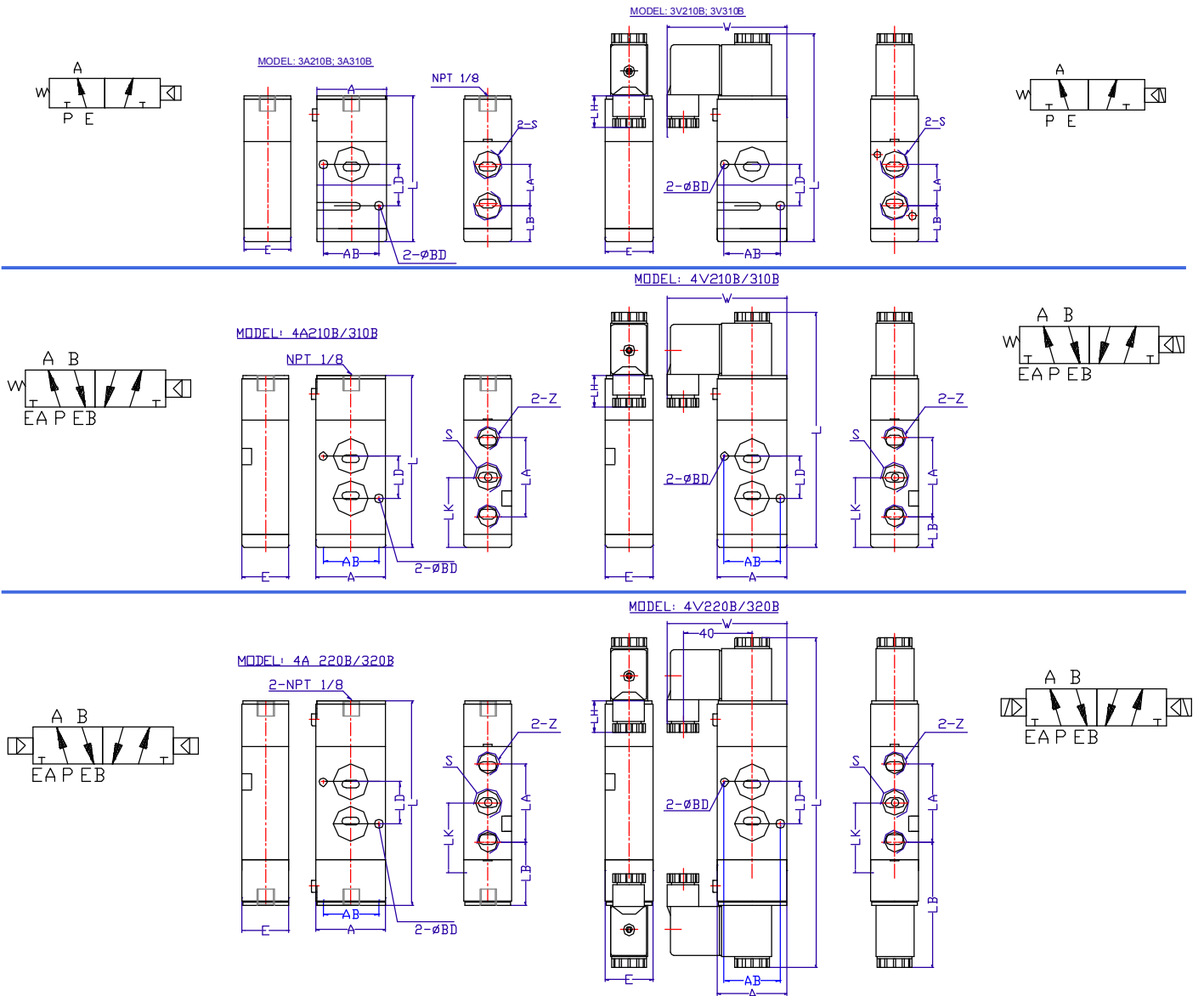
电磁阀尺寸

Solenoid Valve Dimensions



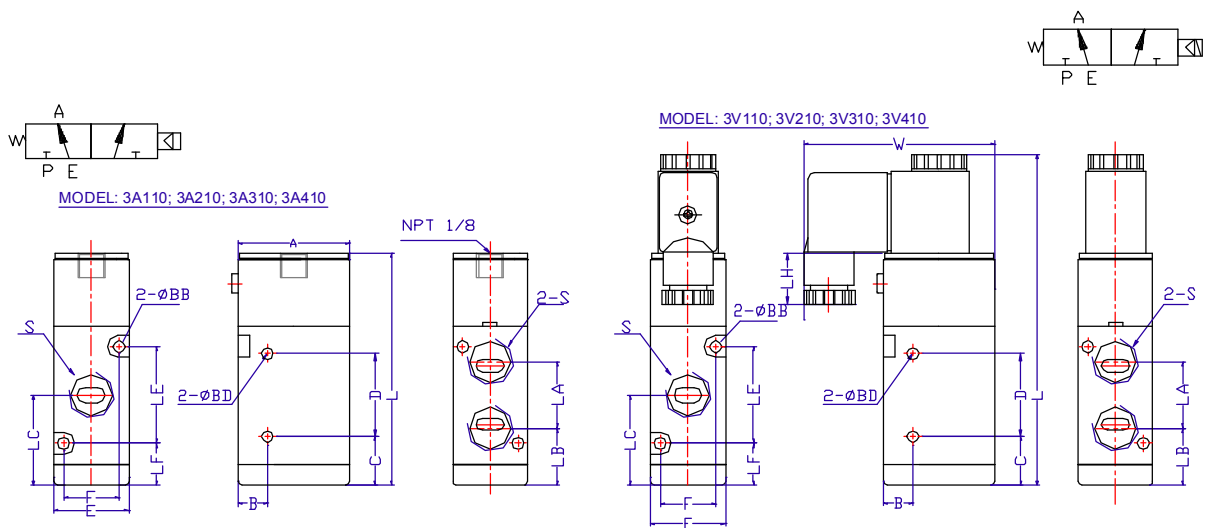
电磁阀 | 气控阀尺寸

Solenoid & Air Pilot Valves Dimensions

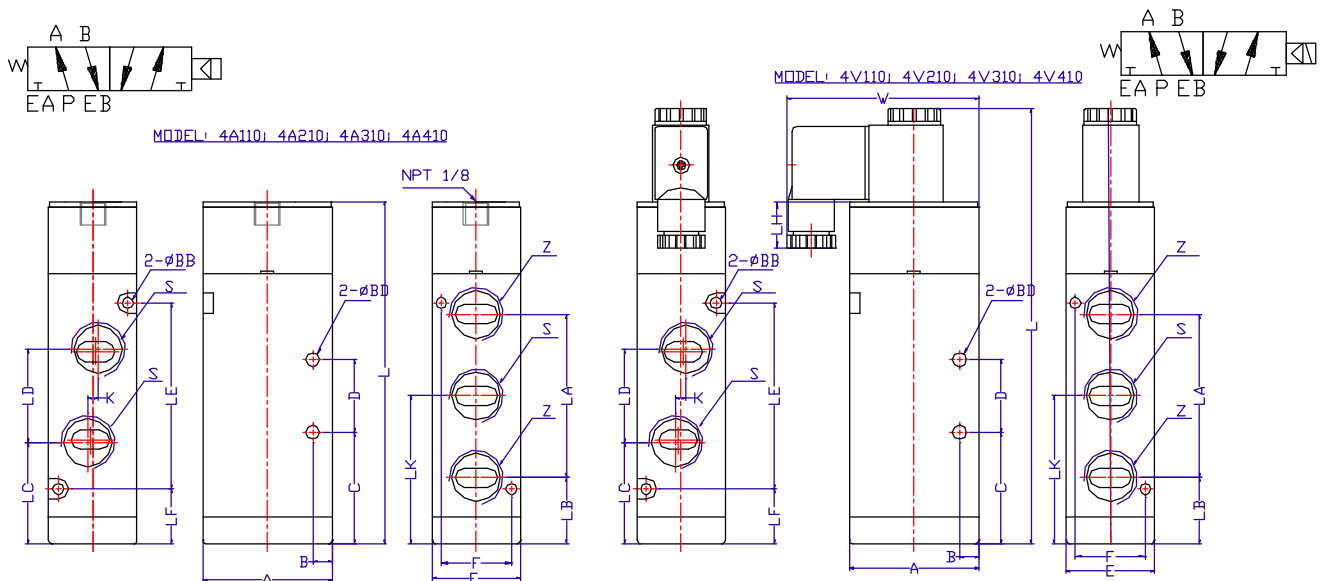


型号 Model	A	E	L	S	W	Z	AB	BD	LA	LB	LD	LH	LK
3A210-1/4B	35	22	77.7	1/4	66.5		29	4.3	18	21			
3A310-1/4B	40	27	80.5	3/8	69		32	5.5	24	20.5			
3A310-3/8B	40	27	80.5	3/8	69		32	5.5	24	20.5			
3V210-1/4B	35	22	111.5	1/4	66.5		29	4.3	18	21		18	
3V310-1/4B	40	27	119.4	1/4	69		32	5.5	24	20.5		18	
3V310-3/8B	40	27	119.4	3/8	69		32	5.5	24	20.5		18	
4A210-1/4B	35	22	77.7	1/4	66.5	1/8	29	4.3	36	13.5	23		31.7
4A310-1/4B	40	27	95.5	1/4	69	1/4	32	5.5	45	17.5	24		40
4A310-3/8B	40	27	95.5	3/8	69	1/4	32	5.5	45	17.5	24		40
4V210-1/4B	35	22	116.5	1/4	66.5	1/8	29	4.3	36	13.5	23	18	32.5
4V310-1/4B	40	27	134.5	1/4	69	1/4	32	5.5	45	17.5	24	18	40
4V310-3/8B	40	27	134.5	3/8	69	1/4	32	5.5	45	17.5	24	18	40
4A220-1/4B	35	22	92	1/4	66.5	1/8	29	4.3	36	28	23		46
4A320-1/4B	40	27	111	1/4	69	1/4	32	5.5	45	33	24		55.5
4A320-3/8B	40	27	111	3/8	69	1/4	32	5.5	45	33	24		55.5
4V220-1/4B	35	22	169.8	1/4	66.5	1/8	29	4.3	36	66.9	23	18	84.9
4V320-1/4B	40	27	188.8	1/4	69	1/4	32	5.5	45	71.9	24	18	94.4
4V320-3/8B	40	27	188.8	3/8	69	1/4	32	5.5	45	71.9	24	18	94.4

电磁阀 | 气控阀尺寸 Solenoid & Air Pilot Valves Dimensions



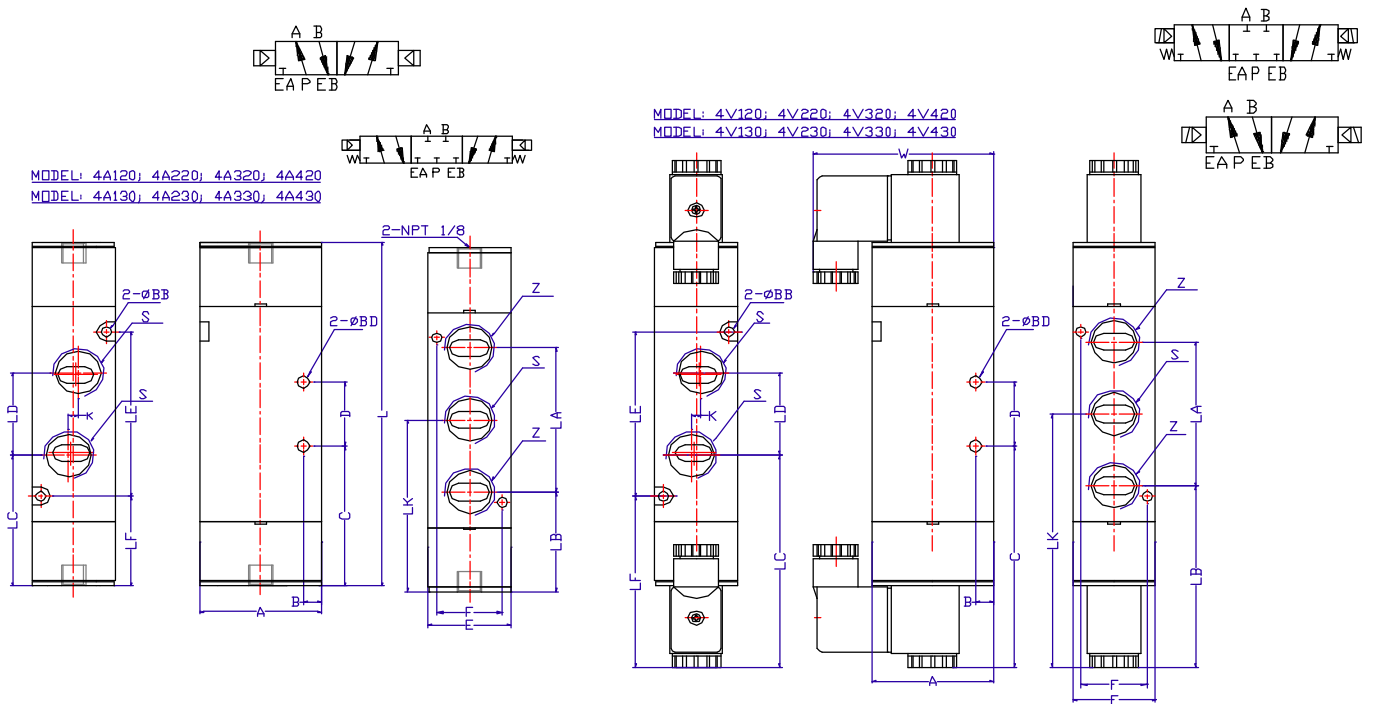
型号 MODEL	A	B	D	E	F	L	S	W	BB	BD	LA	LB	LC	LE	LF	LH
3A110-1/8	27	7.7	21	18.0	13	56.5	1/8	53.5	3.3	3.3	16	14.0	23	19	12.5	
3A210-1/4	35	8.0	25	22.0	17	77.7	1/4	66.5	3.3	4.3	18	21.0	31	33	12.5	
3A310-3/8	40	10.5	30	27.0	20	80.5	3/8	69	4.3	4.3	24	20.5	32.5	35	15	
3A410-1/2	50	13.5	51	34.0	27	96.5	1/2	73.9	4.3	5.5	36	25.5	41.5	44	15.5	
3V110-1/8	27	7.7	21	18.0	13	85.8	1/8	53.5	3.3	3.3	16	14.0	23	19	12.5	10
3V210-1/4	35	8.0	25	22.0	17	111.5	1/4	66.5	3.3	4.3	18	21.0	31	33	12.5	18
3V310-3/8	40	10.5	30	27.0	20	119.4	3/8	69	4.3	4.3	24	20.5	32.5	35	15	18
3V410-1/2	50	13.5	51	34.0	27	137.0	1/2	73.5	4.3	5.5	36	25.5	41.5	44	15.5	18



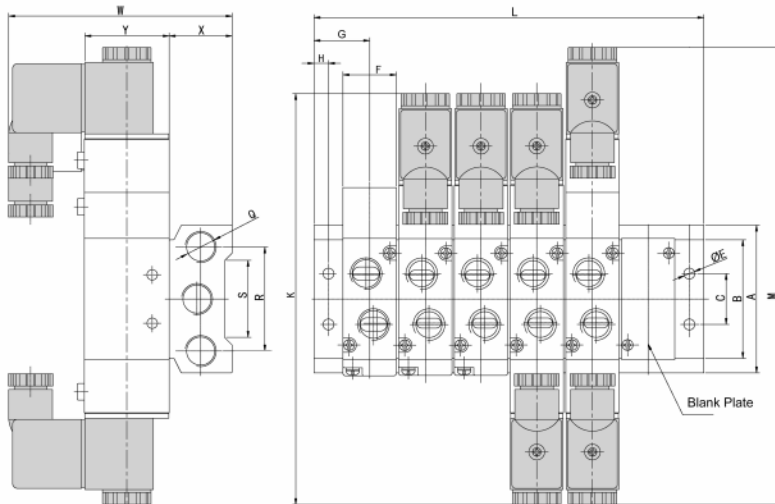
型号 Model	A	B	C	D	E	F	K	L	S	W	Z	BB	BD	LA	LB	LC	LD	LE	LF	LH	LK
4A110-1/8	27	4.0	21.0	14	18	13	3	68.7	1/8	53.5	1/8	3.3	3.3	28	14.2	20.2	16	30	13.0		28.2
4A210-1/4	35	7.0	21.5	20	22	17	3	77.7	1/4	66.5	1/8	3.3	4.3	36	13.5	21.0	21	38	12.5		31.7
4A310-3/8	40	6.5	28.0	24	27	20	4	95.5	3/8	69	1/4	4.3	4.3	45	17.5	28.0	24	50	15.0		40.0
4A410-1/2	50	7.5	43.0	28	34	27	4	128	1/2	73.5	1/2	4.3	5.5	63	25.5	39.0	36	72	21.0		57.0
4V110-1/8	27	4.0	21.0	14	18	13	3	98	1/8	53.5	1/8	3.3	3.3	28	14.0	20.0	16	30	13.0	10	28.0
4V210-1/4	35	7.0	21.5	20	22	17	3	116.5	1/4	66.5	1/8	3.3	4.3	36	13.5	21.0	21	38	12.5	18	32.5
4V310-3/8	40	6.5	28.0	24	27	20	4	134.5	3/8	69	1/4	4.3	4.3	45	17.5	28.0	24	50	15.0	18	40.0
4V410-1/2	50	7.5	43.0	28	34	27	4	167.9	1/2	73.5	1/2	4.3	5.5	63	25.5	39.0	36	72	21.0	18	57.0

电磁阀\气控阀和阀门底座尺寸

Solenoid & Air Pilot Valves | Manifolds Dimensions



型号 Model	A	B	C	D	E	F	K	L	S	W	Z	BB	BD	LA	LB	LC	LD	LE	LF	LH	LK
4A120-1/8	27	4.0	33.5	14	18	13	3	81	1/8	53.5	1/8	3.3	3.3	28	26.5	32.5	16	30	25.5		40.5
4A220-1/4	35	7.0	36.0	20	22	17	3	92	1/4	66.5	1/8	3.3	4.3	36	28.0	37.0	21	38	27.0		46.0
4A320-3/8	40	6.5	43.5	24	27	20	4	111	3/8	69	1/4	4.3	4.3	45	33.0	43.5	24	50	30.5		55.5
4A420-1/2	50	7.5	51.0	28	34	27	4	128	1/2	73.5	1/2	4.3	5.5	63	39.5	71.0	36	72	35.0		71.0
4V120-1/8	27	4.0	62.8	14	18	13	3	139.5	1/8	53.5	1/8	3.3	3.3	28	56.0	52.0	16	30	54.8	10	69.8
4V220-1/4	35	7.0	74.9	20	22	17	3	169.8	1/4	66.5	1/8	3.3	4.3	36	66.9	74.4	21	38	65.9	18	84.9
4V320-3/8	40	6.5	82.4	24	27	20	4	188.8	3/8	69	1/4	4.3	4.3	45	71.9	82.4	24	50	69.4	18	94.4
4V420-1/2	50	7.5	96.9	28	34	27	4	217.5	1/2	73.5	1/2	4.3	5.5	63	79.4	92.9	36	72	74.9	18	110.9
4A130-1/8	27	4.0	33.5	14	18	13	3	96	1/8	53.5	1/8	3.3	3.3	28	26.5	32.5	16	30	25.5		40.5
4A230-1/4	35	7.0	36.0	20	22	17	3	110	1/4	66.5	1/8	3.3	4.3	36	28.0	37.0	21	38	27.0		46.0
4A330-3/8	40	6.5	43.5	24	27	20	4	130	3/8	69	1/4	4.3	4.3	45	33.0	43.5	24	50	30.5		55.5
4A430-1/2	50	7.5	51.0	28	34	27	4	165	1/2	73.5	1/2	4.3	5.5	63	39.5	71.0	36	72	35.0		71.0
4V130-1/8	27	4.0	62.8	14	18	13	3	154.6	1/8	53.5	1/8	3.3	3.3	28	56.0	52.0	16	30	54.8	10	69.8
4V230-1/4	35	7.0	74.9	20	22	17	3	188.8	1/4	66.5	1/8	3.3	4.3	36	66.9	74.4	21	38	65.9	18	84.9
4V330-3/8	40	6.5	82.4	24	27	20	4	207.8	3/8	69	1/4	4.3	4.3	45	71.9	82.4	24	50	69.4	18	94.4
4V430-1/2	50	7.5	96.9	28	34	27	4	242.8	1/2	73.5	1/2	4.3	5.5	63	79.4	92.9	36	72	74.9	18	110.9

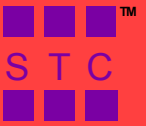


4V100-400M Manifold Dimensions

型号 Model	A	B	C	E	F	G	H	K	L
100M	58	44	20	4.2	18.3	19	5	140	(N-1)*19+38
200M	61	51	21	4.3	22.4	23	6	170	(N-1)*23+46
300M	75	65	26	4.5	27.3	27	6	189	(N-1)*28+54
400M	104	95	32	5.5	34.3	31.5	7	222	(N-1)*35+63
型号 Model	M	Q	R	S	T	W	X	Y	
100M	155	1/4	40	30	M3x.5	78.5	25	27	
200M	189	1/4	43	32	M3x.5	92.5	26	35	
300M	208	3/8	53	48	M4x.7	99	30	40	
400M	243	1/2	68	67	M4x.7	112	38	50	

手动阀与流体阀

Manual & Actuated Process Valves



优良的品质
Fine Quality



精密的制作
Precision Engineered



先进的设计
Advanced Design



Excellent Prices
称心的价格

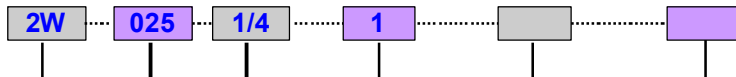


目录 Contents

STC流体阀数字系统 Process Valve Numbering System.....	D2-3
STC流体阀价格表 Process Valve List Price.....	D4-7
STC电磁阀规格 Solenoid Valve Specifications.....	D7
STC阀门技术上的数据 Valve Technical Data.....	D8-12

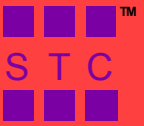
流体电磁阀的数字系统 STC Process Solenoid Valve Numbering System

订购码 Ordering Part No. =
e.g. 2W025-1/4-1



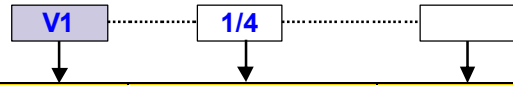
ACTION	常闭/常开 NC/NO	材质 Body Material	模型 Model	孔口大小 Orifice Size 10X (mm)	接口大小 Port Size NPT	电压类型 Voltage Options	线圈功率 Coil Power	油封材质 Seal Options	Cv	特征 Features
2位直动式 2 Way Direct Acting Zero Differential	NC	不锈钢 Stainless	2H012	012	1/8	1 = 12 VDC 2 = 24 VDC 2A = 24 VAC 3 = 110 VAC 4 = 220VAC (50/60Hz) E = Explosion Proof	功率选择 Power Options: Blank = 大功率 High Power (100% 比率压力 100% Rated Pressure) M = 大功率 High Power (80% 比率压力 80% Rated Pressure) L = 小功率 Low Power (40% 比率压力 40% Rated Pressure flow)	空格: NBR Blank: NBR 选项: Options: E=EPDM, V=Viton P=PTFE	0.05	操作温度 Operating Temp: -5 to 80 °C 操作压力 Operating Pressure: 2P/2V: Vacuum to 115 PSI 2S/2W: Vacuum to 150 PSI 绝缘性和防护等级 Coil: F Class, IP65, 100% ED 选项: NBR, (Viton Option) 介质 Service: 空气, 瓦斯, 液体 Air, Gas, Liquid
		塑料 Plastic	2P	025	1/8				0.23	
		铝 Aluminum	2V	025	1/4				0.23	
	NO	不锈钢 Stainless	2S	025	1/4				0.6	
		铜 Brass	2W	040	3/8				0.23	
		铜 Brass	2WO	040	3/8				0.6	
3位直动式 3 Way Direct Acting Zero Differential	NC/NO	塑料 Plastic	3P	010	1/8	0.05	0.05	0.1	0.1	接触面 Wetted Parts: 2P: 塑料和不锈钢 Plastic & Stainless Steel 2V: 铝和不锈钢 Aluminum & Stainless Steel 2S: 不锈钢 Stainless Steel 2W: 铜和不锈钢 Brass & Stainless Steel
		铝 Aluminum	3V	1/4	0.1					
		不锈钢 Stainless	3S	1/4	0.1					
2位直动膜片式 2 Way Direct Lift Diaphragm Zero Differential	NC	不锈钢 Stainless Steel	2S	160	3/8	1 = 12 VDC 2 = 24 VDC 2A = 24 VAC 3 = 110 VAC 4 = 220VAC (50/60Hz)	功率选择 Power Options: Blank = 大功率 High Power (100% 比率压力 100% Rated Pressure) M = 大功率 High Power (80% 比率压力 80% Rated Pressure) L = 小功率 Low Power (40% 比率压力 40% Rated Pressure flow)	空格: NBR Blank: NBR 选项: Options: V=Viton	4.8	操作温度 Operating Temp: -5 to 80 °C 操作压力 Operating Pressure: Vacuum to 150 PSI 绝缘性和防护等级 Coil: F Class, IP65, 100% ED 油封 Seals: NBR, (Viton Option) 介质 Service: 空气, 瓦斯, 液体 Air, Gas, Liquid
				160	1/2				4.8	
				200	3/4				7.6	
		250	1	12						
		350	1 1/4	24						
		400	1 1/2	29						
	NO	不锈钢 Stainless Steel	2SO	160	3/8				4.8	
				160	1/2				4.8	
				200	3/4				4.8	
		铜 Brass	2WO	250	1				7.6	
				350	1 1/4				12	
				400	1 1/2				24	
500	2	29								
48										
2位直动活塞式 2 Way Direct Lift Piston Zero Differential	NC	铜 Brass	2L	170	3/8	1 = 12 VDC 2 = 24 VDC 2A = 24 VAC 3 = 110 VAC 4 = 220VAC (50/60Hz)	功率选择 Power Options: Blank=大功率 High Power (100% 比率压力 100% Rated Pressure) M = 大功率 High Power (80% 比率压力 80% Rated Pressure) L = 小功率 Low Power (40% 比率压力 40% Rated Pressure flow)	空格: PTFE Blank: PTFE 标准 Standard	4.8	操作温度 Operating Temp: -5 to 150 °C 操作压力 Operating Pressure: 0 to 215 PSI 绝缘性和防护等级 Coil: F Class, IP65, 100% ED 油封 Seals: NBR, (Viton Option) 介质 Service: Air, Gas, Liquid 接触面 Wetted Parts: 2L: 铜和不锈钢 Brass & Stainless Steel 2LS: 不锈钢 Stainless Steel
				170	1/2				4.8	
				170	3/4				4.8	
		200	1	12						
		300	1 1/4	20						
		300	1 1/2	20						
2位膜片式 2 Way Pilot Diaphragm 5 PSI Differential	NC	铜 Brass	2V	130	3/8	1 = 12 VDC 2 = 24 VDC 2A = 24 VAC 3 = 110 VAC 4 = 220VAC (50/60Hz)	功率选择 Power Options: Blank=大功率 High Power (100% 比率压力 100% Rated Pressure) M = 大功率 High Power (80% 比率压力 80% Rated Pressure) L = 小功率 Low Power (40% 比率压力 40% Rated Pressure flow)	空格: NBR Blank: NBR 标准 Standard	6.2	操作温度 Operating Temp: -5 to 80 °C 操作压力 Operating Pressure: 4 to 115 PSI 绝缘性和防护等级 Coil: F Class, IP65, 100% ED 油封 Seal: NBR 介质 Service: Air, Gas, Liquid 接触面 Wetted Parts: 铜 Brass
				130	1/2				6.2	
				250	3/4				23	
		250	1	23						
		060	1/4	1.2						
		060	3/8	1.2						
2位活塞式 2 Way Pilot Piston 7 PSI Differential	NC	铜 Brass	2H	120	3/8	1 = 12 VDC 2 = 24 VDC 2A = 24 VAC 3 = 110 VAC 4 = 220VAC (50/60Hz)	功率选择 Power Options: Blank=大功率 High Power (100% 比率压力 100% Rated Pressure) M = 大功率 High Power (80% 比率压力 80% Rated Pressure) L = 小功率 Low Power (40% 比率压力 40% Rated Pressure flow)	空格 Blank: VITON Standard	4.5	操作温度 Operating Temp: -20 to 180 °C 操作压力 Operating Pressure: 7 to 230 PSI 绝缘性和防护等级 Coil: F Class, IP65, 100% ED 油封 Seal: PTFE 介质 Service: Air, Gas, Liquid, Steam 接触面 Wetted Parts: 不锈钢 stainless Steel
				150	1/2				4.5	
				200	3/4				9.3	
		250	1	12						
		320	1 1/4	24						
		400	1 1/2	29						
2位膜片式 2 Way Pilot Diaphragm 5 PSI Differential	NO	铜 Brass	2HO	150	1/2	1 = 12 VDC 2 = 24 VDC 2A = 24 VAC 3 = 110 VAC 4 = 220VAC (50/60Hz)	功率选择 Power Options: Blank=大功率 High Power (100% 比率压力 100% Rated Pressure) M = 大功率 High Power (80% 比率压力 80% Rated Pressure) L = 小功率 Low Power (40% 比率压力 40% Rated Pressure flow)	空格 Blank: VITON Standard	4.5	操作温度 Operating Temp: -20 to 180 °C 操作压力 Operating Pressure: 7 to 230 PSI 绝缘性和防护等级 Coil: F Class, IP65, 100% ED 油封 Seal: PTFE 介质 Service: Air, Gas, Liquid, Steam 接触面 Wetted Parts: 不锈钢 stainless Steel
				150	1/2				4.5	
				200	3/4				9.3	
2位活塞式 2 Way Pilot Piston 7 PSI Differential	NO	不锈钢 Stainless Steel	2MSO	120	3/8	1 = 12 VDC 2 = 24 VDC 2A = 24 VAC 3 = 110 VAC 4 = 220VAC (50/60Hz)	功率选择 Power Options: Blank=大功率 High Power (100% 比率压力 100% Rated Pressure) M = 大功率 High Power (80% 比率压力 80% Rated Pressure) L = 小功率 Low Power (40% 比率压力 40% Rated Pressure flow)	空格 Blank: PTFE Standard	4.5	操作温度 Operating Temp: -20 to 180 °C 操作压力 Operating Pressure: 7 to 230 PSI 绝缘性和防护等级 Coil: F Class, IP65, 100% ED 油封 Seal: PTFE 介质 Service: Air, Gas, Liquid, Steam 接触面 Wetted Parts: 不锈钢 stainless Steel
				150	1/2				4.5	
				200	3/4				9.3	
2位活塞式 2 Way Pilot Piston 7 PSI Differential	NO	不锈钢 Stainless Steel	2MS	120	3/8	1 = 12 VDC 2 = 24 VDC 2A = 24 VAC 3 = 110 VAC 4 = 220VAC (50/60Hz)	功率选择 Power Options: Blank=大功率 High Power (100% 比率压力 100% Rated Pressure) M = 大功率 High Power (80% 比率压力 80% Rated Pressure) L = 小功率 Low Power (40% 比率压力 40% Rated Pressure flow)	空格 Blank: PTFE Standard	4.5	操作温度 Operating Temp: -20 to 180 °C 操作压力 Operating Pressure: 7 to 230 PSI 绝缘性和防护等级 Coil: F Class, IP65, 100% ED 油封 Seal: PTFE 介质 Service: Air, Gas, Liquid, Steam 接触面 Wetted Parts: 不锈钢 stainless Steel
				150	1/2				4.5	
				200	3/4				9.3	

流体阀数字系统 Process Valve Numbering System



手控阀数字系统 STC Manual Valve Numbering System

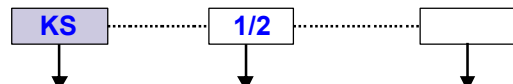
订购码 Ordering Part No. =
(e.g. V1-1/4)



手动球阀 Manual Ball Valves	型号 Model	接口大小 Port Size (NPT)	选项 Options
减径316 SS 球阀 (1片) Reduced port 316 SS ball valve (1 Piece)	V1	1/4	
全径316 SS 球阀 (2片) Full port 316 SS ball valve (2 Piece)	V2	3/8	
全径316 SS 球阀 (3片) Full port 316 SS ball valve (3 Piece)	V3	1/2	
全径316 SS 球阀 (3片) Full port 316 SS ball valve (3 Piece, Tri-Clamp)	V3C	3/4	
全径316 SS 球阀 (2片) Full port brass ball valve (2 Piece)	T101L	1	
减径镀铬铜球阀 (FXF 接口) Reduced port chrome plated brass ball valve (FXF port)	T400	1 1/4	
减径镀铬铜球阀 (FXF 接口) Reduced port chrome plated brass ball valve (FXM port)	T400FM	1 1/2	
316 SS 针阀 Needle valve	VNO1	2	

气动阀数字系统 STC Air Actuated Valve Numbering System

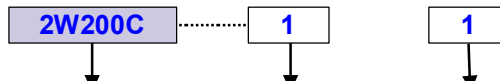
订购码 Ordering Part No. =
(e.g. KS 1/2)



		气动阀 AIR ACTUATED VALVE	型号 Model	接口大小 Port Size (NPT)	选项 Options
	气动球阀 Ball Valve 316 Stainless Steel	单向运行 Single Acting 弹簧回返 Spring Return	KS	1/2"	
		双向运行 Double Acting 空气回返 Air Return	KD	3/4"	
	角座阀 Angle Valve 316 Stainless Steel	单向运行 Single Acting 弹簧回返 Spring Return	2KS	1"	
		双向运行 Double Acting 空气回返 Air Return	2KD	1 1/4"	
	二位二通电磁阀 Plunger Valve Brass	单向运行 Single Acting 弹簧回返 Spring Return	2QS	1 1/2"	
		双向运行 Double Acting 空气回返 Air Return	2QD	2"	

STC线圈数字系统 Coil Numbering System

订购码 Ordering Part No. =
(e.g. 2W200C-1)



线圈 Coils	型号 Model	电压 Voltage	瓦特 Wattage, W
线圈用于2P和2V系列阀 Coil for 2P & 2V Series Valves	200C	1 = 12 VDC 2 = 24 VDC	3, 4.8, 6.5
线圈用于2W和2S 025至250系列阀 Coil for 2W & 2S 025 TO 250 series valves	2W200C		14, 20, 25
线圈用于2WO和2SO 160至500系列阀 Coil for 2WO & 2SO 160 TO 500 series valves	2WOC	2A = 24 VAC 3 = 110 VAC 4 = 220VAC (50-60Hz)	20-40
线圈用于2L和2S 350 至500系列阀 Coil for 2L, 2W & 2S 350 TO 500 series valves	2W300C		25-65

流体电磁阀价格表

Process Solenoid Valve List Price

To Order, Please Specify: 1. **Model No.**, 2. **Voltage**

Image	阀门类型 Valve Type	型号 Part No.	价格 List Price	接口大小 Port Size	电压类型 Voltage Options	功率 Power	Cv	特征 Features
	2 Way, NC Direct Acting Plastic Body 塑料直动式常闭型	2P025-1/8	\$18.81	1/8	1 = 12 VDC 2 = 24VDC	3-6.5	0.23	二位, 直动式, 常闭 2 Way, Direct Acting, Normally Closed 操作温度 Operating Temp: -5 to 80 °C 工作压力 Operating Pressure: Vacuum to 115 PSI 绝缘性及防护等级 Coil: F Class, IP65, 100% ED 介质 Service: 空气, 瓦斯, 液体 Air, Gas, Liquid 油封 Seals: NBR, (Viton Option) 材质 Body Material:
		2P025-1/4	\$18.81	1/4				
	2 Way, NC Direct Acting Aluminum Body 直动式常闭型	2V025-1/8	\$18.81	1/8	2A = 24VAC 3 = 110VAC 4 = 220VAC (50/60Hz)	3-6.5	0.23	
		2V025-1/4	\$18.81	1/4				
	2 Way, NC Direct Acting Brass Body 直动式常闭型黄铜	2W025-1/4	\$27.50	1/4	1 = 12 VDC 2 = 24VDC	14-20	0.23	二位, 直动式, 常闭 2 Way, Direct Acting, Normally Closed 操作温度 Operating Temp: -5 to 80 °C 工作压力 Operating Pressure: Vacuum to 150 PSI 绝缘性及防护等级 Coil: H Class, IP65, 100% ED 介质 Service: 空气, 瓦斯, 液体 Air, Gas, Liquid 油封 Seals: NBR, (Viton Option) 材质 Body Material: 2S Series: 304 不锈钢 Stainless Steel Body 2W Series: 铜 Brass
		2W040-3/8	\$34.16	3/8				
	2 Way, NC Direct Acting Stainless Steel Body 直动式常闭型不锈钢	2S025-1/4	\$30.69	1/4	2A = 24VAC 3 = 110VAC 4 = 220VAC 50/60Hz	14-20	0.23	
		2S050-3/8	\$42.57	3/8				
	1000 PSI, 2 Way, NC Direct Acting	2H012	\$56.25	1/8	1 = 12 VDC 2 = 24VDC	15	0.05	二位, 直动式, 常闭 2 Way, Direct Acting, Normally Closed 操作温度 Operating Temp: 0 to 85 °C 工作压力 Operating Pressure: Vacuum to 300, 500, 1000 PSI 绝缘性及防护等级 Coil: H Class, IP65, 100% ED 介质 Service: 空气, 瓦斯, 液体 Air, Gas, Liquid
		2H018	\$56.25	1/8				
		2H025	\$56.25	1/8				
	2 Way, NO Direct Acting Stainless Steel	2SO025-1/4	\$54.45	1/4	1 = 12 VDC 2 = 24VDC	30	0.23	二位, 直动式, 常开 2 Way, Direct Acting, Normally Open 操作温度 Operating Temp: -5 to 80 °C 工作压力 Operating Pressure: Vacuum to 150 PSI 绝缘性及防护等级 Coil: H Class, IP65, 100% ED 介质 Service: 空气, 瓦斯, 液体 Air, Gas, Liquid 油封 Seals: NBR, (Viton Option) 材质 Body Material: 2W Series: 铜 Brass
		2SO040-3/8	\$63.80	3/8				
		2WO025-1/4	\$48.80	1/4				
		2WO040-3/8	\$56.80	3/8				
	3 Way, NC Direct Acting Plastic 直动式常闭型(塑料)	3P010-1/8	\$19.80	1/8	1 = 12 VDC 2 = 24VDC	3-6.5	0.05	三位, 直动式 3 Way, Direct Acting 操作温度 Operating Temp: -5 to 80 °C 压力 Pressure: Vacuum to 115 PSI 绝缘性及防护等级 Coil: F Class, IP65, 100% ED 介质 Service: 空气, 瓦斯, 液体 Air, Gas, Liquid 油封 Seals: NBR, (Option: Viton)
		3P010-1/4	\$19.80	1/4				
	3 Way, NC Direct Acting Aluminum 直动式常闭型(铝)	3V010-1/8	\$19.80	1/8	2A = 24VAC 3 = 110VAC 4 = 220VAC (50/60Hz)	3-6.5	0.05	
		3V010-1/4	\$19.80	1/4				
	3 Way, NC Direct Acting Stainless Steel	3S035-1/4	\$59.00	1/4		14-20	0.5	三位, 直动式 3 Way, Direct Acting 操作温度 Operating Temp: -5 to 80 °C 压力 Pressure: Vacuum to 150 PSI 绝缘性及防护等级 Coil: F Class, IP65, 100% ED 介质 Service: Air, Gas, Liquid 油封 Seals: NBR,
		3W025-1/4	\$42.50	1/4				
	2 Way, NC Direct Lift Diaphragm Brass Zero Differential 直拉膜片式常闭型 (黄铜)	2W160-3/8	\$54.45	3/8	1 = 12 VDC 2 = 24VDC	14-20	4.8	二位常闭, 直动膜片式 Normally Closed, 2 Way Direct Lift Diaphragm 操作温度 Operating Temp: -5 to 80 °C 工作压力 Operating Pressure: Vacuum to 150 PSI 绝缘性及防护等级 Coil: F Class, IP65, 100% ED 介质 Service: Air, Gas, Liquid 油封 Seals: NBR, (Viton High Temp. Option) 材质 Body Material: 铜 Brass
		2W160-1/2	\$54.45	1/2				
		2W200-3/4	\$62.87	3/4				
		2W250-1	\$82.50	1				
		2W350-1 1/4	\$169.29	1 1/4				
		2W400-1 1/2	\$188.10	1 1/2				
	2 Way, NC Direct Lift Diaphragm Stainless Steel Zero Differential 直拉膜片式常闭型 不锈钢	2S160-3/8	\$103.46	3/8	1 = 12 VDC 2 = 24VDC	14-20	4.8	二位常闭, 直动膜片式 Normally Closed, 2 Way Direct Lift Diaphragm 操作温度 Operating Temp: -5 to 80 °C 工作压力 Operating Pressure: Vacuum to 150 PSI 绝缘性及防护等级 Coil: F Class, IP65, 100% ED 介质 Service: Air, Gas, Liquid 油封 Seals: NBR, (Viton High Temp. Option) 材质 Body Material: 304 不锈钢 Stainless Steel
		2S160-1/2	\$103.46	1/2				
		2S200-3/4	\$117.32	3/4				
		2S250-1	\$131.18	1				
		2S350-1 1/4	\$239.71	1 1/4				
		2S400-1 1/2	\$255.75	1 1/2				
		2S500-2	\$399.56	2		35	48	

流体电磁阀价格表

Process Solenoid Valve List Price



To Order, Please Specify: 1) **Model No.**, 2) **Voltage**

		型号	价格	接口大小	电压	功率	Cv	特征 Features
 <p>直拉膜片式常开型</p>	2 Way, NO Direct Lift Diaphragm Zero Differential Brass	2WO 160-3/8	\$91.58	3/8	电压类型 Voltage Options: 1 = 12 VDC 2 = 24VDC	30	4.8	常开 Normally Open 二位, 直动膜片式 2 Way, Direct Lift Diaphragm 温度 Temperature: -5 to 80 °C 压力 Pressure: Vacuum to 150 PSI 绝缘性及防护等级 Coit: F Class, IP65, 100% ED
		2WO 160-1/2	\$91.58	1/2			4.8	
		2WO 200-3/4	\$99.88	3/4			7.6	
		2WO 250-1	\$116.55	1			12	
		2WO 350-1 1/4	\$205.00	1 1/4			24	
		2WO 400-1 1/2	\$235.00	1 1/2			29	
		2WO 500-2	\$315.00	2			48	
 <p>直拉膜片式常开型</p>	2 Way, NO Direct Lift Diaphragm Zero Differential Stainless Steel	2SO 160-3/8	\$119.00	3/8	电压类型 Voltage Options: 1 = 12 VDC 2 = 24VDC 2A = 24VAC 3 = 110VAC 4 = 220VAC (50/60Hz)	30	4.8	介质 Service: Air, Liquid 油封 Seals: NBR (Option: Viton, EPDM) 材质 Body Material: 2S Series: 304 不锈钢 Stainless Steel 2W Series: 铜 Brass
		2SO 160-1/2	\$129.84	1/2			4.8	
		2SO 200-3/4	\$151.51	3/8			7.6	
		2SO 250-1	\$238.00	1			12	
		2SO 350-1 1/4		1 1/4			24	
		2SO 400-1 1/2	\$330.00	1 1/2			29	
		2SO 500-2	\$450.00	2			48	
 <p>直拉活塞式常闭型 (黄铜)</p>	2 Way, NC Direct Lift Piston Zero Differential Brass	2L170-3/8	\$87.95	3/8	电压类型 Voltage Options: 1 = 12 VDC 2 = 24VDC 2A = 24VAC 3 = 110VAC 4 = 220VAC (50/60Hz)	35	4.8	二位, 常闭, 直动活塞式 Normally Closed, 2 Way, Direct Lift Piston 铜体 Brass Body, 油封 Seals: PTFE 操作温度 Operating Temp: -5 to 150 °C 工作压力 Operating Pressure: 0 to 215 PSI 绝缘性及防护等级 Coit: F Class, IP65, 100% ED 介质 Service: 空气, 瓦斯, 液体, 蒸气 Air, Gas, Liquid, Steam 安装位置: 垂直线圈, 水平流程 Installation: Vertical Coil Position, Horizontal Flow
		2L170-1/2	\$103.46	1/2			4.8	
		2L170-3/4	\$117.32	3/4			4.8	
		2L200-1	\$131.18	1			12	
		2L300-1 1/4	\$185.52	1 1/4			20	
		2L300-1 1/2	\$216.32	1 1/2			20	
		2L500-2	\$325.22	2			48	
 <p>直拉活塞式常闭型</p>	2 Way, NC Direct Lift Piston Zero Differential Stainless Steel	2LS120 - 3/8	\$128.00	3/8	电压类型 Voltage Options: 1 = 12 VDC 2 = 24VDC 2A = 24VAC 3 = 110VAC 4 = 220VAC (50/60Hz)	15W 22VA	4.5	二位, 常闭, 直动活塞式 Normally Closed, 2 Way, Direct Lift Piston Operation 工作压力 Operating Pressure: 0 to 150 PSI 流体温度 Fluid Temperature: -20°C to 180°C 油封 Seal: PTFE 可并存的液体: Compatible Fluid: 蒸气, 空气, 惰性瓦斯, 水, 液体 Steam, Air, Inert Gases, Water, Liquid, etc.
		2LS150 - 1/2	\$128.00	1/2			4.5	
		2LS200 - 3/4	\$168.00	3/4			9.3	
		2LS250 - 1	\$198.00	1			12	
		2LS320 - 1 1/4		1 1/4			24	
		2LS400 - 1 1/2		1 1/2			29	
		2LS500 - 2		2			48	
 <p>活塞式常开型</p>	2 Way, NC Pilot Piston Stainless Steel	2MS120 - 3/8	\$128.00	3/8	电压类型 Voltage Options: 1 = 12 VDC 2 = 24VDC 2A = 24VAC 3 = 110VAC 4 = 220VAC (50/60Hz)	15W 22VA	4.5	二位, 常闭, 导向活塞式 Normally Closed, 2 Way, Pilot Piston Operation 工作压力 Operating Pressure: 7 to 230 PSI 流体温度 Fluid Temperature: -20°C to 180°C 油封 Seal: PTFE 可并存的液体: Compatible Fluid: 蒸气, 空气, 惰性瓦斯, 水, 液体 Steam, Air, Inert Gases, Water, Liquid, etc.
		2MS150 - 1/2	\$128.00	1/2			4.5	
		2MS200 - 3/4	\$168.00	3/4			9.3	
		2MS250 - 1	\$198.00	1			12	
		2MS320 - 1 1/4		1 1/4			24	
		2MS400 - 1 1/2		1 1/2			29	
		2MS500 - 2		2			48	
	2 Way, NO Pilot Piston Stainless Steel	2MSO120 - 3/8	\$148.00	3/8	电压类型 Voltage Options: 1 = 12 VDC 2 = 24VDC 2A = 24VAC 3 = 110VAC 4 = 220VAC (50/60Hz)	15W 22VA	4.5	二位, 常开, 导向活塞式 Normally Open, 2 Way, Pilot Piston Operation 工作压力 Operating Pressure: 7 to 230 PSI 流体温度 Fluid Temperature: -20°C to 180°C 油封 Seal: PTFE 周围温度 Ambient Temperature: -20 to 55°C 可并存的液体: Compatible Fluid: 蒸气, 空气, 惰性瓦斯, 水, 液体 Steam, Air, Inert Gases, Water, Liquid, etc.
		2MSO150 - 1/2	\$148.00	1/2			4.5	
		2MSO200 - 3/4	\$188.00	3/4			9.3	
		2MSO250 - 1	\$218.00	1			12	
		2MSO320 - 1 1/4		1 1/4			24	
		2MSO400 - 1 1/2		1 1/2			29	
		2MSO500 - 2		2			48	
 <p>膜片式常闭型(黄铜)</p>	2 Way, NC Pilot Diaphragm Brass	2V130-3/8	\$58.80	3/8	电压类型 Voltage Options: 1 = 12 VDC 2 = 24VDC 2A = 24VAC 3 = 110VAC 4 = 220VAC (50/60Hz)	3 to 6.5W	4.8	二位, 常闭, 导向膜片式 Normally Closed, 2 Way, Pilot Operated Diaphragm 铜体 Brass Body, 油封 Seals: NBR 操作温度 Operating Temp -5 to 80°C 工作压力 Operating Pressure: 4 to 115 PSI 绝缘性及防护等级 Coit: F Class, IP65, 100% ED 介质 Service: 空气, 瓦斯, 水, 液体 Air, Gas, Water, Liquid
		2V130-1/2	\$58.80	1/2			4.8	
		2V130-3/4	\$113.40	3/4			8	
		2V130-1	\$113.40	1			12	
		200C-U	\$6.50	UL				
	200-E	\$85.80	Explosion					
 <p>膜片式常闭型(铝)</p>	2 Way, NC Pilot Diaphragm Aluminum	2D200-3/4		3/4	电压类型 Voltage Options: 1 = 12 VDC 2 = 24VDC 2A = 24VAC 3 = 110VAC 4 = 220VAC (50/60Hz)	17	7.6	二位, 常闭 Normally Closed, 2 Way 油封 Seals: NBR 操作温度 Operating Temp: -10 to 80 °C 工作压力 Operating Pressure: 5 to 115 PSI 绝缘性及防护等级 Coit: F Class, IP65, 100% ED 介质 Service: 空气 Air, 材料 Material: 铝 Aluminum
		2D250-1		1			12	
		2D400-1 1/4		1 1/4			29	
		2D500-1 1/2		1 1/2			48	

Picture	阀门类型 Valve Type	型号 Part No.	价格 List Price	接口大小 Port Size (NPT)	电压 Voltage	功率 Power (W)	Cv	特征 Features
	2 Way, NC Direct Acting Teflon 二位二通直动式常闭型	2T060 - 1/4	\$165.00	1/4	1 = 12 VDC 2 = 24VDC 2A=24VAC 3 = 110VAC 4 = 220VAC (50/60Hz)	30	2.8	2位, 常闭 Normally Closed, 2Way. Teflon Valve 流体温度 Fluid Temperature: -20°C to 180°C 油封 Seal: PTFE 操作压力 Operating Pressure: 0 to 22 PSI 可并存的液体 Compatible Fluid: 腐蚀性&瓦斯, 酸, 碱 Corrosive fluid & gas, acid, alkali, etc.
		2T060 - 3/8	\$165.00	3/8				
		2T060 - 1/2	\$165.00	1/2				
	2 Way, NC, Pilot Diaphragm 5 to 1000 PSI 二位二通膜片式常闭型	2H100	\$174.00	3/8	1 = 12 VDC 2 = 24VDC 2A=24VAC 3 = 110VAC 4 = 220VAC (50/60Hz)	9	4.5	2位, 常闭, 膜片式 Normally Closed, 2Way, Pilot Diaphragm 操作压力 Operating Pressure: 5 to 1000 PSI 流体温度 Fluid Temperature: -10 to 150°C 油封 Seal: Viton 绝缘性及防护等级 Coit: 9W (DC), 17VA (AC) 可并存的液体 Compatible Fluid: 空气, 水, 油 Air, Water, Oil
		2H150	\$174.00	1/2				
	2 Way, NO, Pilot Diaphragm 5 to 725 PSI 二位二通膜片式常开型	2HO120	\$188.00	3/8	1 = 12 VDC 2 = 24VDC 2A=24VAC 3 = 110VAC 4 = 220VAC (50/60Hz)	9	4.5	2位, 常开, 膜片式 Normally Open, 2Way, Pilot Diaphragm 操作压力 Operating Pressure: 5 to 1000 PSI 流体温度 Fluid Temperature: -10 to 150°C 油封 Seal: Viton 绝缘性及防护等级 Coit: 9W (DC), 17VA (AC) 可并存的液体 Compatible Fluid: 空气, 水, 油 Air, Water, Oil
		2HO150	\$188.00	1/2				

线圈	型号 Part No.	价格 Price	电压选择 Voltage Options	接线方式 Electrical Connection	功率 Power	申请 Applications
	2W200C	\$23.10	1 = 12 VDC 2 = 24VDC 2A=24VAC 3 = 110VAC 4 = 220VAC (AC 50/60Hz)	H级绝缘 H Class Insulation, IP65 工作方式 Duty Cycle: 100% ED	12 to 20W	For 2S/2W 025 to 250 系列阀 series valves
	2W350C	\$35.75			25-40W	For 2/S2W 350-500 & 2L 170-500 系列阀 series valves
	2WOC	\$29.70			30-40 W	For 2SO/2WO 160-500 系列阀 series valves
	200C	\$7.92		D = DIN (with LED indicator) G = Grommet (12" Lead Wire) F Class Insulation, IP65	3 to 6.5 W	For 2V & 2P025-035 & 2V1, 3V1 系列阀 series valves

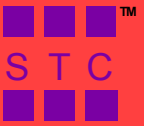
STC手动阀价格表 Manual Valve List Price




	一片式球阀	二片式球阀	三片式球阀	三片卡箍球阀	蝶阀	针型球阀
	Reduced Port Ball Valves	Full Port Ball Valves	Full Port Ball Valves	Full Port Ball Valves	Full Port Butterfly Valves	Needle Valves
型号 Model	V1	V2	V3	V3C	VBS01	VN01
材质 Material	316 SS	316 SS	316 SS	316 SS	316 SS	316 Stainless Steel
接口 Port	FNPT	FNPT	FNPT	Clamp	Clamp	NPT Female
大小 Size 1/4"	V1-1/4	V2-1/4	V3-1/4			VN01-1/4
3/8"	V1-3/8	V2-3/8	V3-3/8			VN01-3/8
1/2"	V1-1/2	V2-1/2	V3-1/2			VN01-1/2
3/4"	V1-3/4	V2-3/4	V3-3/4			VN01-3/4
1"	V1-1	V2-1	V3-1	V3C-1	VBS01-1	VN01-1
1 1/4"	V1-1 1/4	V2-1 1/4	V3-1 1/4			
1 1/2"	V1-1 1/2	V2-1 1/2	V3-1 1/2	V3C-1 1/2	VBS01-1 1/2	
2"	V1-2	V2-2	V3-2	V3C-2	VBS01-2	
3"				V3C-3		

	内螺纹球阀	单通球阀	内螺纹阀	三通T球阀	三通T球阀
	Miniature Ball Valves	Miniature Ball Valves	Full Port	L Port 3 Way Ball Valve	T Port 3 Way Ball Valve
型号 Model	T400	T400FM	T101L	T103L	T103T
材质 Material	Chrome-Plated Brass	Chrome-Plated Brass	Brass	Nickel Plated Brass	Nickel Plated Brass
接口 Port	F NPT	F x M NPT	F NPT	F NPT	F NPT
大小 Size 1/4"	T400-1/4	T400FM-1/4	T101L-1/4		
3/8"	T400-3/8	T400FM-3/8	T101-3/8		
1/2"	T400-1/2	T400FM-1/2	T101L-1/2	T101L-1/2	T101L-1/2
3/4"			T101L-3/4	T101L-3/4	T101L-3/4
1"			T101L-1		
1 1/4"			T101L-1 1/4		
1 1/2"			T101L-1 1/2		
2"			T101L-2		

气动阀规格

Air Actuated Valves | Specifications



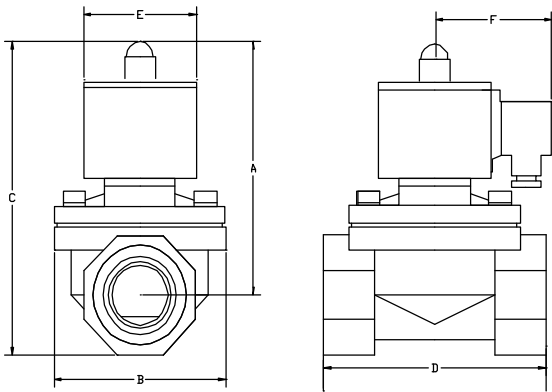
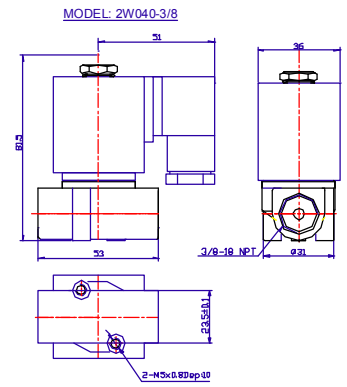
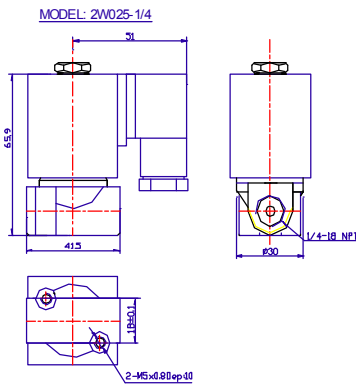
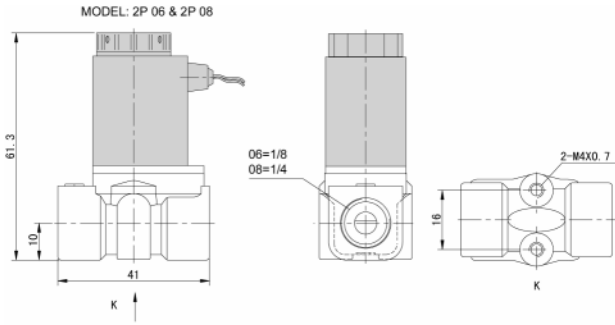
		Air Actuated Single Acting			Air Actuated Double Acting			
ROTARY PNEUMATIC BALL VALVE		口径尺寸 Port Size NPT	型号 Model	价格 Price	型号 Model	价格 Price		
 <p>气动球阀</p>	2/2 3 Piece Full Port Ball Valve 316 SS	1/2"	KS-1/2	\$230.00	KD-1/2	\$189.24	流体温度 Fluid Temperature: w/ PTFE seal, -10°C to 180°C VACUUM TO 1000 PSI 可并存的液体 Compatible Fluid: 水, 酒精, 油, 燃料, 液压流体, 盐, 碱, 有机溶剂, 蒸气 water, alcohol, oils, fuel, hydraulic fluids, salt solution, alkali solution, organic solvents, steam	
		3/4"	KS-3/4	\$330.00	KD-3/4	\$273.60		
		1"	KS-1	\$431.52	KD-1	\$358.00		
		1 1/4"	KS-1 1/4	\$498.52	KD-1 1/4	\$428.00		
		1 1/2"	KS-1 1/2	\$560.52	KD-1 1/2	\$498.00		
		2"	KS-2	\$681.60	KD-2	\$542.52		
		3"	KS-3	2044.80	KD-3	1627.56		
 <p>角座阀</p>	2/2 Angle Valve 304 SS	1/2	2KS - 1/2	\$153.95	2KD - 1/2	\$166.80	流体温度 Fluid Temperature: w/ PTFE seal, -10°C to 180°C VACUUM TO 230 PSI 可并存的液体 Compatible Fluid: 水, 酒精, 油, 燃料, 液压流体, 盐, 碱, 有机溶剂, 蒸气 water, alcohol, oils, fuel, hydraulic fluids, salt solution, alkali solution, organic solvents, steam	
		3/4	2KS - 3/4	\$171.05	2KD - 3/4	\$183.90		
		1	2KS - 1	\$210.40	2KD - 1	\$223.20		
		1 1/4	2KS - 1 1/4	\$299.35	2KD - 1 1/4	\$312.15		
		1 1/2	2KS - 1 1/2	\$316.40	2KD - 1 1/2	\$329.30		
		2	2KS - 2	\$436.20	2KD - 2	\$449.00		
		 <p>二位二通电磁阀</p>	2/2 Plunger Valve Brass	1/2	2QS-1/2	\$123.20		2QD-1/2
3/4	2QS-3/4			\$132.00	2QD-3/4	\$132.00	7.6	
1	2QS-1			\$162.00	2QD-1	\$162.00	12	
1 1/2	2QS-1 1/2			\$266.37	2QD-1 1/2	\$242.15	29	
2	2QS-2			\$332.97	2QD-2	\$302.70	48	

电磁阀规格 Solenoid Valve Specifications

阀门型号 Valve Model	2HS012-032	2H120-150	2HO120-150	2L	2LS	2MS	2MSO	2P025	2P035
阀门类型 Valve Type	2位 2Way	2位 2Way	2位 2Way	2位 2Way	2位 2Way	2位 2Way	2位 2Way	2位 2Way	3位 3Way
常闭 Normally Closed (NC)	常闭 NC	常闭 NC	常开 NO	常闭 NC	常闭 NC	常闭 NC	常开 NO	常闭 NC	常闭 NC
常开 Normally Open (NO)	直动式	膜片式	膜片式	直动活塞式	直动活塞式	活塞式	活塞式	直动式	直动式
操作压力 Operating Pressure	0 to 1000	5 to 1000	5 to 725	0 to 210	0 to 150	7 to 230	7 to 230	0 to 115	0 to 150
操作温度 Operating Temp (°C)	0 to 85°C	-10 to 150°C	-10 to 150°C	-20 to 180°C	-20 to 180°C	-20 to 180°C	-20 to 180°C	-5 to 80°C	-5 to 80°C
接口大小 Port Size (NPT)	1/8	3/8 to 1/2	3/8 to 1/2	3/8 to 2	3/8 to 2	3/8 to 2	3/8 to 2	1/8 to 1/4	1/8 to 1/4
主体材质 Body Materials	不锈钢	铜	铜	铜	不锈钢	不锈钢	不锈钢	塑料	塑料
油封材质 Seal Materials: NBR (Options: EPDM, Viton)	Teflon	Viton	Viton	PTFE	PTFE	PTFE	PTFE	NBR	NBR
绝缘性及防护等级 Coil Protection Insulation Class	H Class IP65	H Class IP65	H Class IP65	H Class IP65	H Class IP65	H Class IP65	H Class IP65	B Class IP65	B Class IP65
线圈功能 Coil Duty	100% ED	100% ED	100% ED	100% ED	100% ED	100% ED	100% ED	100% ED	100% ED
线圈功率 Coil Power	14W	9W, 17VA	9W, 17VA	35W	15W, 22VA	15W, 22VA	15W, 22VA	6.5W	6.5W
接电方式 Electrical Connections	Conduit	DIN	DIN	DIN	DIN	DIN	DIN	DIN	DIN
介质 Service	空气, 瓦斯, 液体 Air, Gas, Liquid			空气, 液体, 蒸气 Air, Liquid, Steam		空气, 液体, 蒸气 Air, Liquid, Steam		空气, 液体, 真空 Air, Liquid, Vacuum	

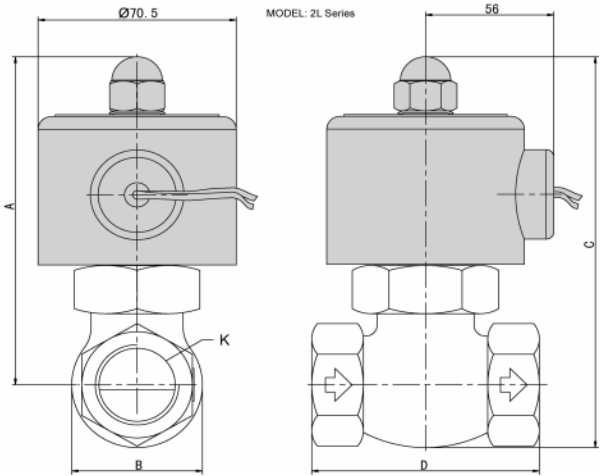
阀门型号 Valve Model	2S025-040	2S160-500	2SO160-500	2T	2V025	2V130-250	2W025-040	2W160-500	2WO160-500	3S	3W
阀门类型 Valve Type	2位 2Way	2位 2Way	2位 2Way	2位 2Way	2位 2Way	2位 2Way	2位 2Way	2位 2Way	2位 2Way	3位 3Way	3位 3Way
常闭 Normally Closed (NC)	常闭 NC	常闭 NC	常开 NO	常闭 NC	常闭 NC	常闭 NC	常闭 NC	常闭 NC	常开 NO	常闭 NC	常闭 NC
常开 Normally Open (NO)	直动式	直动膜片式	直动膜片式	直动膜片式	直动式	膜片式 Pilot	直动式	直动膜片式	直动膜片式	直动式	直动式
操作压力 Operating Pressure	0 to 150	0 to 150	0 to 150	0 to 22	0 to 115	4 to 115	0 to 150	0 to 150	0 to 150	0 to 150	0 to 150
操作温度 Operating Temp (°C)	-5 to 80°C	-5 to 80°C	-5 to 80°C	-20 to 80°C	-5 to 80°C	-5 to 80°C	-10 to 80°C	-10 to 80°C	-10 to 80°C	-10 to 80°C	-10 to 80°C
接口大小 Port Size (NPT)	1/4 to 3/8	3/8 to 2	3/8 to 2	1/4 to 1/2	1/8 to 1/4	3/8 to 1	1/4 to 3/8	3/8 to 2	3/8 to 2	1/8 to 1/4	1/8 to 1/4
主体材质 Body Materials	不锈钢	不锈钢	不锈钢	Teflon	铝	铜	铜	铜	铜	不锈钢	铜
油封材质 Seal Materials: NBR	NBR	NBR	NBR	Teflon	NBR	NBR	NBR	NBR	NBR	NBR	NBR
绝缘性及防护等级	H Class IP65	H Class IP65	H Class IP65	H Class IP65	B Class IP65	B Class IP65	H Class IP65	H Class IP65	H Class IP65	H Class IP65	H Class IP65
线圈功能 Coil Duty	100% ED	100% ED	100% ED	100% ED	100% ED	100% ED	100% ED	100% ED	100% ED	100% ED	100% ED
线圈功率 Coil Power	14-20W	20-35W	30W	20W	6.5W	6.5W	14 to 20W	20-35W	30W	14W	14W
接电方式	DIN	DIN	DIN	DIN	DIN	DIN	DIN	DIN	DIN	DIN	DIN
介质 Service	空气, 瓦斯, 液体, 真空			瓦斯, 液体	空气, 瓦斯, 液体, 真空						

电磁阀尺寸 Solenoid Valve Dimensions

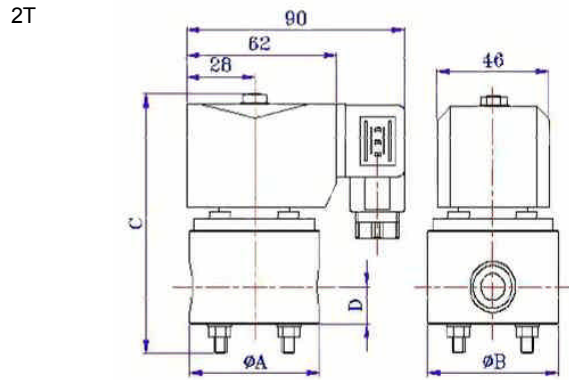


MODEL: 2W & 2S 160-500 SERIES VALVES
UNIT IN MM (NOT TO SCALE)

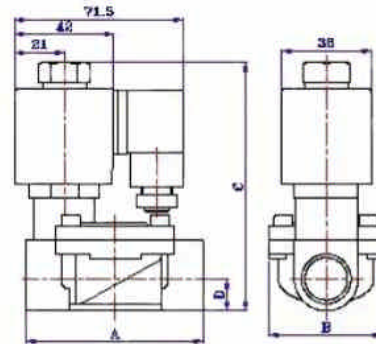
型号 Model: 2S & 2W Series (MM)		A	B	C	D	E	F
2S160-3/8	2W160-3/8	101.5	57	117	69	50	36
2S160-1/2	2W160-1/2	101.5	57	117	69	50	36
2S200-3/4	2W200-3/4	107.0	57	124	73	50	36
2S250-1	2W250-1	111.5	74	135	99	50	36
2S350-1 1/4	2W350-1 1/4	142.0	95	172	123	70.5	56
2S400-1 1/2	2W400-1 1/2	142.0	95	172	123	70.5	56
2S500-2	2W500-2	172.0	123	209	168	70.5	56



型号 Model: 2L Series (MM)					
	A	B	C	D	K
2L170-3/8	125	42	146	82	3/8
2L170-1/2	125	42	146	82	1/2
2L170-3/4	125	42	146	82	3/4
2L200-1	136	52	162	91	1
2L300-1 1/4	148	74	185	111	1 1/4
2L300-1 1/2	148	74	185	111	1 1/2
2L500-2	176	86	223	163	2



2MO/2MSO



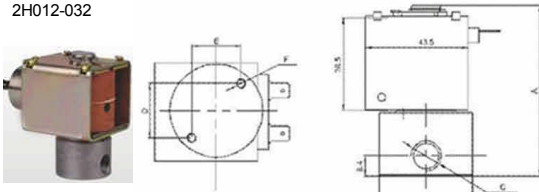
阀门大小 Valve Size	3/8	1/2	3/4	1	1 1/4	1 1/2	2
A	73	73	83	100	130	130	156
B	48	48	60	70	92	92	113
C	93	93	104	116	130	130	145
D	13.5	13.5	16.5	21	28.5	28.5	34

电磁阀尺寸 Solenoid Valve Dimensions

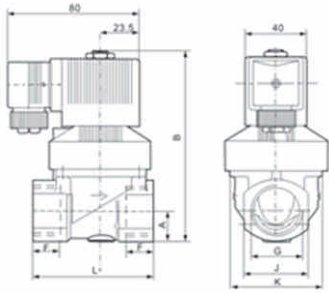


尺寸 Dimensions

2H012-032

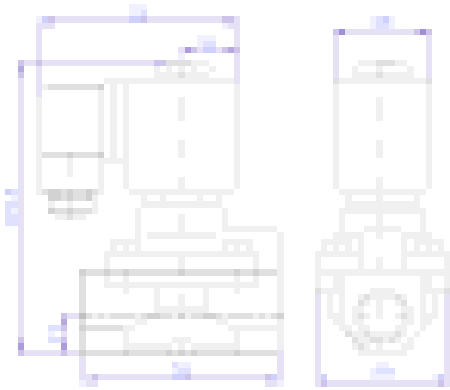


高性能，高气压，快反应，直动电磁阀，光滑不锈钢表面 High Performance, high pressure, fast response, direct acting solenoid valve, Stainless steel wetted surfaces.										
型号 MODEL	接口 PORT	孔径 ORIFICE	A	B	C	D	E	F	压力 Pressure	温度 Temperature
2H012	1/8"	1.2MM	65.5	30	1/8"	17	15.5	M4	1000 PSI	0-85°C
2H016	1/8"	1.6MM	65.5	30	1/8"	17	15.5	M4	500 PSI	0-85°C
2H016	1/4"	1.6MM	72	38	1/4"	23	21	M4	500 PSI	0-85°C
2H024	1/8"	2.4MM	65.5	30	1/8"	17	15.5	M4	300 PSI	0-85°C
2H024	1/4"	2.4MM	72	38	1/4"	23	21	M4	300 PSI	0-85°C
2H032	1/8"	3.2MM	65.5	30	1/8"	17	15.5	M4	150 PSI	0-85°C
2H032	1/4"	3.2MM	72	38	1/4"	23	21	M4	150 PSI	0-85°C

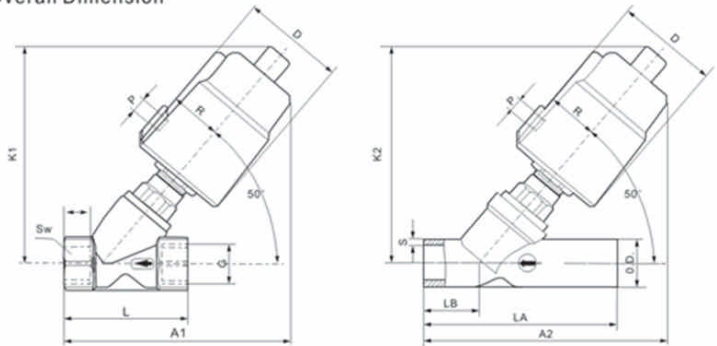


高压铜制电磁阀尺寸 High pressure brass solenoid valve Dimensions (mm)											
2H	2H	Port	Orifice	A	B	E	F	J	K	L	
2H080	2HO080	1/4"	8	16	97	24	12	40	34	65	
2H100	2HO100	3/8"	10	16	97	24	12	40	34	65	
2H160	2HO160	1/2"	13	16	97	24	12	40	34	65	
2H200	2HO200	3/4"	20	20	124	45	16	40	60	90	
2H250	2HO250	1"	25	20	124	58	18	40	70	116	

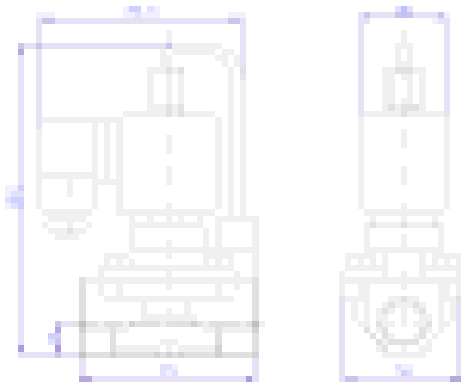
2H120-150



★ Overall Dimension



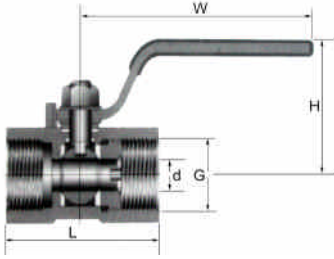
2H0120-150



Specification	Actuator (mm)	D	R	P	Thread					Welded							
					G	K1(mm)	A1(mm)	L(mm)	T(mm)	SW(mm)	OD(mm)	K2(mm)	A2(mm)	LA(mm)	LB(mm)	S(mm)	
DN10	40	45.5	27	G1/8"	G3/8"	115	120	68	12	26.6	-	-	-	-	-	-	-
DN10	50	60	35	G1/8"	G3/8"	126	133	68	12	26.6	-	-	-	-	-	-	-
DN15	40	45.5	27	G1/8"	G1/2"	115	120	68	15	26.6	21.3	115	128	110	30	2.65	
DN15	50	60	35	G1/8"	G1/2"	126	133	68	15	26.6	21.3	126	140	110	30	2.65	
DN20	50	60	35	G1/8"	G3/4"	131	137	75	16	32	26.9	131	136	108	30	3.45	
DN25	50	60	35	G1/8"	G1"	140	149	90	17	39.5	33.7	140	150	112	32	3.85	
DN25	63	77	43	G1/8"	G1"	165	174	90	17	39.5	33.7	165	175	112	32	3.85	
DN32	63	77	43	G1/8"	G1-1/4"	175	188	116	21	50	38	175	193	136	40	3.35	
DN32	80	98	52	G1/4"	G1-1/4"	185	203	116	21	50	38	185	206	136	40	3.35	
DN32	100	121	63	G1/4"	G1-1/4"	205	215	116	21	50	38	205	218	136	40	3.35	
DN40	63	77	43	G1/8"	G1-1/2"	178	190	116	21	55.3	42	178	193	146	40	3.2	
DN40	80	98	52	G1/4"	G1-1/2"	187	204	116	21	55.3	42	187	207	146	40	3.2	
DN40	100	121	63	G1/4"	G1-1/2"	208	216	116	21	55.3	42	208	219	146	40	3.2	
DN50	63	77	43	G1/8"	G2"	184	203	138	22	70	54	184	206	160	45	2.7	
DN50	80	98	52	G1/4"	G2"	195	218	138	22	70	54	195	220	160	45	2.7	
DN50	100	121	63	G1/4"	G2"	215	230	138	22	70	54	215	232	160	45	2.7	



一片式球阀



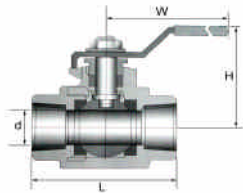
型号 Model: V1 规格 Specifications	
一片减径316不锈钢球阀	One Piece Reduced Port 316 Stainless Steel Ball Valve
最大耐压值	Maximum Operating Pressure: 1000 PSIG @ 100°F WOG*
操作温度范围	Operating Temperature Range: -60 to 450°F*
结束连接	End Connections: NPT Threaded with Padlocking device

尺寸 Dimensions (mm)					
大小 SIZE	d	L	H	W	Wt (kg)
1/4"	5	39	35	64	0.07
3/8"	7	44	37	70	0.1
1/2"	9.2	56.5	43.5	90	0.16
3/4"	12.5	58	47	90	0.25
1"	15	70	50	103	0.43
1 1/4"	20	78	57	103	0.7
1 1/2"	24.5	83	69	127	0.83
2"	32	100	74.5	127	1.5

主要部分和材料 Main Parts and Materials			
型号No	部件名称 Part Name	材质 Material	Qty
1	SEAT	PTFE	2
2	BALL	SS316	1
3	JOINT GASKET	PTFE	1
4	CAP	SS316	1
5	BODY	SS316/CF8M	1
6	STEM	SS316	1
7	THRUST WASHER	PTFE	1
8	STEM PACKING	PTFE	1
9	GLAND NUT	SS304	1
10	STEM WASHER	SS304	1
11	STEM NUT	SS304	1
12	HANDLE COVER	PLASTIC	1
13	HANDLE	SS304	1



二片式球阀



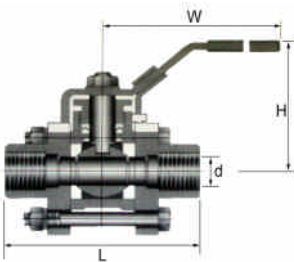
型号 Model: V2 规格 Specifications	
二片全径316不锈钢球阀	Two Piece Full Port 316 Stainless Steel Ball Valve
最大耐压值	Maximum Operating Pressure: 1/4" to 2" 1000 PSIG @ 100°F WOG* 2 1/2" to 3" 800 PSIG @ 100°F WOG*
温度范围	Temperature Range: -60 to 450°F*
结束连接	End Connections: NPT Threaded with Padlocking & Panel Mount Device

尺寸 Dimensions (mm)										
大小 SIZE	1/4"	3/8"	1/2"	3/4"	1"	1 1/4"	1 1/2"	2"	2 1/2"	3"
d	11.6	12.7	15	20	25.4	32	38	50.8	65	76
L	55	55	63.5	75	88	103	110	124	167	192
H	48	48	50	57	69	73	83	92	136	149
W	103	103	103	125	145	145	190	190	250	250

主要部分和材料 Main Parts and Materials			
型号No	部件名称 Part Name	材质 Material	Qty
1	SEAT	PTFE	2
2	BALL	SS316	1
3	JOINT GASKET	PTFE	1
4	CAP	SS316	1
5	BODY	SS316/CF8M	1
6	STEM	SS316	1
7	THRUST WASHER	PTFE	1
8	STEM PACKING	PTFE	1
9	GLAND NUT	SS304	1
10	STEM WASHER	SS304	1
11	STEM NUT	SS304	1
12	HANDLE COVER	PLASTIC	1
13	HANDLE	SS304	1



三片式球阀



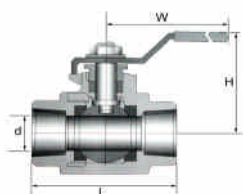
型号 Model: V3 规格 Specifications	
最大耐压值	Maximum Operating Pressure: 1/2" to 2" 1000 PSI @ 100°F WOG* 2 1/2" to 3" 800 PSI @ 100°F WOG*
温度范围	Temperature Range: -60 to 450°F*
满径	Full Port
结束连接	End Connections: FNPT
Mounting Options:	Padlocking device and actuator mounting bracket

尺寸 Dimensions (mm)												
大小 SIZE	1/4"	3/8"	1/2"	3/4"	1"	1 1/4"	1 1/2"	2"	2 1/2"	3"	4"	
d	mm	12.5	12.5	15	20	25	30	38	50	64	80	98
d	in	0.49	0.49	0.59	0.79	0.98	1.18	1.5	1.97	2.52	3.15	3.86
H	mm	57	57	68	76	80	84	93	100	142	155	172
H	in	2.24	2.24	2.68	2.76	3.15	3.31	3.66	3.94	5.59	6.1	6.77
W	mm	96	96	124	124	142	142	202	202	250	250	300
W	in	3.78	3.78	4.88	4.88	5.99	5.99	7.95	7.95	9.84	9.84	11.81
L	mm	68	68	72	83	90	112	120	147	174	193	216
L	in	2.56	2.56	2.84	3.35	3.62	4.33	4.48	5.59	6.85	7.6	8.5

主要部分和材料 Main Parts and Materials			
型号No	部件名称 Part Name	材质 Material	Qty
1	SEAT	PTFE	2
2	BALL	SS316	1
3	JOINT GASKET	PTFE	1
4	CAP	SS316	1
5	BODY, BODY CONNECTOR	SS316/CF8M	1, 2
6	STEM	SS316	1
7	THRUST WASHER	PTFE	1
8	STEM PACKING	PTFE	1
9	GLAND NUT	SS304	1
10	STEM WASHER	SS304	1
11	STEM NUT	SS304	1
12	HANDLE COVER	PLASTIC	1
13	HANDLE	SS304	1
14	BODY CONNECTOR BOLT	SS304	4
15	BODY CONNECTOR NUT & WASHER	SS304	4



内螺纹阀



型号 Model: T101 规格 Specifications	
最大耐压值	Maximum Operating Pressure: 600 PSI, Gas & LPG 250 PSI
温度范围	Temperature Range: -30 to 120 °C*
接口	Port: Full Port
结束连接	End Connections: FNPT
介质	Service: Water, Oil, Gas,
Certification	UL Listed

尺寸 Dimensions (mm)										
大小 SIZE	1/4"	3/8"	1/2"	3/4"	1"	1 1/4"	1 1/2"	2"	2 1/2"	3"
d	11.6	12.7	15	20	25.4	32	38	50.8	65	76
L					88	86	95			
H					69	77	85			
W					145	138	137			

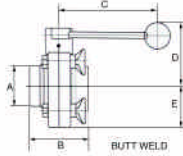
主要部分和材料 Main Parts and Materials			
型号No	部件名称 Part Name	材料 Material	Qty
1	SEAT	PTFE	2
2	BALL	铬制的铜 Chrome Plated Brass	1
3	JOINT GASKET	PTFE	1
4	BODY	铜 Brass	1
5	STEM	铜 Brass	1
6	THRUST WASHER	铜 Brass	1
7	STEM PACKING	PTFE	1
8	STEM NUT	铜 Brass	1
9	HANDLE COVER	塑料 PLASTIC	1
10	HANDLE	钢 Plated Steel	1

阀门技术上的数据

Valve Technical Data



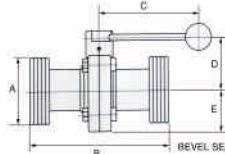
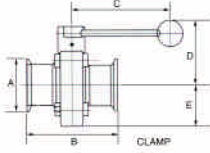
蝶阀



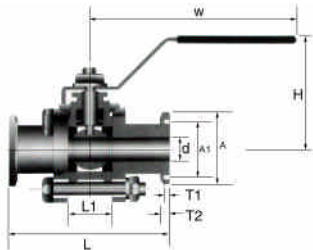
型号 Model: VBS01 规格 Specifications	
大小 Size:	1/2" to 4"
满径 Full Port	
连接方式 Connection Options:	Butt weld, Clamp, or Male Thread, Female Ends (RJT, IDF, DIN, SMS)
操作压力 Operating Pressure:	-13 PSIG to 150 PSIG WOG*
温度范围 Temperature Range:	-10°C to 150°C with Silicone, or Viton*
圆盘头大小 Disc Head Size:	9.4 mm (to fit actuator)
操作选项 Operator Options:	Lever, Actuators
材质 Body Material Options:	316SS, or 316L SS
手柄 Handle:	304 SS/塑料 Plastic
Seat Options:	矽树脂, EPDM 或耐高温 Silicone, EPDM or Viton

尺寸 Dimensions (mm)						
A	B	B	B	C	D	E
大小 Size	焊接处 Weld	螺纹 Clamp	斜度 Bevel			
1"	47.63	88.9	122.24	100	74	39
1 1/2"	47.63	88.9	134.94	110	47	39
2"	52.39	95.25	163.51	110	83.5	49.5
2 1/2"	53.98	96.84	174.63	110	93	58.5
3"	61.91	104.78	196.26	159	98	66
4"	79.38	122.24	228.6	159	118	84.5

主要部分和材料 Main Parts and Materials		
型号 No	部件名称 Part Name	材质 Material
1	主体 BODY	SS316 or SS316L
2	弹簧垫片 STEM WASHER	SS304
3	螺帽 STEM NUT	SS304
4	手柄 HANDLE	304 SS/Plastic
5	密封圈 GASKET	Silicone, EPDM, or Viton
6	主体连接螺丝 BODY CONNECTOR BOLT	SS304
7	主体螺帽和垫片 BODY CONNECTOR NUT & WASHER	SS304
8	蝶阀 BUTTERFLY	SS316/SS316L



三片卡箍球阀



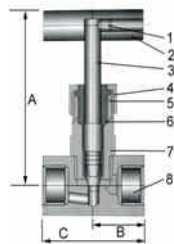
型号 Model: V3C 规格 Specifications	
我们采用精密的设备做出来的特氟隆卷底座,能达到清洁的要求。产品的设计是由4螺丝连接的,能达到快速的安装和维修。 Sanitary Stainless Steel Ball Valve: These valves are made with precision machined Teflon seat for use in Sanitary applications. They are three piece design and have four bolts that permit quick and easy access to service the valve without disrupting the pipe line connections.	
最大耐压值 Maximum Operating Pressure:	1/2" to 2" 1000 PSI @ 100°F WOG* 2 1/2" to 4" 800 PSI @ 100°F WOG*
温度范围 Temperature Range:	-60 to 450°F*
满径 Full Port	
结束连接 End Connections:	Clamp End
Mounting Options:	Padlocking device and actuator mounting bracket

尺寸 Dimensions (mm)									
大小 Size	接口 Port (d)	L	A	A1	H	T1	T2	W	
1/2"	9.6	75	25	20.24	64	--	3.63	125	
3/4"	15.9	90	25	20.24	67	--	3.63	125	
1"	22.2	100	50.4	43.6	83	2.85	4.75	140	
1 1/4"	28.5	110	50.4	43.6	89	2.85	4.75	140	
1 1/2"	34.9	125	50.4	43.6	100	2.85	--	200	
2"	47.5	150	63.9	56.3	108	2.85	--	200	
2 1/2"	60.2	190	77.4	70.6	150	2.85	--	250	
3"	72.9	220	90	83.3	161	2.85	--	250	
4"	97.4	270	118.9	110.3	180	2.85	--	250	

主要部分和材料 Main Parts and Materials			
型号 No	部件名称 Part Name	材质 Material	Qty
1	SEAT	PTFE	2
2	BALL	SS316	1
3	JOINT GASKET	PTFE	1
4	CAP	SS316	1
5	BODY, BODY CONNECTOR	SS316/CF8M	1, 2
6	STEM	SS316	1
7	THRUST WASHER	PTFE	1
8	STEM PACKING	PTFE	1
9	GLAND NUT	SS304	1
10	STEM WASHER	SS304	1
11	STEM NUT	SS304	1
12	HANDLE COVER	PLASTIC	1
13	HANDLE	SS304	1
14	CONNECTOR BOLT	SS304	4
15	CONNECTOR NUT & WASHER	SS304	4



针型球阀

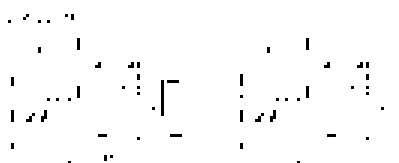


型号 Model: VN01 规格 Specifications						
结束连接 End Connections:	NPT threaded ASME b1.20.1 DIN 2999 & BS21; ISO 228/1 & ISO 7/1					
最大耐压值 Max. Operating Pressure:	6000 PSIG @ 100 °F*					
温度范围 Operating Temperature Range:	-60 to 450°F*					
Fire safe design						
尺寸 Dimensions (mm)						
大小 Size	1/8"	1/4"	3/8"	1/2"	3/4"	1"
A	75	75	75	87	90	103
B	25	25	25	30	32.5	40
C	50	50	50	60	65	80
Cv	0.43	0.43	0.74	1.36	2.64	3.6

主要部分和材料 Main Parts and Materials		
型号 No	部位名称 Part Name	材质 Material
1	SET SCREW	SS304
2	HANDLE	SS410
3	STEM	SS316
4	GLAND NUT	SS304
5	GLAND	SS304
6	PACKING	TEFLON
7	BONNET	SS316/CF8M
8	BODY	SS316/CF8M



内螺纹球阀



阀门规格 Valve Specifications		
阀门类型 Valve Type	T400	T400FM
操作压力 Operating Pressure	0-450 PSI @ 75 °F	
操作温度 Operating Temperature	0 TO 200 Deg. F	
球 Ball	镀铬的铜 Chrome Plated Brass	
材质 Body Materials	镀铬或镍 Chrome or Nickel Plated Brass	
油封材质 Seal Materials	PTFE	
手柄 Handal	金属或塑料 Metal or Plastic	
介质 Service	空气, 液体 Air, Liquid	

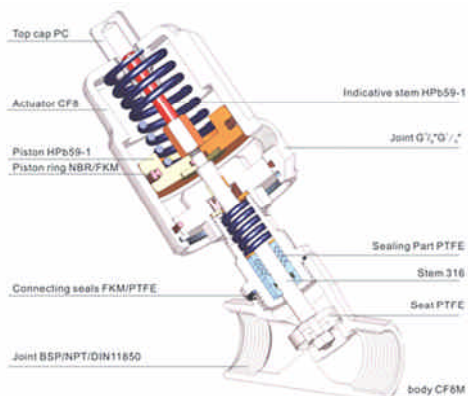
	A	B (BORE)	H	L	P (NPT)	R
T400 1/4	0.80	0.31	1.00	1.58	1/4	0.93
T400 3/8	0.80	0.31	1.00	1.58	3/8	0.93
T400 1/2	0.96	0.39	1.10	1.78	1/2	0.93
T400FM 1/4	0.80	0.31	1.00	1.58	1/4	0.93
T400FM 3/8	0.80	0.31	1.00	1.58	3/8	0.93
T400FM 1/2	0.96	0.39	1.10	1.78	1/2	0.93

电磁阀的内在成分

Solenoid Valves Internal Components

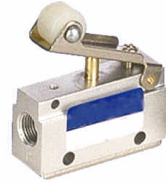
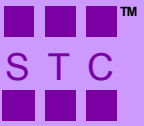
2C: Brass 2 Way NC Latching SV		2D: Aluminum 2 Way NC Pilot Diaphragm		2H/2HO120-130: Brass 2 Way NC/NO Pilot Diaphragm	
2L: Brass 2 Way NC Direct Lift Piston		2LS: Stainless Steel 2 Way NC Direct Lift Piston		2H: Stainless 2P: Plastic 2V: Aluminum 2S/25-040: SS 2W/25-040: Brass 2 Way NC Direct Acting	
2MS: Stainless Steel 2 Way NC Pilot Piston		2MSO: Stainless Steel 2 Way NO Pilot Piston		2T: Teflon 2 Way NC Direct Lift Diaphragm	
2V130: Brass 2 Way NC Pilot Diaphragm		2W/2WO160-500: Brass 2S/2SO160-500: SS 2 Way NC Direct Lift Diaphragm		3W: Brass 3 Way NC Direct Acting	
阀门成分 Valve Components	材料 Materials	油封建议 Seals Options	温度范围/兼容性 Temperature Range/Compatibility		
阀体 Body	建议: 铝, 铜, 塑料, 不锈钢 Options: Aluminum, Brass, Plastic, Stainless Steel, Teflon	NBR	-10~90°C, Oil-resistant and petroleum-resistant, not good for oxygen		
甲胄管 Armature Tube	不锈钢 Stainless Steel 304	EPDM	-30~130°C, Withstand ozone, resistant to corrosive chemical materials, not suitable for oil		
活塞 Plunger	不锈钢 Stainless Steel 430F	PTFE	-20~200°C, Resistant to most chemicals, except compound with oxygen		
顶部 Head	不锈钢 Stainless Steel 430F	VITON	-10~150°C, Resistant to most chemicals		
弹簧 Springs	不锈钢 Stainless Steel 304				
底纹吊环 Shading Rings	不锈钢 Stainless Steel 304 / 铜 Brass				

2KS/2KD



型号 Model: 2KS/2KD		不锈钢 Stainless steel body
1	Transparent Cap	PC/PSU
2	Pilot air ports	不锈钢 Stainless Steel 1.4305
3	Actuator	PAB66
4	Cylindrical seal	NBR/FPM
5	Spring	不锈钢 Stainless Steel 1.4310
6	Tube	不锈钢 Stainless Steel 1.4301
7	V-seals	PTFE, FPM
8	Wiper	PTFE
9	Nipple	不锈钢 Stainless Steel 1.4401
10	Spindle	不锈钢 Stainless Steel 1.4401
11	Pins	不锈钢 Stainless Steel 1.4401
12	Swivel plate	不锈钢 Stainless Steel 1.4401
13	Seal	PTFE
14	Valve body	不锈钢 Stainless steel 1.4408 (Threaded connection)
		不锈钢 Stainless steel 1.4581 (weld end connection)

手动阀、气阀 Manual Air Valves



精密的制作

Precision Engineered

优良的品质
Fine Quality

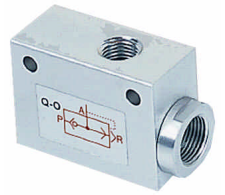


Advanced Design

先进的设计

Excellent Prices

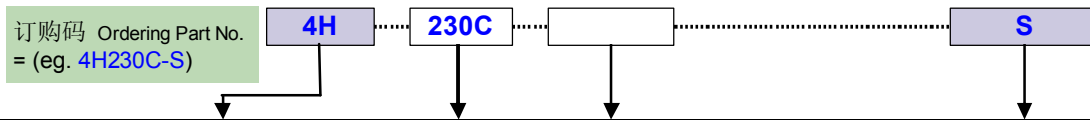
称心的价格



目录 Contents

STC手控阀、气阀数字系统 Manual Air Valve Numbering System.....	E2
STC 手控阀、气阀规格 Manual Air Valve Specifications.....	E2
STC 手控阀、气阀价格表 Manual Air Valves List Price.....	E3
STC 手控阀、气阀尺寸 Manual Air Valve Dimensions.....	E4-8

STC 手控阀、气阀数字系统 Manual Air Valve Numbering System



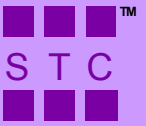
型号 Model	# Way & # Position	接口尺寸 PORT SIZE (NPT)	选项 Options	
手控阀、气阀 Manual Air Valves	MOV 3 Way 2 Position	Blank = 1/8	Blank = Plunger (Non-Detented), E = Palm Button (Detented), PB=Palm Button (Non-Detented), PPL = Push Button (Non-Detented), R = Roller Lever (Non-Detented), TB = Knob Switch (Detented), Color: B=Blue, G=Green, K=Black, R=Red, Y=Yellow M = DETENTED S = NON-DETENTED (Spring Return)	
手控阀、气阀 Manual Air Valves	MSV 96322 = 3 Way 2 Position 86522 = 4 Way 2 Position	Blank = 1/4		
手柄阀 Hand Lever Valves	TSV			
手柄阀 Hand Lever Valves	4H 230C = 4 Way 3 Position (Closed Center) 230E = 4 Way 3 Position (Exhaust Center) 230P = 4 Way 3 Position (Pressure Center)			
	推/拉阀门 Pull/Push Valves			3R 210 = 3 Way 2 Position
				4R 210 = 4 Way 2 Position
手柄阀 Hand Handle Valves	HV 400 = 4 Way 3 Position 410 = 4 Way 2 Position			Blank = Detented
	脚阀 Foot Operated Valves			FV 220= 2 Way 2 Position 320= 3 Way 2 Position 420= 4 Way 2 Position
4F 210= 4 Way 2 Position				Blank = Non-Detented, L = Detented (with lock), G = Guard

STC 气阀规格 Air Valve Specifications

规格 Specifications								
型号 Model	MSV Series	MOV Series	TSV Series	4H Series	3-4R Series	HV Series	4F Series	FV Series
说明 Description	Hand Valves	Hand Valves	Lever Valves	Lever Valves	Pull/Push	Hand Valves	Foot Valves	Foot Valves
Cv	0.89	0.67	1.0	0.89	0.89	1.68		
操作压力 Operating Pressure	0 to 150 PSI							
操作温度 Operating Temp.	23 to 140 Deg. F (-5 to 60 Deg. C)							
动作方式 Action	Direct Acting							
工作介质 Working Medium	40微米过滤空气或惰性气体 40 micron filtered air or inert gas							
部件材质 Body Material	铝 Aluminum							
油封材质 Seal Material	NBR							
润滑性 Lubrication	不需要 Not Required							

规格 Specifications			
型号 Model	ASC Series	QE Series	ST Series
说明 Description	流量控制阀 Flow Control Valves	快速排气阀 Quick Exhaust Valves	梭阀 Shuttle Valves
操作压力 Operating Pressure	0 to 140 PSI		
操作温度 Operating Temp.	32 to 140 Deg. F (0 to 60 Deg. C)		
工作介质 Working Medium	40微米过滤空气或惰性气体 40 micron filtered air or inert gas		
部件材质 Body Material	铝 Aluminum		
油封材质 Seal Material	NBR		
润滑性 Lubrication	不需要 Not Required		

手控阀、气阀 Manual Air Valves

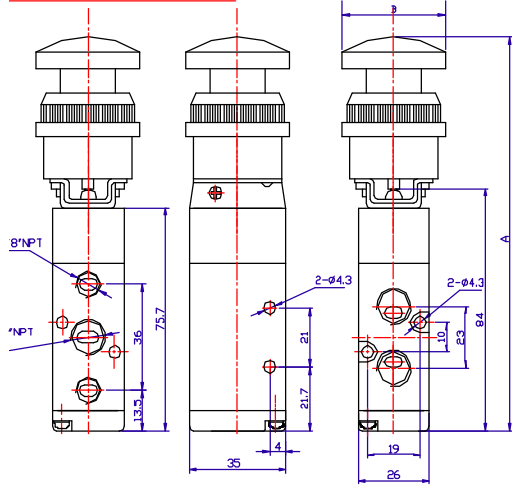


1/4" NPT 4 Way 5 Port 2 Position Air Valves								
价格 Model Price	机控阀 MSV86522TB \$28.71	手控阀 MSV86522EB \$28.71	手控阀 MSV86522PB \$28.71	手控阀 MSV86522PP \$28.71	机控阀 MSV86522R \$28.71	手控阀MPV86522 \$37.23	手控阀 TSV86522 (M or S) \$30.25	手控阀 4R210(M or S) \$20.30
说明 Description	Two Position Detented Switch Cv 0.89	Emergency Stop Detented Cv 0.89	Palm Button Momentary Cv 0.89	Push Button Momentary Cv 0.89	Roller Lever Cv 0.89	Toggle Switch Cv 0.89	Lever M = Detented S = Non-detented	Pull/Push M = Detented S = Non-detented
1/4" NPT 3 Way 3 Port 2 Position Air Valves								
价格 Model Price	机控阀 MSV98322TB \$27.23	手控阀 MSV98322EB \$27.23	手控阀 MSV98322PB \$27.23	手控阀 MSV98322PP \$27.23	机控阀 MSV98322R \$27.23	手控阀MPV98322 \$37.23	手控阀 TSV98322 (M or S) \$28.71	手控阀 3R210(M or S) \$19.80
说明 Description	Two Position Switch Cv 0.89	Emergency Stop Detented Cv 0.89	Palm Button Momentary Cv 0.89	Push Button Momentary Cv 0.89	Roller Lever Momentary Cv 0.89	Toggle Switch Cv 0.89	Lever M = Detented S = Non-detented	Pull/Push M = Detented S = Non-detented
1/8" NPT 3 Way 2 Port 2 Position Air Valves					1/4" NPT Mechanical Air Valves			
价格 Model Price	机控阀 MOV-01 \$17.33	手控阀 MOV-03 \$17.33	手控阀 MOV-03A \$17.33	机控阀 MOV-02 \$15.84	模型价格 Model Price		手控阀 4H230C (M or S) \$56.94	手控阀 4H230P (M or S) \$56.94
说明 Description	Two Position Switch Cv 0.67	Emergency Stop Detented Cv 0.67	Push Button Momentary Cv 0.67	Roller Lever Momentary Cv 0.67	Description		3 Position, 4 Way Closed Center M = Detented S = Non-detented	3 Position, 4 Way Pressure Center M = Detented S = Non-detented
1/4" NPT Air Valves								
价格 Model Price	手控阀 HV410 \$31.19	手控阀 HV400 \$31.19		脚踏阀 FV320 \$33.17	脚踏阀 FV420 \$33.17	脚踏阀 4F210 \$40.10	脚踏阀 4F210L \$51.48	脚踏阀 4F210G \$62.87
说明 Description	2 Position 4 Way Valve Cv 1.68	3 Position 4 Way Valve Closed Center Cv 1.68		3 Way Momentary Foot Valve	4 Way Momentary Foot Valve	4 Way Momentary Foot Valve	4 Way Detented Foot Valve	4 Way Shielded Momentary Foot Valve

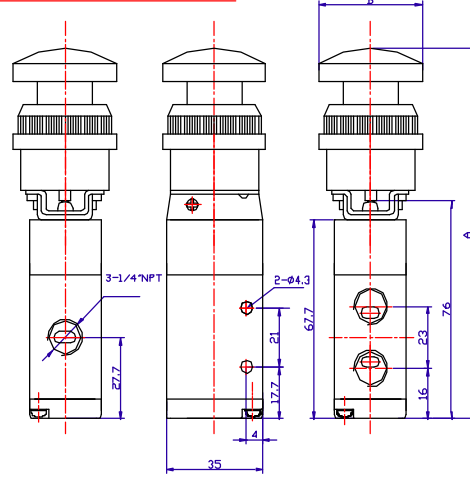
气阀尺寸

Air Valve Dimensions

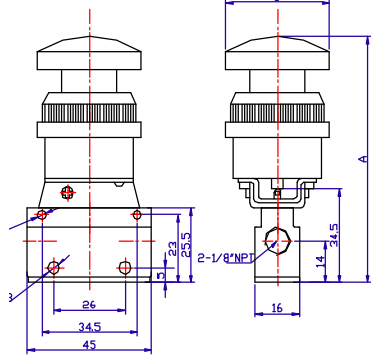
MODEL: MSV86522-XX



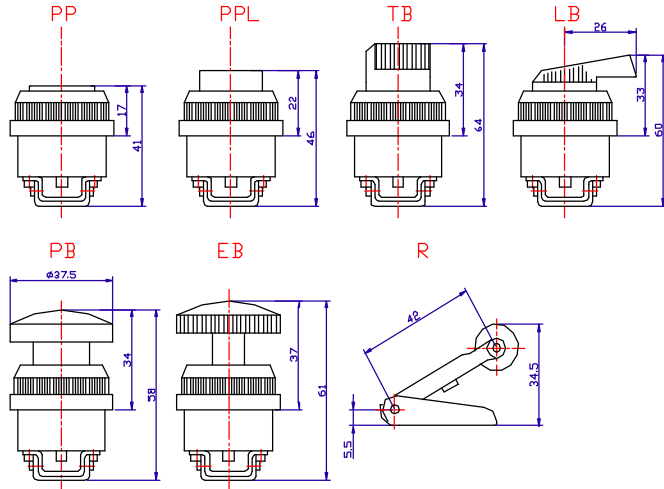
MODEL: MSV98322-XX



MODEL: MOV-XX

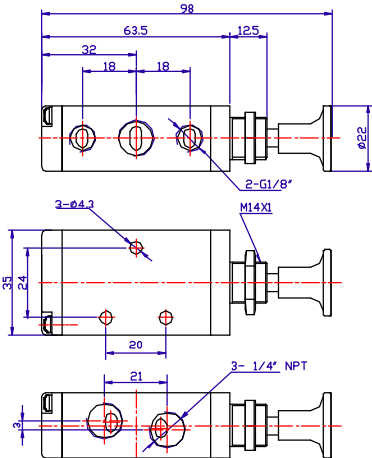


BUTTON STYLE

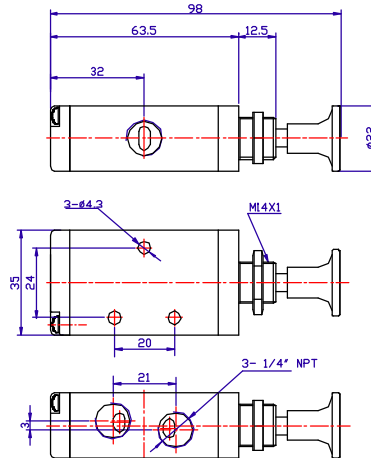


PANEL MOUNT HOLE SIZE 1 3/16" (30 MM)

4R210 Unit in mm



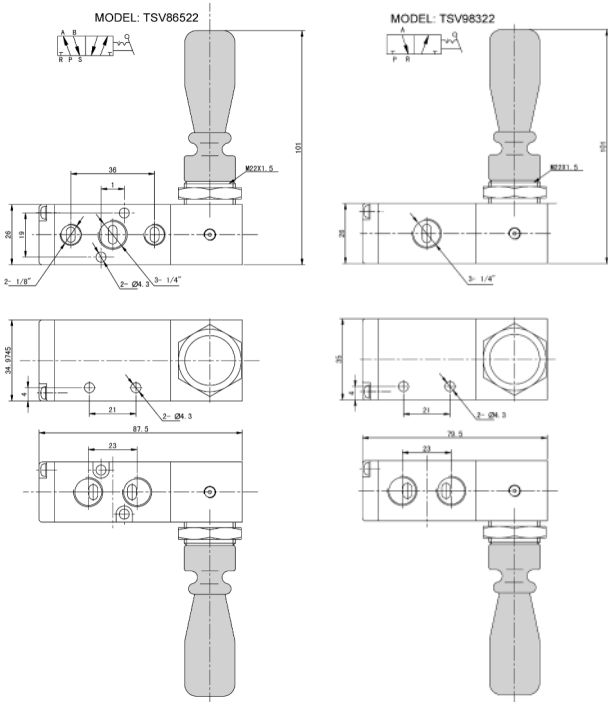
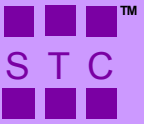
3R210



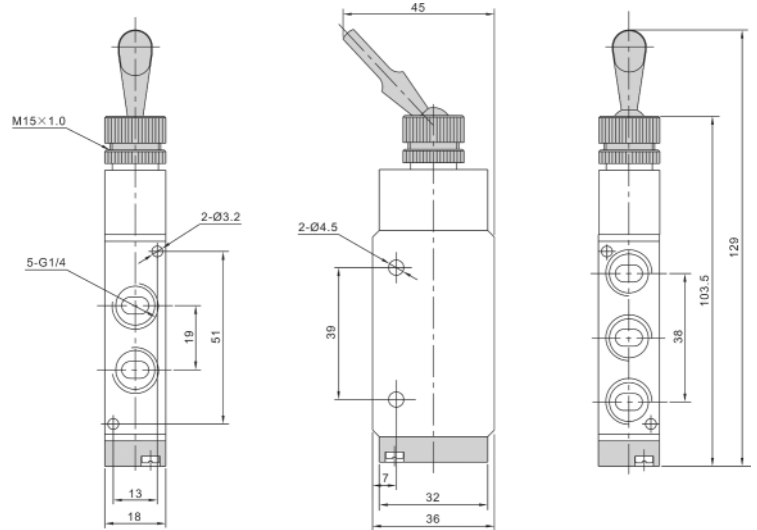
Unit in (mm)

气阀尺寸

Air Valve Dimensions

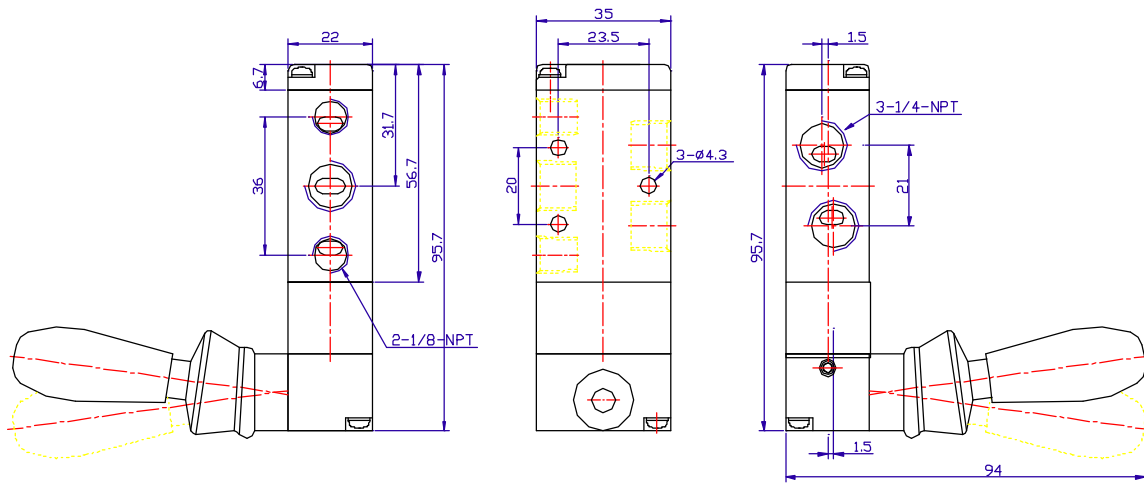
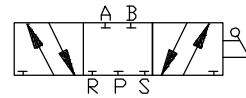


MPV



MODEL: 4H230C-1/4

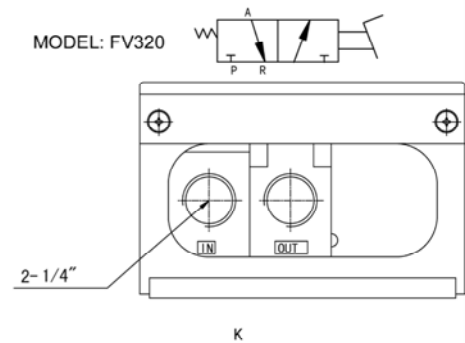
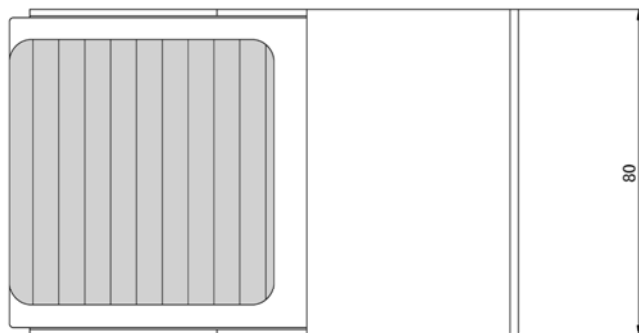
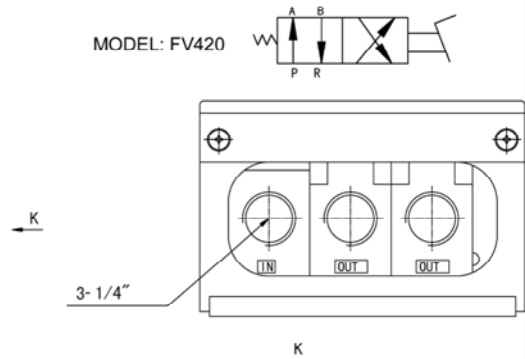
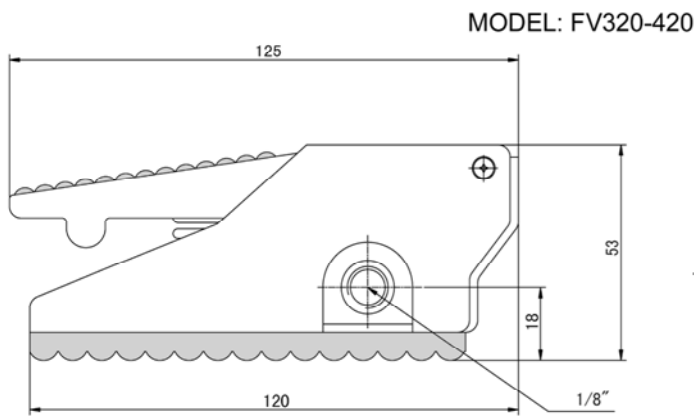
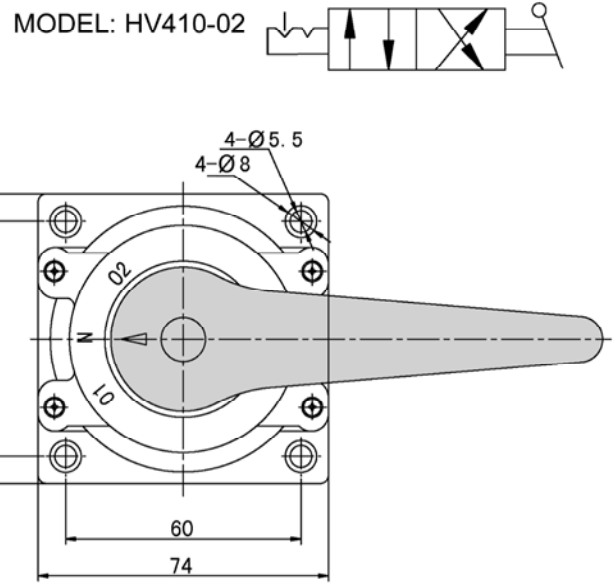
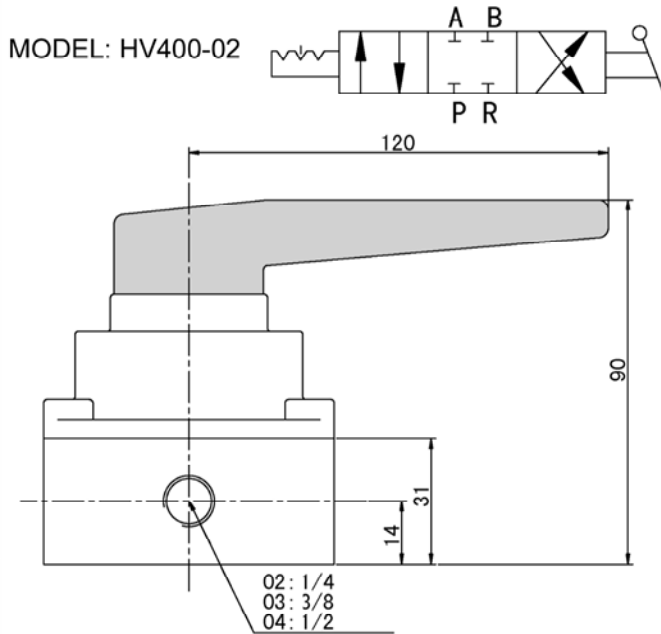
5 PORT 3 POSITION MOMENTARY HAND LEVER VALVE



Unit in (mm)

气阀尺寸

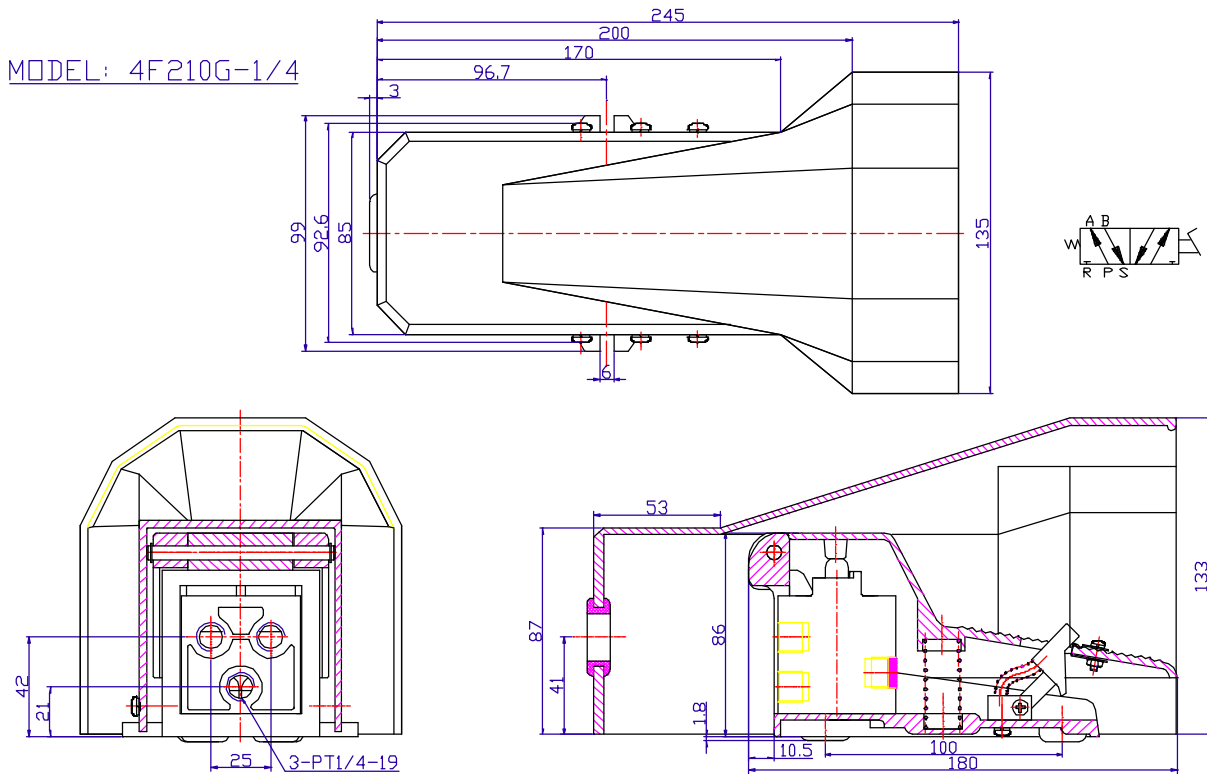
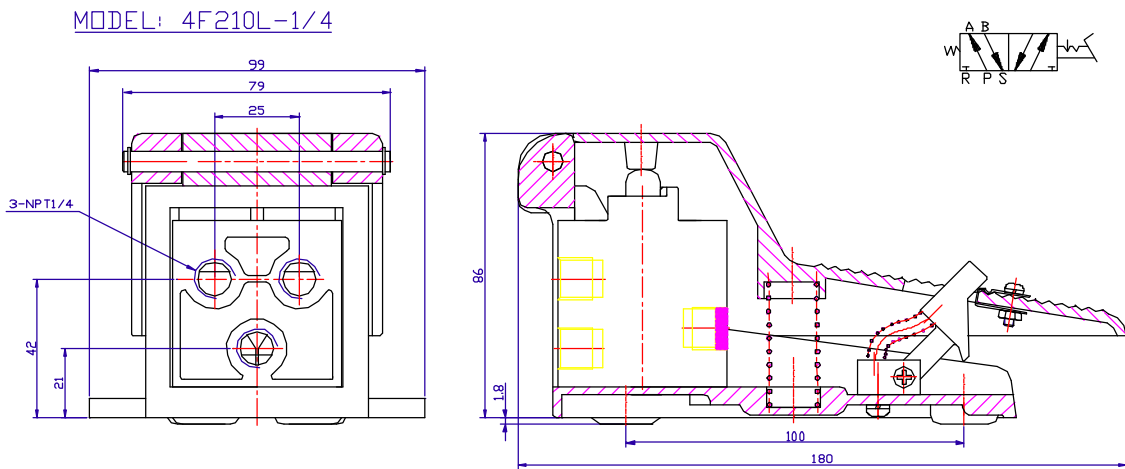
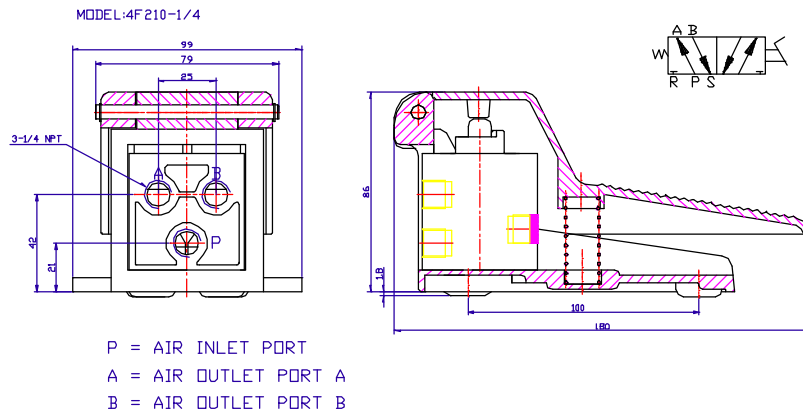
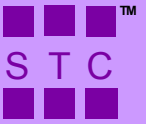
Air Valve Dimensions



Unit in (mm)

气阀尺寸

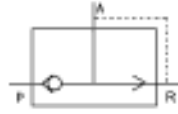
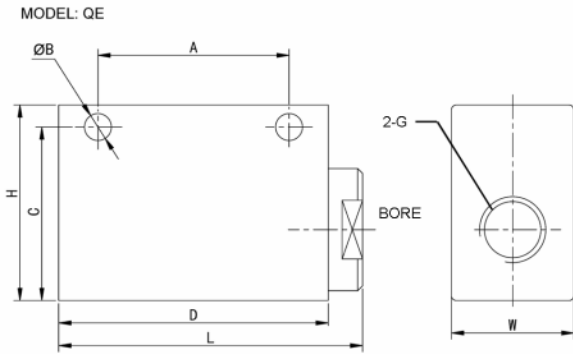
Air Valve Dimensions



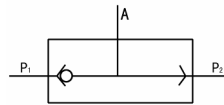
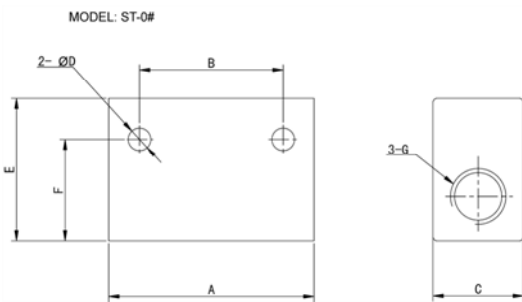
Unit in (mm)

气阀尺寸

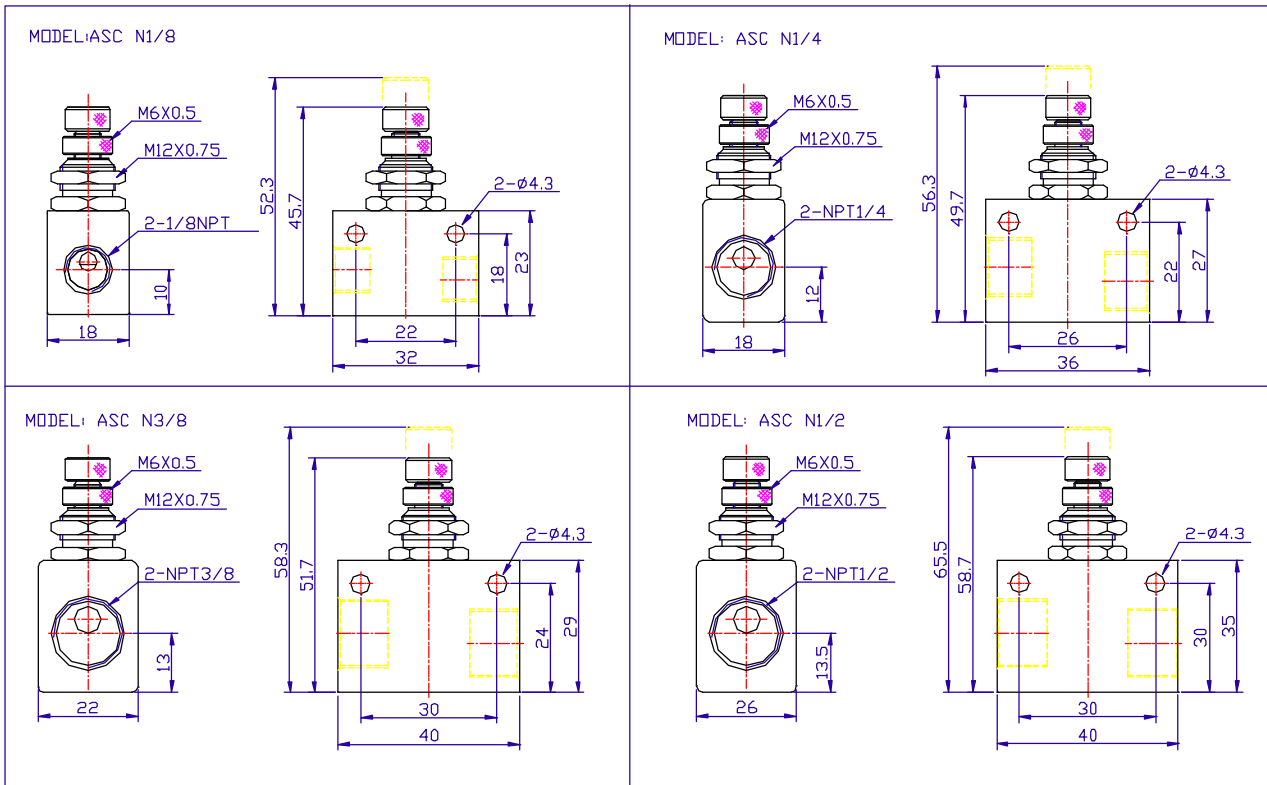
Air Valve Dimensions



快速排气阀 Quick Exhaust Valve (MM)									
	Bore (NPT)	G (NPT)	L	W	H	A	B	C	D
QE-01	1/4	1/8	46	20	32	30	4.3	27.0	40
QE-02	3/8	1/4	62	25	40	39	5.6	33.5	55
QE-03	1/2	3/8	62	25	40	39	5.6	33.5	55
QE-04	3/4	1/2	98	38	64	60	8.5	51.0	90
QE-06	1	3/4	98	38	64	60	8.5	51.0	90



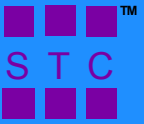
梭阀 SHUTTLE VALVE (MM)							
	A	B	C	D	E	F	G (NPT)
ST-01	40	24	16	4.5	25	21	1/8
ST-02	50	35	22	5.5	35	25	1/4
ST-03	75	48	30	7.0	50	42	3/8
ST-04	75	48	30	7.0	50	42	1/2
ST-06	110	72	40	7.0	70	58	3/4
ST-08	110	72	40	7.0	70	58	1



Unit in (mm)

气缸

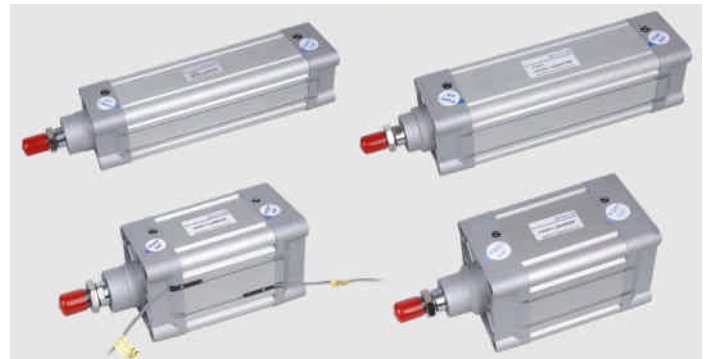
STC Air Cylinders



铝合金圆气缸



不锈钢圆气缸



标准气缸



气缸

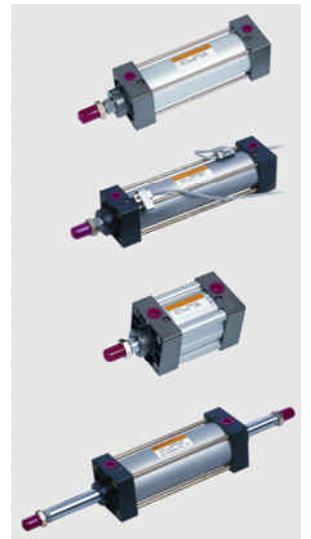
优良的品质
Fine Quality

精密的制作
Precision Engineered

STC™

先进的设计
Advanced Design

称心的价格
Excellent Prices



连接杆气缸

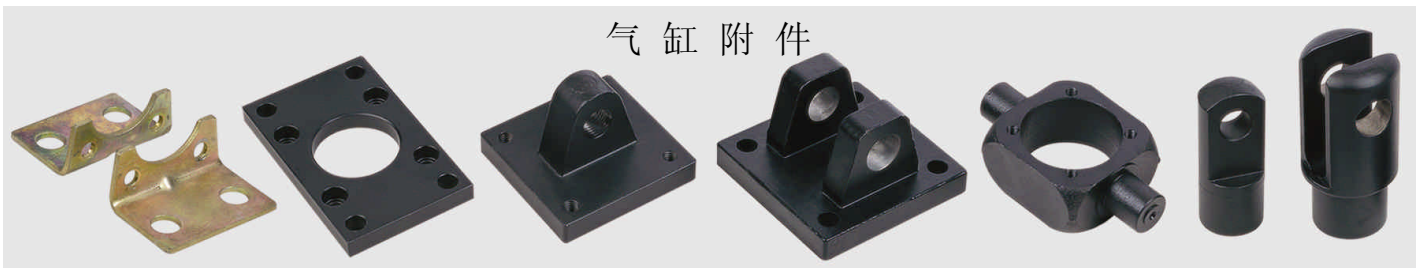


缓冲器

磁感应开关



气缸附件



脚架

法兰

单耳座

双耳座

中摆

接头

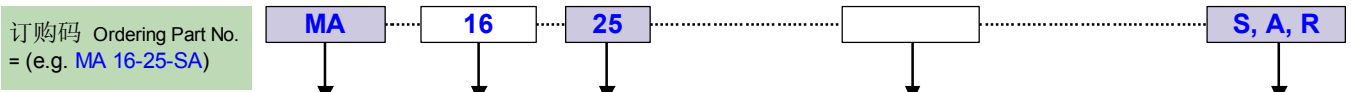
Y型接头



目录 Contents

STC 气缸数字系统 Air Cylinder Numbering System.....	F2
气缸支架尺寸 Cylinder Mounting Bracket Dimensions.....	F3
MA和MAL 系列圆形气缸尺寸 MA & MAL Series Round Cylinder Dimensions.....	F4-5
SC和SU 系列拉杆式气缸尺寸 SC & SU Series Tie Rod Cylinder Dimensions.....	F6
SDA 系列小型气缸尺寸 SDA Series Compact Cylinder Dimensions.....	F6
SDA/SSA/STA 系列小型气缸尺寸 SDA/SSA/STA Series Compact Cylinder Dimensions.....	F7

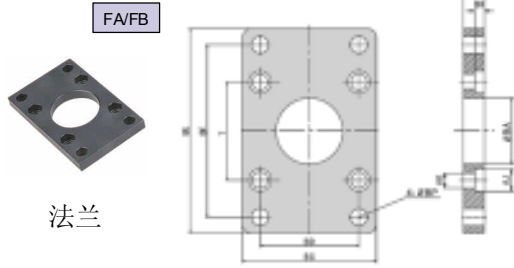
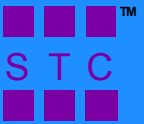
STC气缸数字系统 Air Cylinder Numbering System



型号 Model	缸径 Bore (mm)	行程 Stroke (mm)	支架 Mounting	选项 Options
MA 系列不锈钢圆形气缸 MA Series Stainless Steel Round Cylinder				
MA = 复动型 Double Acting	16	25-500	Blank = Front Nose Mount and Back Pivot Mount (Standard) U = Front Nose Mount LB = Foot Mount	S = Magnet for Hall Sensor J = 可调冲程长度 Adjustable Stroke Length (in MM) A = 空气缓冲 (保险杠标准) Air Cushion (Bumper Standard) R = 簧片开关 Reed Switch 5-240 V (DC/AC) 100 mA 10W
MAS = 单动型 Single Acting	20			
MAD = 双轴型 Double Shaft	25			
MAJ = 双轴可调型 Double Shaft with Adjustable Stroke	40			
MAL 系列铝制圆形气缸 MAL Series Aluminum Round Cylinder				
MAL = 复动型 Double Acting	16	25-500	Blank = Front Nose Mount and Back Pivot Mount (Standard) U = Front Nose Mount LB = Foot Mount	S = Magnet for Hall Sensor J = 可调冲程长度 Adjustable Stroke Length (in MM) A = 空气缓冲 (保险杠标准) Air Cushion (Bumper Standard) R = 簧片开关 Reed Switch 5-240 V (DC/AC) 100 mA 10W
MALS = 单动型 Single Acting	20			
MALD = 双轴型 Double Shaft	25			
MALJ = 双轴可调型 Double Shaft with Adjustable Stroke	40			
SC 系列拉杆式气缸 SC Series Tie-Rod Cylinder				
SC = 复动型 Double Acting	32	25-1000	FA = Front Flange Type FB = Back Flange CA = Pivot Bracket with Pin CB = Clevis Bracket with Pin LB = Foot Mount TC = Swing Type TCM = Swinging Type attaching foot seat	S = Magnet for Hall Sensor J = 可调冲程长度 Adjustable Stroke Length (in MM) A = 空气缓冲 (保险杠标准) Air Cushion (Bumper Standard) R = 簧片开关 Reed Switch 5-240 V (DC/AC) 100 mA 10W
SCA = 单动型 Single Acting	40			
SCD = 双轴型 Double Shaft	50			
SCJ = 双轴可调型 Double Shaft with Adjustable Stroke	63			
	80			
	100			
SU 系列附件拉杆式气缸 SU Series Enclosed Tie-Rod Cylinder				
SU = 复动型 Double Acting	32	25-1000	FA = Front Flange Type FB = Back Flange CA = Pivot Bracket with Pin CB = Clevis Bracket with Pin LB = Foot Mount TC = Swing Type TCM = Swinging Type attaching foot seat	S = Magnet for Hall Sensor J = 可调冲程长度 Adjustable Stroke Length (in MM) R = 簧片开关 Reed Switch 5-240 V (DC/AC) 100 mA 10W
SUA = 单动型 Single Acting	40			
SUD = 双轴型 Double Shaft	50			
SUJ = 双轴可调型 Double Shaft with Adjustable Stroke	63			
	80			
	100			
SDA 系列紧凑型气缸 SDA Series Compact Round Cylinder				
SDA = 复动型 Double Acting	12	25-1000	FA = Front Flange Type FB = Back Flange CA = Pivot Bracket with Pin CB = Clevis Bracket with Pin LB = Foot Mount TC = Swing Type TCM = Swinging Type attaching foot seat	S = Magnet for Hall Sensor J = 可调冲程长度 Adjustable Stroke Length (in MM) R = 簧片开关 Reed Switch 5-240 V (DC/AC) 100 mA 10W
SSA = 单动型 Single Acting	16			
STA = 回动型 Reverse Acting	20			
SDAD = 双轴型 Double Shaft	25			
	32			
	40			
	50			
	63			
	80			
	100			

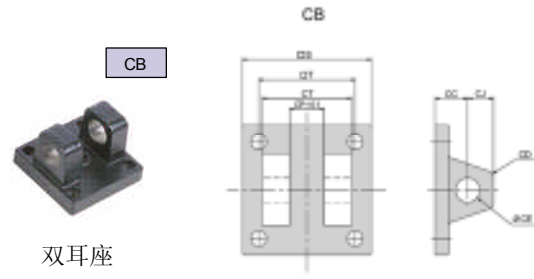
型号 Part No.	说明 Description	规格 Specifications
AL-11R-MA	MA 圆形式气缸 Reed Switch for MA cylinder	簧片开关 Reed Switch 5-240 V (DC/AC) 100 mA 10W
AL-11R-MAL	MAL 圆形式气缸 Reed Switch for MAL cylinder	
AL-11R-SC	SC 拉杆式气缸 Reed Switch for SC cylinder	
AL-11R-SDA	SDA 紧凑型气缸 Reed Switch for SDA cylinder	
AL-11R-SU	SU 拉杆式气缸 Reed Switch for SU cylinder	

气缸支架尺寸 Cylinder Mounting Bracket Dimensions



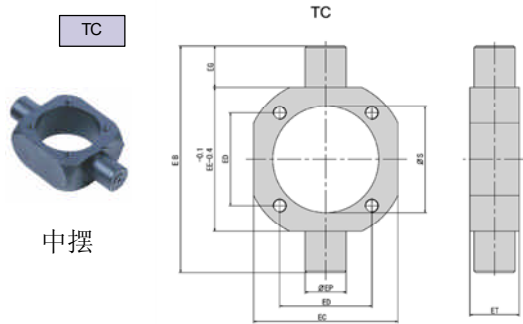
法兰

FA/FB (Front or Back Flange)									
槽径Bore	32	40	50	63	80	100	125	160	200
BA	28.3	32.3	38.3	38.3	47.3	47.5	56	63	81
BB	10	10	10	12	16	16	20	25	25
BC	47	52	65	76	95	115	140	180	220
BD	33	36	47	56	70	84	90	115	135
BE	72	84	104	116	143	162	224	280	320
BF	58	70	86	98	119	138	180	230	270
BG	6.5	6.5	6.5	8.5	11	11	15	20	20
BH	11	11	14	14	17	17	19	25	25
AJ	6.5	6.5	8.5	8.5	11	11	13	17	17
BP	7	7	9	9	12	12	16	18	22
T	33	37	47	56	70	84	110	140	175



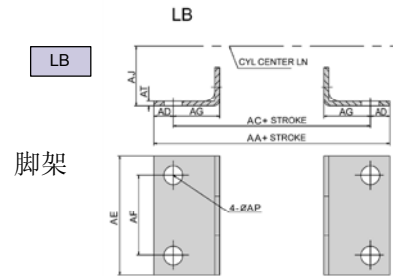
双耳座

CB (Double Rear Clevis Bracket with Pin)									
槽径Bore	32	40	50	63	80	100	125	160	200
CC	19	19	19	19	32	32	50	55	60
CD	5	5	3	3	8	8	25	30	30
CE	12	14	14	14	20	20	25	30	30
CJ	13	13	15	15	21	21	25	30	30
CP	16	21	20	20	32	32	70	90	90
CT	32	44	52	52	64	64	120	160	160
PAI	41	52	60	60	74	74	130	170	170
PBI	34	46	54	54	66	66	122	162	162
S	48	50	62	75	94	112	140	180	220
T	33	37	47	56	70	84	110	140	175



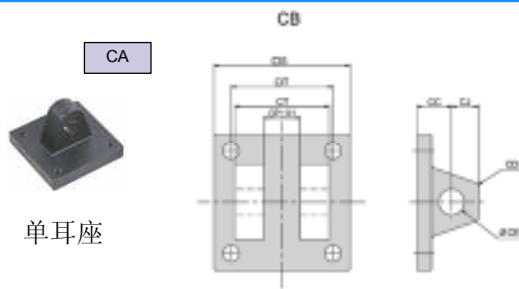
中摆

TC (Center Trunnion)								
槽径Bore	40	50	63	80	100	125	160	200
EB	113	126	138	164	182	210	264	336
EC	63	76	88	114	132	160	200	240
ED	37	47	56	70	84	110	140	175
EE	63	76	88	114	132	160	200	240
EG	25	25	25	25	25	25	32	48
EP	25	25	25	25	25	25	32	38
ET	30	30	30	30	30	30	38	44
S	46	56	69	88	108	135	173	213



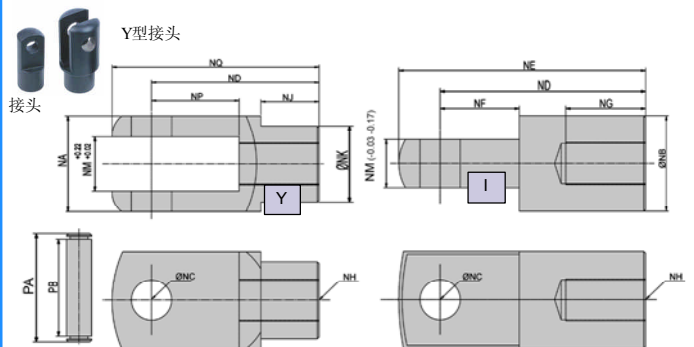
脚架

LB (Foot Mount)									
槽径Bore	32	40	50	63	80	100	125	160	200
AA	153	169	173	184	200	210	249	328	380
AC	134	140	149	158	168	174	213	288	320
AD	9.5	15	12	12	16	18	18	20	30
AE	50	57	68	80	97	112	140	180	220
AF	33	36	47	56	70	84	90	115	135
AG	21	24	28	31	30	30	45	60	70
AJ	28	30	37	41	49	57	90	115	135
AP	9	12	12	12	14	14	16	18	22
AT	3.2	3.2	3.2	3.2	4	4	8	8	10



单耳座

CA (Single Rear Clevis with Pin)									
槽径Bore	32	40	50	63	80	100	125	160	200
S	48	50	62	75	94	112	140	180	220
T	33	37	47	56	70	84	110	140	175
DC	34	34	34	34	48	48	50	55	60
DD	14	14	15	15	20	20	25	30	30
DE	12	14	14	14	20	20	25	30	30
DL	14	14	15	15	20	20	25	30	30
DQ	16	20	20	20	32	32	70	90	90

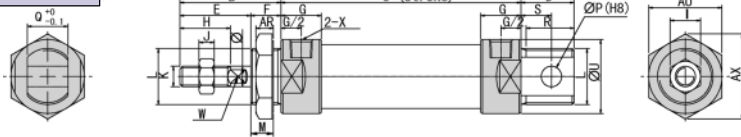


Y (Rod Clevis with Pin), I (Rod Pivot with Pin)															
	NA	NB	NC	ND	NE	NF	NG	NH	NJ	NK	NM	NP	NQ	PA	PB
32	19	20	10	40	52	15	20	M10X1.25	12	18	10	20	52	26	20
40	25	24	12	48	67	24	20	M12X1.25	20	23	12	24	62	33	27
50	32	32	16	64	89	32	23	M16X1.5	22	30	16	32	83	39	33
63	32	32	16	64	89	32	23	M16X1.5	22	30	16	32	83	39	33
80	44	40	20	80	112	40	30	M20X1.5	30	39	20	40	105	53	45
100	44	40	20	80	112	40	30	M20X1.5	30	39	20	40	105	53	45

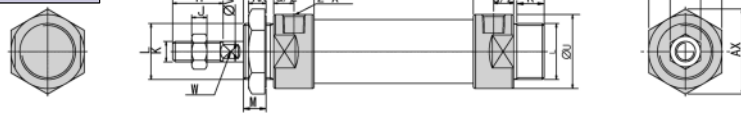
MA系列不锈钢圆形气缸尺寸

MA Series Stainless Steel Round Cylinder Dimensions

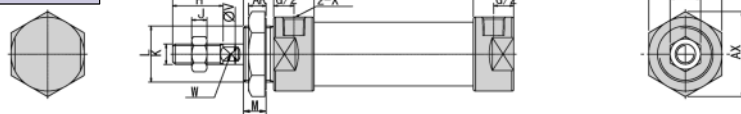
MA-CA



MA-CM

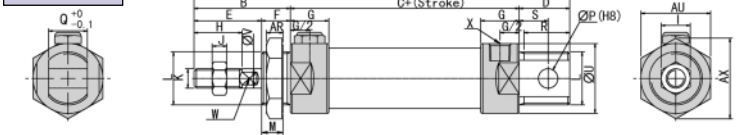


MA-U

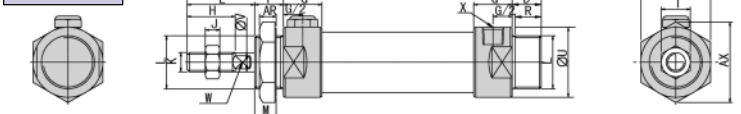


型号 Model MA														
槽径 Bore	A	A1	A2	B	C	D	D1	E	F	G	H	I	J	K
16	114	114	98	38	60	15	15	22	16	10	16	10	5	M6 X 1
20	137	128	116	40	76	21	12	28	12	16	20	12	6	M8 X 1.25
25	141	134	120	44	76	21	14	30	14	16	22	17	6	M10 X 1.25
32	147	134	120	44	76	27	14	30	14	16	22	17	6	M10 X 1.25
40	149	136	122	46	76	27	14	32	14	16.7	24	17	7	M12 X 1.25
槽径 Bore	L	M	P	Q	R	R1	S	U	V	W	X	AR	AX	AY
16	M16 X 1.5	14	6	12	14	14	9	21	6	5	M5	6	24	28
20	M22 X 1.5	10	8	16	19	12	12	27	8	6	G1/8	7	33	29
25	M22 X 1.5	12	8	16	19	14	12	30	10	8	G1/8	7	33	29
32	M24 X 2.0	12	10	16	25	14	15	35	12	10	G1/8	8	37	32
40	M30 X 2.0	12	12	20	25	14	15	42	16	14	G1/8	9	47	41

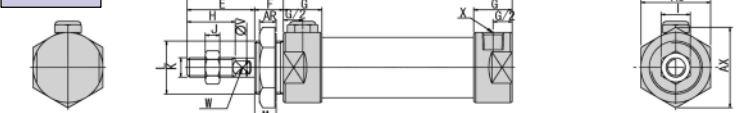
MSA-CA



MSA-CM



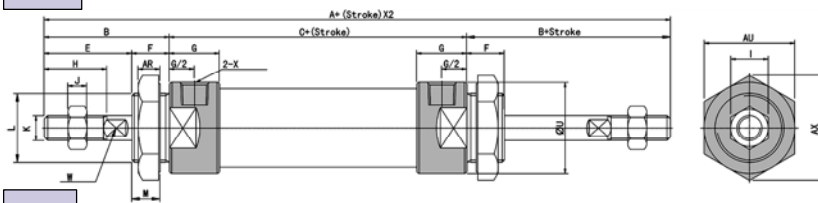
MSA-U



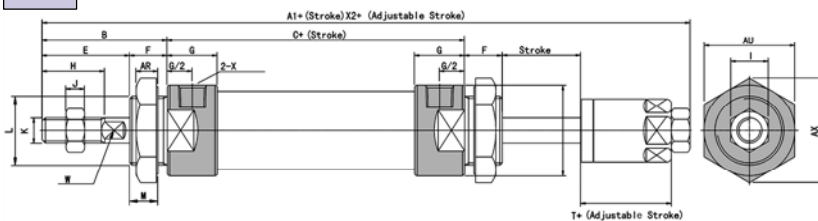
符号 Symbol	A	A1	A2	B	C		D	D1	E	F	G	H	I			
槽径 Bore	0-50	51-100	0-50	51-100	0-50	51-100	0-50	51-100	0-50	51-100	0-50	51-100	0-50	51-100		
20	137	162	128	153	116	141	40	76	101.0	21	12	28	12	16	20	12
25	141	166	134	159	120	145	44	76	101.0	21	14	30	14	16	22	17
32	147	172	134	159	120	145	44	76	101.0	27	14	30	14	16	22	17
40	149	174	136	161	122	147	46	76	101.0	27	14	32	14	22	24	17

符号 Symbol	J	K	L	M	P	Q	R	S	U	V	W	X	AR	AX	AY	
20	6	M8 X 1.25	M22 X 1.5	10	8	16	19	12	12	27	8	6	G1/8	7	33	29
25	6	M10 X 1.25	M22 X 1.5	12	8	16	19	14	12	30	10	8	G1/8	7	33	29
32	6	M10 X 1.25	M24 X 2.0	12	10	16	25	14	15	35	12	10	G1/8	8	37	32
40	7	M12 X 1.25	M30 X 2.0	12	12	20	25	14	15	41.6	16	14	G1/8	9	47	41

MAD



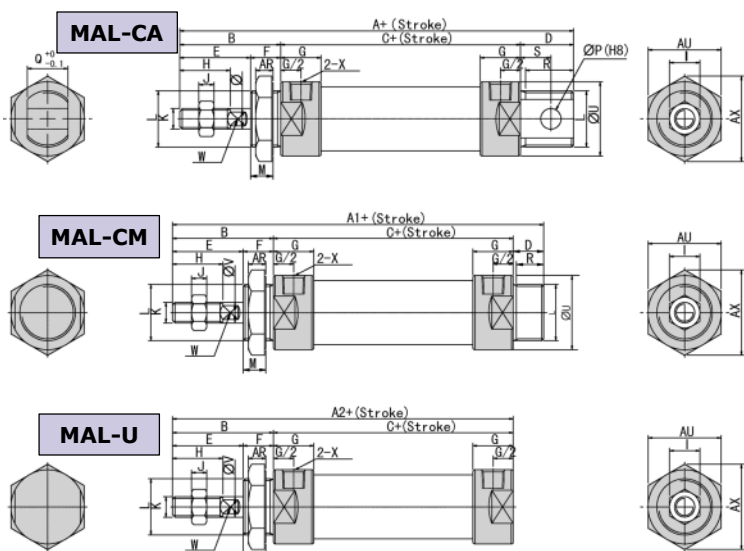
MAJ



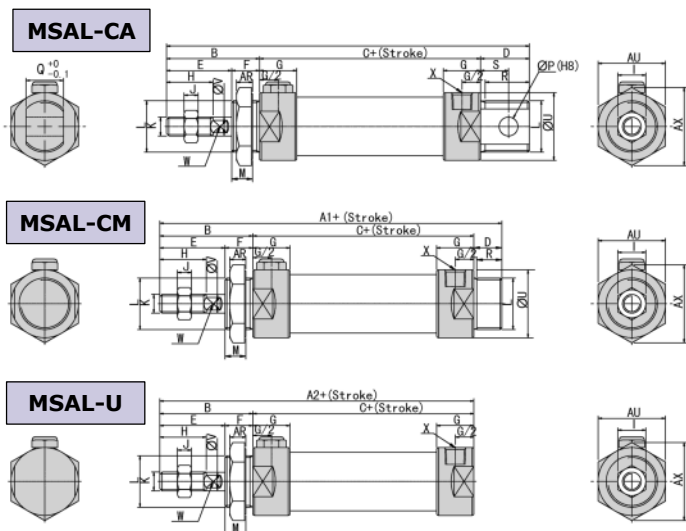
槽径 Bore	A	A1	B	C	E	F	G	H	I	J	K
20	156	153	40	70	28	12	16	20	12	6	M8 X 1.25
25	164	161	44	70	30	14	16	22	17	6	M10 X 1.25
32	164	161	44	70	30	14	16	22	17	6	M10 X 1.25
40	168	164	46	92	32	14	22	24	17	7	M12 X 1.25
槽径 Bore	L	M	U	V	W	X	AR	AX	AY	T	
20	M22 X 1.5	10	29	8	6	G1/8	7	33	29	19	
25	M22 X 1.5	12	34	10	8	G1/8	7	33	29	21	
32	M24 X 1.5	12	39.5	12	10	G1/8	8	37	32	21	
40	M30 X 2.0	12	49.5	16	14	G1/4	9	47	41	21	

MAL 系列圆形铝制气缸尺寸

MAL Series Aluminum Round Cylinder Dimensions

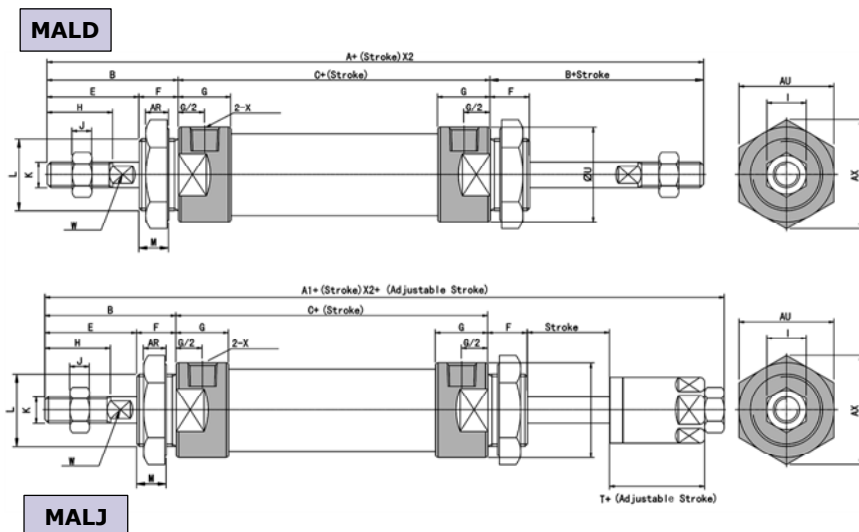


槽径 Bore	A	A1	A2	B	C	D	D1	E	F	G	H	I	J	K
16	104	104	90	38	52	15	15	24	14	11	16	10	5	M6 X 1
20	131	122	110	40	70	21	12	28	12	16	20	12	6	M8 X 1.25
25	135	128	114	44	70	21	14	30	14	16	22	17	6	M10 X 1.25
32	141	128	114	44	70	27	14	30	14	16	22	17	6	M10 X 1.25
40	165	152	138	46	92	27	14	32	14	22	24	17	7	M12 X 1.25
槽径 Bore	L	M	P	Q	R	R1	S	U	V	W	X	AR	AX	AY
16	M16 X 1.5	8	6	12	13	13	6	20	6	/	M5	7	24	28
20	M22 X 1.5	10	8	16	19	12	12	29	8	6	G1/8	7	33	29
25	M22 X 1.5	12	8	16	19	14	12	34	10	8	G1/8	7	33	29
32	M24 X 2.0	12	10	16	25	14	15	40	12	10	G1/8	8	37	32
40	M30 X 2.0	12	12	20	25	14	15	50	16	14	G1/4	9	47	41



符号 Symbol	A		A1		A2		B	C		D	D1	E	F	G	H	I
槽径 Bore	0~50	51~100	0~50	51~100	0~50	51~100		0~50	51~100							
20	131	156	122	147	110	135	40	70	95	21	12	28	12	16	20	12
25	135	160	128	153	114	139	44	70	95	21	14	30	14	16	22	17
32	141	166	128	153	114	139	44	70	95	27	14	30	14	16	22	17
40	165	190	152	177	138	163	46	92	117	27	14	32	14	22	24	17

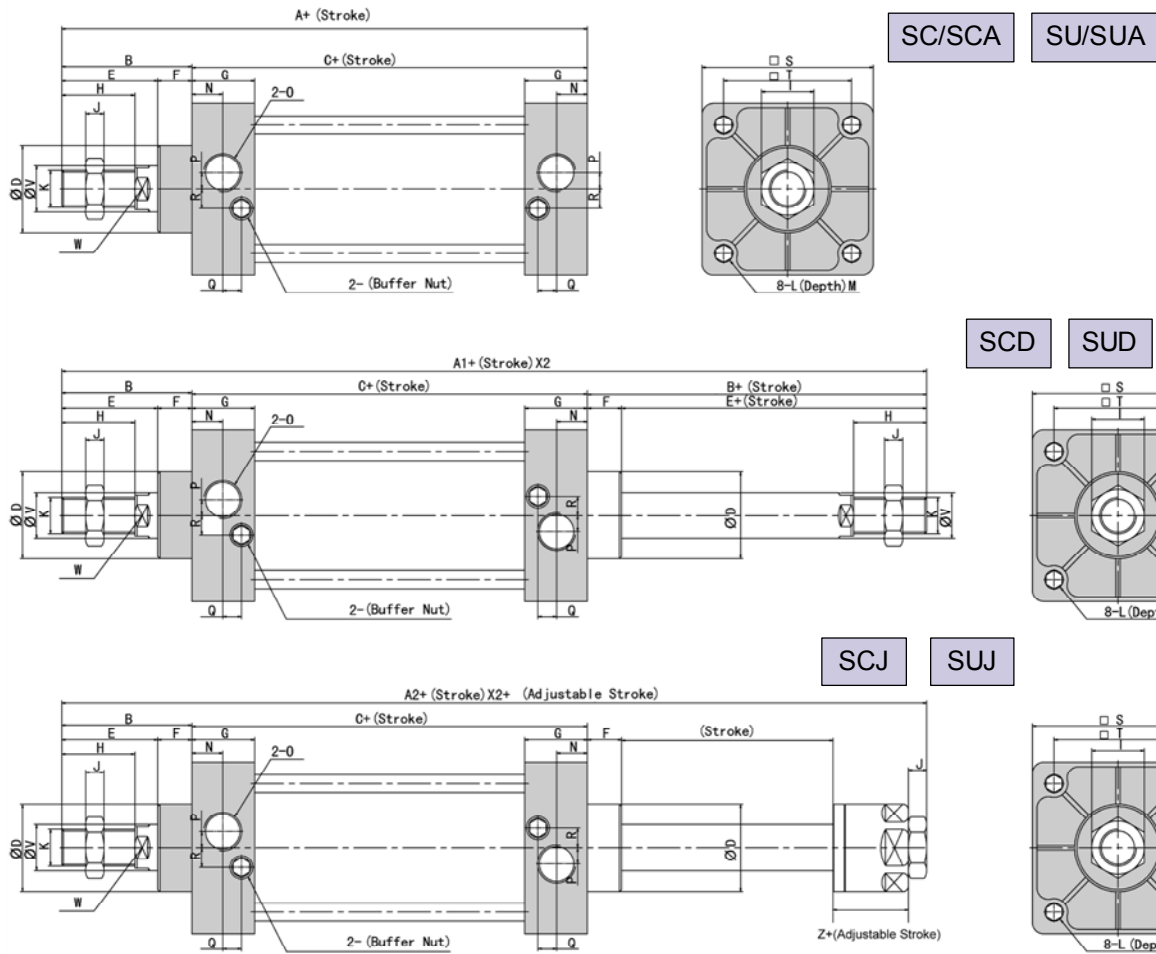
槽径 Bore	J	K	L	M	P	Q	R	R1	S	U	V	W	X	AR	AX	AY
20	6	M8 X 1.25	M22 X 1.5	10	8	16	19	12	12	29	8	6	G1/8	7	33	29
25	6	M10 X 1.25	M22 X 1.5	12	8	16	19	14	12	34	10	8	G1/8	7	33	29
32	6	M10 X 1.25	M24 X 2.0	12	10	16	25	14	15	39.5	12	10	G1/8	8	37	32
40	7	M12 X 1.25	M30 X 2.0	12	12	20	25	14	15	49.5	16	14	G1/4	9	47	41



槽径 Bore	A	A1	B	C	E	F	G	H	I	J	K
20	131	122	40	70	28	12	16	20	12	6	M8 X 1.25
25	135	128	44	70	30	14	16	22	17	6	M10 X 1.25
32	141	128	44	70	30	14	16	22	17	6	M10 X 1.25
40	165	152	46	92	32	14	22	24	17	7	M12 X 1.25
槽径 Bore	L	M	U	V	W	X	AR	AX	AY	T	
20	M22 X 1.5	10	29	8	6	G1/8	7	33	29	19	
25	M22 X 1.5	12	34	10	8	G1/8	7	33	29	21	
32	M24 X 2.0	12	39.5	12	10	G1/8	8	37	32	21	
40	M30 X 2.0	12	49.5	16	14	G1/4	9	47	41	21	

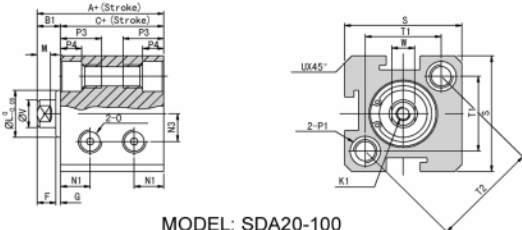
SC和SU系列拉杆式气缸尺寸 | SDA 系列小型气缸尺寸

& SU Series Tie Rod Cylinder Dimensions | SDA Series Compact Cylinder Dimensions

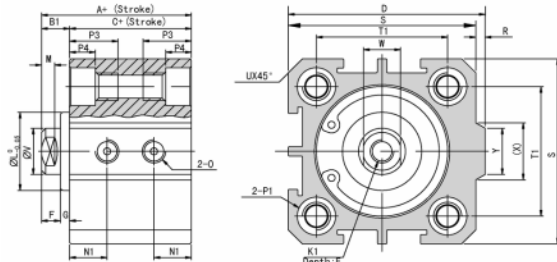


槽径BORE	A	A1	A2	B	C	D	E	F	G	H	I	J	K	L	M	N	O	P	Q	R	S	T	V	W	Z
32	140	187	182	47	93	28	32	15	27.5	22	17	6	M10X1.25	M6X1	9.5	13.5	1/8	3.5	7.5	7	45	33	12	12	21
40	142	191	185	48	93	32	34	15	27.5	24	17	7	M12X1.25	M6X1	9.5	13.5	1/4	6	8.2	9	50	37	16	14	21
50	150	207	196	57	93	38	42	15	27.5	32	23	8	M16X1.25	M6X1	9.5	13.5	1/4	8.5	8.2	9	62	47	20	17	23
63	153	210	199	57	96	38	42	15	27.5	32	23	8	M16X1.25	M8X1.25	9.5	13.5	3/8	7	8.2	8.5	75	56	20	17	23
80	183	258	243	75	108	47	54	21	33	40	26	10	M20X1.25	M10X1.5	11.5	16.5	3/8	10	9.5	14	94	70	25	22	29
100	189	264	249	75	114	47	54	21	33	40	26	10	M20X1.25	M10X1.5	11.5	16.5	1/2	11	9.5	14	112	84	25	22	29
125	226	/	/	104	122	55	70	34	33	54	40	10	M27X1.25	M12X1.75	15.5	16.5	1/2	/	/	/	140	110	32	27	/
160	291	/	/	123	168	62	91	32	50	72	55	18	M36X1.25	M16X2	17.5	25	1/2	/	/	/	180	140	40	36	/
200	347	/	/	167	180	80	112	55	50	72	55	18	M36X1.25	M16X2	17.5	25	3/4	/	/	/	220	175	40	36	/

MODEL: SDA12-16



MODEL: SDA20-100

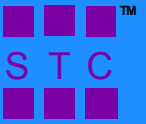


槽径Bore	SDA			标准型Standard Type			附磁性With Magnet			D	E	F	G	K1	L
	A	B1	C	A	B1	C	A	B1	C						
12	22	5	17	32	5.5	27	-	6	4	1	M3X0.5	10.2			
16	24	5.5	18.5	34	5.5	28.5	-	6	4	1.5	M3X0.5	11			
20	25	5.5	19.5	35	5.5	29.5	36	8	4	1.5	M4X0.7	16			
25	27	6	21	37	6	34	42	10	4	2	M5X0.8	17			
32	31.5	7	24.5	41.5	7	34.5	50	12	4	3	M6X1	22			
40	33	7	26	43	7	36	58.5	12	4	3	M8X1.25	28			
50	37	9	28	47	9	38	71.5	15	5	4	M10X1.5	38			
63	41	9	32	51	9	42	84.5	15	5	4	M10X1.5	40			
80	52	11	41	62	11	51	104	15	6	5	M14X1.5	45			
100	63	12	51	73	12	61	124	18	7	5	M18X1.5	55			

槽径Bore	M	N1	N3	O	P1/DIA	P3	P4	R	S	T1	T2	U	V	W	X	Y
12	2.8	6.3	6	M5X0.8	M5X0.8X4.2	12	4.5	-	25	16.2	23	1.6	6	5	-	-
16	2.8	7.3	6.5	M5X0.8	M5X0.8X4.2	12	4.5	-	29	19.8	28	1.6	6	5	-	-
20	2.8	7.5	-	M5X0.8	M5X0.8X4.2	14	4.5	2	34	24	-	2.1	8	6	11.3	10
25	2.8	8	-	M5X0.8	M6X1.0X4.6	15	5.5	2	40	28	-	3.1	10	8	12	10
32	2.8	9	-	1/8	M6X1.0X4.6	16	5.5	6	44	34	-	2.15	12	10	18.3	15
40	2.8	10	-	1/8	M8X1.25X6.5	20	7.5	6.5	52	40	-	2.25	16	14	21.3	16
50	2.8	10.5	-	1/4	M8X1.25X6.5	25	8.5	9.5	62	48	-	4.15	20	17	30	20
63	2.8	11.8	-	1/4	M8X1.25X6.5	25	8.5	9.5	75	60	-	3.15	20	17	28.7	20
80	4	14.5	-	3/8	M12X1.75X9.2	25	10.5	10	94	74	-	3.65	25	22	36	26
100	4	20.5	-	3/8	M12X1.75X11.3	30	13	10	114	90	-	3.65	32	27	35	26

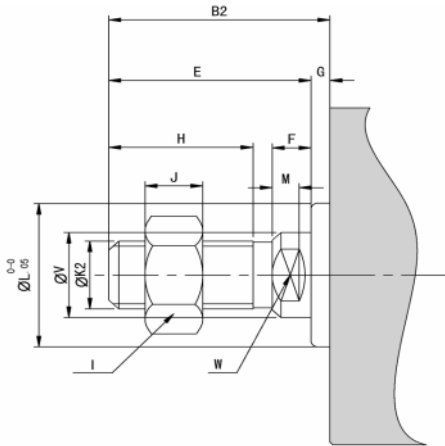
SDA/SSA/STA 系列小型气缸杆尺寸

SDA/SSA/STA Series Compact Cylinder Shaft Dimensions



SDA/SSA/STA 系列小型气缸杆尺寸

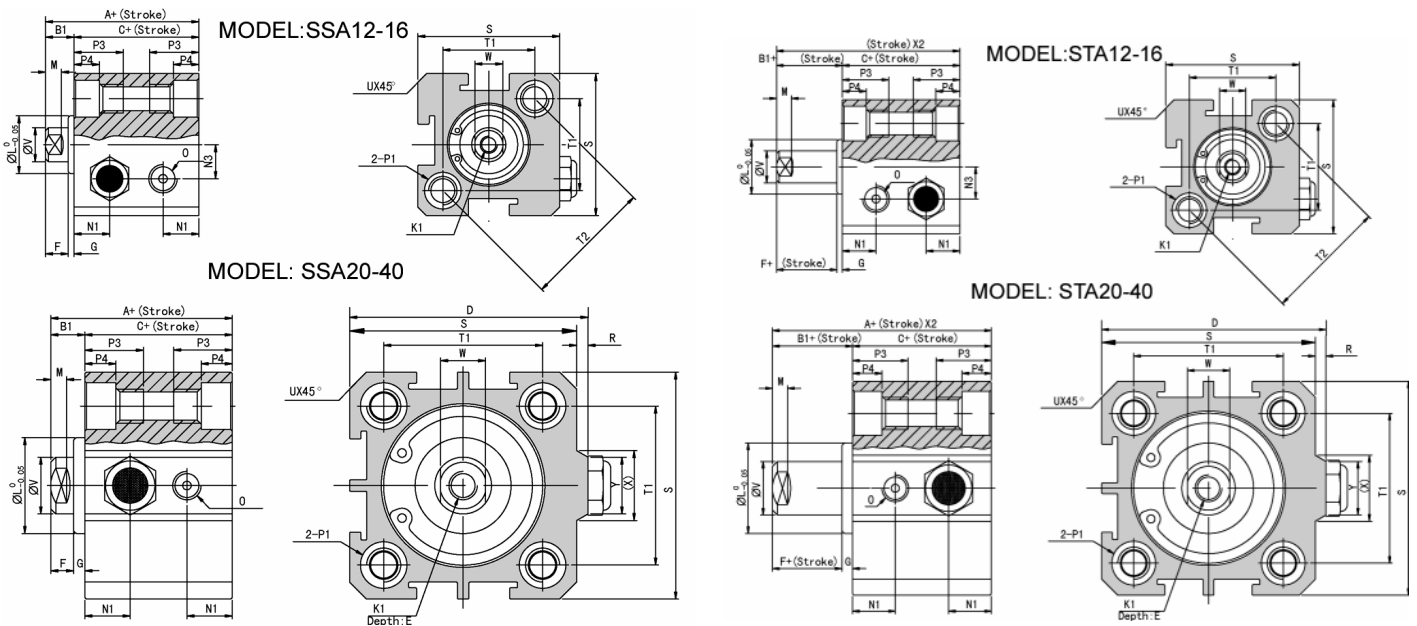
SDA/SSA/STA Series Compact Cylinder Shaft Dimensions



槽径 Bore	B2	E	F	G	H	I	J	K2	L	M	V	W
12	17	16	4	1	10	8	4	M5X0.8	10.2	2.8	6	5
16	17.5	16	4	1.5	10	8	4	M5X0.8	11	2.8	6	5
20	20.5	19	4	1.5	13	10	5	M6X1	16	2.8	8	6
25	23	21	4	2	15	12	6	M10X1.25	17	2.8	10	8
32	25	22	4	3	15	17	6	M14X1.5	22	2.8	12	10
40	35	32	4	3	25	19	8	M18X1.5	28	2.8	16	14
50	37	33	5	4	25	27	11	M18X1.5	38	2.8	20	17
63	37	33	5	4	25	27	11	M22X1.5	40	2.8	20	17
80	44	39	6	5	30	32	13	M22X1.5	45	4	25	22
100	50	45	7	5	35	36	13	M26X1.5	55	4	32	27

SSA/STA 系列小型气缸尺寸

SSA/STA Series Compact Cylinder Dimensions



符号 Symbol	标准型 Standard Type				附磁的活塞 With Magnetic Piston								D	E	F	G	K1	L	M	N1	N3	O	P1/孔/直径 P1/Hole Dia.	P3	P4	R	S	T1	T2	U	V	W	X	Y
	A	B1	C		A	B1		C																										
行程 Stroke	≤10	>10	≤10	>10	≤10	>10	≤10	>10	≤10	>10	≤10	>10	≤10	>10	≤10	>10	≤10	>10	≤10	>10	≤10	>10	≤10	>10	≤10	>10	≤10	>10	≤10	>10	≤10	>10	≤10	>10
12	32	42	5	27	37	42	52	5	37	47	-	6	4	1	M3X0.5	10.2	2.8	6.3	6	M5X0.8	M5X0.8X4.2	12	4.5	-	25	16.2	23	1.6	6	5	-	-		
16	34	44	5.5	28.5	38.5	44	54	5.5	38.5	48.5	-	6	4	1.5	M3X0.5	11	2.8	7.3	6.5	M5X0.8	M5X0.8X4.2	12	4.5	-	29	19.8	28	1.6	6	5	-	-		
20	35	45	5.5	29.5	39.5	45	55	5.5	39.5	49.5	36	8	4	1.5	M4X0.7	16	2.8	7.5	-	M5X0.8	M5X0.8X4.2	14	4.5	2	34	24	-	2.1	8	6	11.3	10		
25	37	47	6	34	41	47	57	6	41	51	42	10	4	2	M5X0.8	17	2.8	8	-	M5X0.8	M6X1.0X4.6	15	5.5	2	40	28	-	3.1	10	8	12	10		
32	41.5	51.5	7	34.5	44.5	51.5	61.5	7	44.5	54.5	50	12	4	3	M6X1	22	2.8	9	-	1/8	M6X1.0X4.6	16	5.5	6	44	34	-	2.15	12	10	18.3	15		
40	43	53	7	36	46	53	63	7	46	56	58.5	12	4	3	M8X1.25	28	2.8	10	-	1/8	M8X1.25X6.5	20	7.5	6.5	52	40	-	2.25	16	14	21.3	16		

SEE TOP OF PAGE FOR SHAFT DIMENSIONS

StcValve® 条款及条件 Terms and Conditions

货运 SHIPMENTS:

除非得到购买公司的货运指示, 我公司将会采用其他最好的运送方式, 对于货物在运送公司或买方在运送期中的延误, 遗失和损坏的责任问题, 买方应购买运送保险来保护在运送期间所造成的遗失和损坏。

All shipments are F.O.B. STC Shipping Points. Unless instructions accompany order, shipment will be made Best Way. The responsibility for goods delay, lost or damaged in transit rests with the carrier and purchaser. Purchaser may purchase shipping insurance to cover lost or damaged products caused by shipping.

商品的退还 RETURN OF MERCHANDISE:

所有的货品超过递送日的30天后就不能够退还, 运送出的定单货物在没有卖方预先授权数字单据否认退款, 如公司能接受退还的货品, 公司会收取货价20%作为再上架费用, 而退货的运费, 则由买方支付. 货品如是STC公司出错导致退还或重发, STC公司则负责平递(地面)的运费。

No merchandise is accepted for return 30 days after delivery date. No credit allowed on merchandise shipped as ordered and returned without obtaining an authorization number IN ADVANCE. A 20% restocking charge applies to all returns, and transportation charges must be fully prepaid. We will pay ground transportation charges on re-sent or returned merchandise due to STC's error.

货品短缺和错误运送 Shortages & Mis-Shipments:

任何货品的短缺或错误运送要在15天内向卖方公司报告 Any shortages or mis-shipment must be reported within 15 days.

汇款应送到 Remittances should be sent to:

Sizto Tech Corporation, 892 Commercial Street, Palo Alto, CA 94303, USA (US & International Orders)

余姚 司徒气动元件有限公司 浙江省 余姚市 阳明科技工业园区 舜宇路 87号 邮编:315400 (中国购买)

信用卡付款Credit Card Payments: STC公司接受万事达卡. Visa. Master Card, Discover 和 American Express .

国际客户 International Customers:

需要由银行电汇预付本票和认可批准的信用卡 Advance Payment Required via Bank Wire, Cashier's Check or Approved Credit Card.

信用申请 Credit Application:

要建立30天付款帐户, 请将3种有贸易参考资料连同有邮寄地址的户口帐号的文件邮寄或传真到我公司 To establish a net 30 day account, please mail or fax three trade references with complete mailing addresses and account numbers.

注意事项: 买方的保用范围 LIMITED WARRANTY – IMPORTANT NOTICE TO PURCHASER:

司徒科技公司保证产品在装船的时候, 材料和工艺方面都没有缺点. 保用期为1年, 由送出货品开始起记. STC公司有权采取对有缺陷的产品作出替换或以最初购买货品价格以现金偿还. 如经STC公司同意接受退还的货品, 买方可在30天内退还, 在被退回的货品, 所有有关退货的费用, 由买方支付. 然而, STC公司不会保用操作装置或在储藏期间疏忽造成的货品损坏。

Sizto Tech Corporation (STC) only warrants this product to be free from defects in materials and workmanship at the time of shipment. This limited warranty expires one year after delivery to the end-user. STC's entire obligation to the Purchaser for breach of this limited warranty shall be limited to replacement of the defective product or refund of the original purchase price of this product, at STC's option. Purchaser has thirty (30) days to return the goods after STC has agreed to accept the return. All freight charges on returned material shall be paid by the Purchaser. STC's limited warranty shall not apply, however, to the product that have been subjected to misuse, alteration, accident or negligence during handling or storage.

保用责任规范声明 DISCLAIMER OF IMPLIED WARRANTIES:

所有的保用意旨, 这行为可能引起法律牵连, 包括交易过程和贸易惯例, 但不限制对货品的保用或对某种货品适合度特别要求, 明确的排除, 至于在本文中描述以外的都不能得到保用, 使用者要负责私自请购对产品适合度的特别要求

All implied warranties, which may arise by implication of law or application of course of dealing or usage of trade, including, but not limited to, implied warranties of merchantability or fitness for a particular purpose are expressly excluded. There are no warranties, which extend beyond the description of the faced hereof. The end user is solely responsible for the suitability and fitness of this product selected for a particular application.

重要注意事项 IMPORTANT NOTICE:

所有的价格改变不会预先通知, 我们会不断的改良产品, 而我们会保留权利对产品作出更改详述, 而没有义务将新的因素改变规格纳入先前已售出的产品和设备. All prices are subject to change without notice. We continuously improve the products, and we reserve the right to change specifications without incurring any obligation to incorporate new factors in equipment previously sold.

Distributed By

余姚 司徒气动元件有限公司 (中国分公司)

浙江省 余姚市 阳明科技工业园区 舜宇路 87号 邮编:315400

电话: +86 574 6250 6166 | 传真: +86 574 6250 0687

电邮: china@StcValve.com | 网址: www.StcValve.com



StcValve®

892 Commercial Street, Palo Alto, CA 94303 USA

Tel: 650-856 8833 | Fax: 650-856 8811

Email: Sales@StcValve.com | www.StcValve.com